



MaxiMet

GILL

GMX200 Compact Weather Station

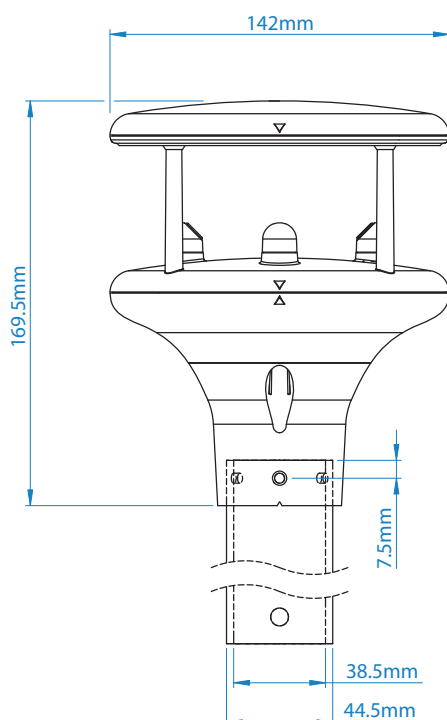
The MaxiMet range of compact weather stations is designed and manufactured by Gill Instruments. MaxiMet products use reliable, high quality instruments to provide accurate meteorological information in a wide variety of applications.

GMX200 Features

Wind. Wind speed and direction measurements are provided via an ultrasonic sensor and the addition of an electronic compass provides apparent wind measurements. Average speed and direction together with WMO averages and gust data is also provided. Add GPS (optional) to provide true wind and other features.



WIND	GPS (OPTION)	PARAMETERS
<ul style="list-style-type: none"> Wind speed & direction Apparent and true wind (with GPS) WMO wind averages and gust Compass GPS (optional) gives height above sea level, latitude and longitude 	<ul style="list-style-type: none"> Height above sea level <i>m</i> MSL pressure Sunrise/sunset Position of the sun Twilight Solar Noon 	<ul style="list-style-type: none"> Wind speed <i>m/s, km/hr, mph, kts, ft/min</i> Wind direction ° True/apparent wind Angle of Tilt Outputs <i>RS232, 422, 485 (ASCII), SDI-12, NMEA, MODBUS, Analogue (option)</i>



All MaxiMet Models Feature

- Quality Measurements
- Lightweight and Robust
- Low Power Mode
- Free of Charge Software
- Gill Proven Reliability
- Compact Integrated Design
- Real Time Output
- Easy Installation
- Gill Customer Support
- 2 Year Warranty

* Please see the manual for a full list of derived parameters



MaxiMet

GMX200 Compact Weather Station

Applications

- Building and Industrial Controls
- Authorities
- Transport
- Coastal
- Agricultural
- Safety
- Educational
- Commercial
- Energy

WIND SPEED	
Range	0.01 m/s to 60 m/s
Accuracy	± 3% to 40 m/s, ± 5% to 60 m/s
Resolution m/s	0.01
Starting Threshold	0.01 m/s
Sampling Rate	1 Hz
Units	m/s, km/hr, mph, kts, ft/min

WIND DIRECTION	
Range	0-360°
Accuracy	± 3° to 40 m/s ± 5° to 60 m/s
Resolution	1°
Starting Threshold	0.05 m/s
Sampling Rate	1 Hz
Units	Degrees

OUTPUTS	
Output rate	1/s, 1/min, 1/hr
Digital Comms Modes	Serial RS232, RS422, RS485, SDI-12, NMEA, MODBUS, ASCII
Analogue Outputs	Available via separate optional device

POWER	
Power Supply	5 to 30 Vdc
Power (Nominal) 12 Vdc	25 mA continuous high mode. 0.7 mA eco-power mode (1 hour polled)

ENVIRONMENTAL CONDITIONS	
IP Rating	66
Operational Temperature Range:	-35°C to +70°C
EMC Standard:	BS EN 61326-2-1:2013 FCC, CFR Title 47, Part 15, Subpart B, Class A digital device
CE Marking	YES
RoHS compliant	YES
Weight	0.5 Kg
Origin	UK

Specifications may be subject to change without prior notice

GILL

Gill Instruments Limited

 Saltmarsh Park, 67 Gosport Street
 Lymington, Hampshire SO41 9EG
 United Kingdom

Tel: +44 (0) 1590 613 500

contact@gillinstruments.com
gillinstruments.com

1957-004 Iss 9

Copyright © Gill Instruments 2022

 Gill Instruments Limited, Reg No. 2281574
 Registered Office: Towngate House, 2-8 Parkstone Road, Poole. BH15 2PW