

1

2

3

4

5

6

RevNo	Revision note	DIMENSIONS ARE IN MILLIMETERS			Date	Signature	Checked
-------	---------------	-------------------------------	--	--	------	-----------	---------

A

B

C

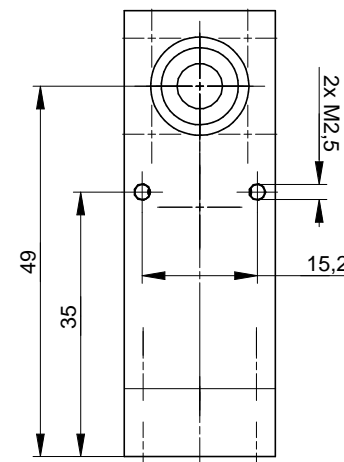
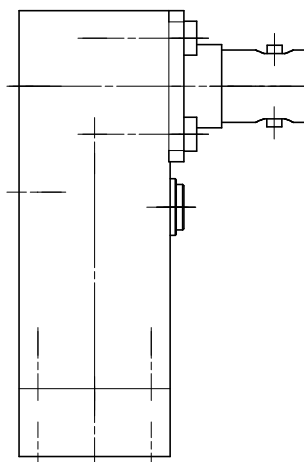
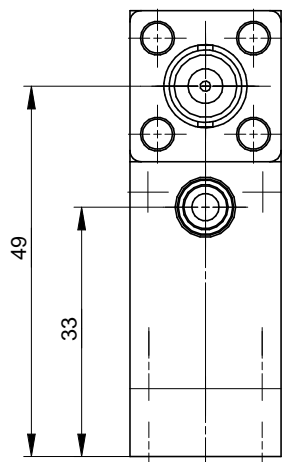
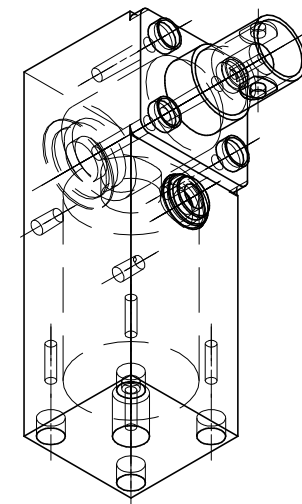
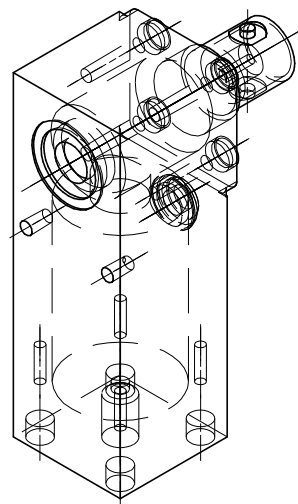
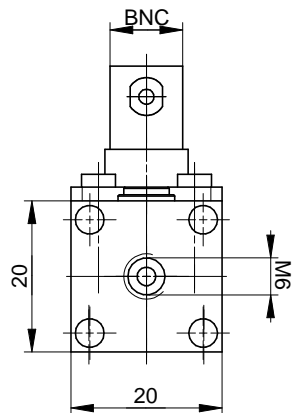
D

A

B

C

D



Itemref	Quantity	Title/Name, designation, material, dimension etc			Article No./Reference	
Drawn by JK	Checked by	Approved by - date	File name	Date 27.04.2009	Scale 1:1	

NO PART OF THIS DRAWING MAY BE REPRODUCED OR TRANSMITTED IN ANY FORM OR BY ANY MEANS INCLUDING PHOTOCOPYING OR RECORDING WITHOUT THE PRIOR WRITTEN PERMISSION OF ALPHALAS GMBH

PHOTODIODE - model UPD, BNC connector

ALPHALAS GmbH
Göttingen Germany

Edition 2.0
Sheet 1/1

1

2

3

6