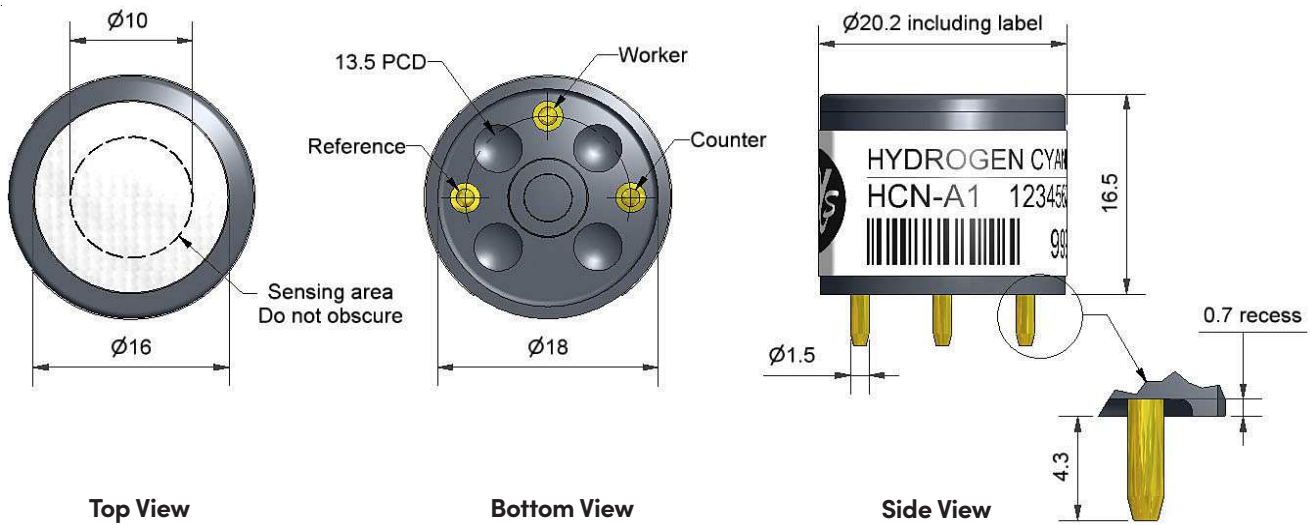


HCN-A1 Hydrogen Cyanide Sensor



Dimensions are in millimetres (± 0.15 mm).

Performance			
	Sensitivity	nA/ppm in 30ppm HCN	45 to 85
	Response time	t90 (s) from zero to 30ppm HCN	< 70
	Zero current	ppm equivalent in zero air	-2 to 10
	Resolution	RMS noise (ppm equivalent)	< 0.05
	Range	ppm HCN limit of performance warranty	100
	Linearity	ppm error at full scale, linear at zero, 40ppm HCN	4 to 8
	Overgas limit	maximum ppm for stable response to gas pulse	150

Lifetime			
	Zero drift	ppm equivalent change/year in lab air	nd
	Sensitivity drift	% change/year in lab air, monthly test	nd
	Operating life	months until 80% original signal (12-month warranted)	> 12

Environmental			
	Sensitivity @ -10°C	% (output @ -10°C/output @ 20°C) @ 30ppm HCH	75 to 95
	Sensitivity @ 50°C	% (output @ 50°C/output @ 20°C) @ 30ppm HCH	105 to 120
	Zero @ -20°C	ppm equivalent change from 20°C	< 0 to 1
	Zero @ 50°C	ppm equivalent change from 20°C	< ± 1

Cross-sensitivity				
	H ₂ S sensitivity	% measured gas @ 20ppm	H ₂ S	< 300
	NO ₂ sensitivity	% measured gas @ 10ppm	NO ₂	< -180
	Cl ₂ sensitivity	% measured gas @ 10ppm	Cl ₂	< -12
	NO sensitivity	% measured gas @ 50ppm	NO	< 1
	SO ₂ sensitivity	% measured gas @ 20ppm	SO ₂ (transient peak)	< 10 (transient)
	CO sensitivity	% measured gas @ 400ppm	CO	< 0.1
	H ₂ sensitivity	% measured gas @ 400ppm	H ₂	< 0.1
	C ₂ H ₄ sensitivity	% measured gas @ 400ppm	C ₂ H ₄	< 0.1
	NH ₃ sensitivity	% measured gas @ 20ppm	NH ₃	< 1
	CO ₂ sensitivity	% measured gas @ 5% volume	CO ₂	< 0.1

Key Specifications			
	Temperature range	°C	-30 to 50
	Pressure range	kPa	80 to 120
	Humidity range	% rh continuous	15 to 90
	Storage period	months @ 3 to 20°C (stored in original container)	6
	Load resistor	Ω (recommended)	10 to 33
	Bias voltage	mV	not required
	Weight	g	< 6

Figure 1 Sensitivity Temperature Dependence

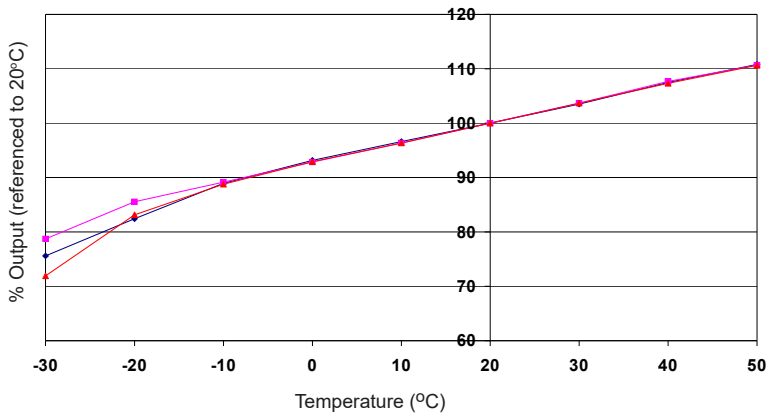


Figure 1 shows the variation in sensitivity caused by changes in temperature.
This data is taken from a typical batch of sensors.
The mean and $\pm 95\%$ confidence intervals are shown.

Figure 2 Zero Temperature Dependence

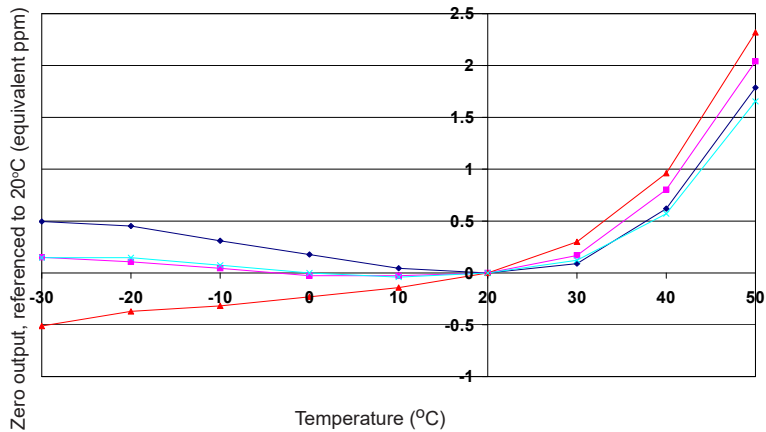
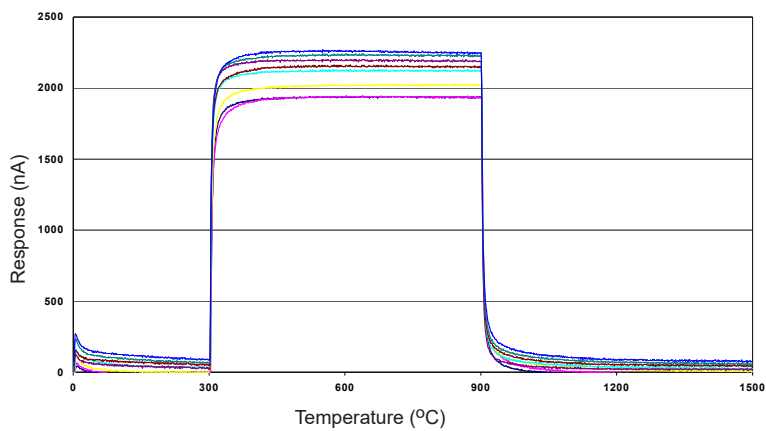


Figure 2 shows the variation in zero output caused by changes in temperature, expressed as ppm gas equivalent, referenced to zero at 20°C.
This data is taken from a typical batch of sensors.

Figure 3 Response to 30ppm HCN



The HCN-A1 shows fast response and stable output when exposed to 30ppm HCN.

At the end of the product's life, do not dispose of any electronic sensor, component or instrument in the domestic waste, but contact the instrument manufacturer, Alphasense or its distributor for disposal instructions. NOTE: all sensors are tested at ambient environmental conditions unless otherwise stated. As applications of use are outside our control, the information provided is given without legal responsibility. Customers should test under their own conditions, to ensure that the sensors are suitable for their own requirements.

In the interest of continued product improvement, we reserve the right to change design features and specifications without prior notification. The data contained in this document is for guidance only. Alphasense Ltd accepts no liability for any consequential losses, injury or damage resulting from the use of this document or the information contained within. (©ALPHASENSE LTD) Doc. Ref. HCN-A1/SEP22