

Buffered USB2.0 Monochrome 752x480 CMOS Cameras (10-bit)

(Part Numbers: BTN-BG04-U and BTE-BG04-U)

FEATURES

- Built-in frame buffer (23 frames @8bit and 4 frames @ 10bit at full resolution)
- True Global Shutter
- Support simultaneous image capturing from multiple cameras
- 4-pin GPIOs
- Higher sensitivity than color cameras especially in IR
- 752 x 480 active imaging pixels
- High-speed USB2.0 (480Mb/s)
- Digital output, no need for frame grabber
- Full-featured SDK
- DirectShow and TWAIN driver
- Linux driver available
- USB command set for non-Windows-based applications
- External and Software trigger
- Strobe output for external flash
- ROI & pixel skipping/binning
- No need for external power supply
- OEM versions available

APPLICATIONS

- Digital microscopy
- Machine vision
- Medical imaging
- Semiconductor equipment
- Test instruments
- Document scanners
- 2D barcode readers
- Web camera and security Video



PRODUCT DESCRIPTION

Mightex USB2.0 cameras with frame buffers are optimized for machine-vision applications, and they can be also used for a wide variety of applications (such as industrial inspections, digital microscopy and medical imaging) which require good quality cameras that are easy to use and cost-effective. These cameras have built-in frame buffers, external trigger-in, strobe-out, and a powerful camera engine that supports multiple cameras. Monochrome cameras often exhibit 20% higher spatial resolution than their color counterparts because no pixel interpolation is necessary. Since there is no Bayer color filter on the sensor, monochrome cameras are more sensitive than color sensors, especially in near IR and UV regions. Frame rate can be as high as 60 fps in full resolution and up to 600 fps using ROI mode. A user-friendly GUI based application software and an SDK are provided for custom software development. In addition, a DirectShow driver and a TWAIN driver are available to easily link the cameras with users' applications. A USB command set protocol and a Linux driver are also provided for non-Windows based applications.

PERFORMANCE SPECIFICATIONS

| Parameters | BTN-BG04-U | BTE-BG04-U | Unit |
|-----------------------------------|---|--|-----------|
| Board-level / enclosed | Board-level | Enclosed | |
| Number of GPIOs | 4 | 4 | |
| Resolution | 752 x 480 monochrome | | |
| CMOS Chip | 1/3" Micron MT9V032, global shutter (Micron TrueSNAP) | | |
| Pixel Size | 6.0 x 6.0 | | µm |
| Scanning System | Progressive | | |
| Dynamic Range | > 55 | | dB |
| Gray Level | 10 | | bit |
| Responsivity | 4.8 | | V/lux-sec |
| On-board Memory ("Frame Buffers") | 32 | | MB |
| Frame Rates* (@26MHz Clock) | 8 bit operation mode | 60 @752 x 480, 65 @640 x 480, 130 @320 x 240, 220 @160 x 120, 310 @64 x 64 | fps |
| | 10 bit operation mode | 36 @752 x 480, 44 @640 x 480, 130 @320 x 240, 220 @160 x 120, 310 @64 x 64 | |
| Sub Resolutions | Support arbitrary ROI (Nx, Ny), with Nx and Ny multiples of 4 | | |
| Shutter Speed (Exposure time) | 0.05 ~ 750 | | ms |
| Hardware Gains | 1x ~ 4x | | |
| Trigger Mode | With external trigger** | | |
| Strobe Out | Yes | | |
| Lens Mount | C- mount or CS-mount (M12.5-mount or custom-defined lens mount supported) | | |
| Built-in Filters | IR-cut (factory standard), no filter, or IR-pass | | |
| Power Consumption | < 1.8 | | W |
| Dimension | 51 x 51 x 29 (CS-mount) | 58 x 58 x 34 (CS-mount) | mm |
| | 51 x 51 x 34 (C-mount) | 58 x 58 x 39 (C-mount) | |
| Weight (excluding lens) | 80 | 150 | g |

* The actual achievable frame rate depends on exposure time, as well as available resources of PC system.

** Part number of the trigger cable for external trigger : ACC-CAM-DIN8

Buffered USB2.0 Monochrome 752x480 CMOS Cameras (10-bit)

(Part Numbers: BTN-BG04-U and BTE-BG04-U)

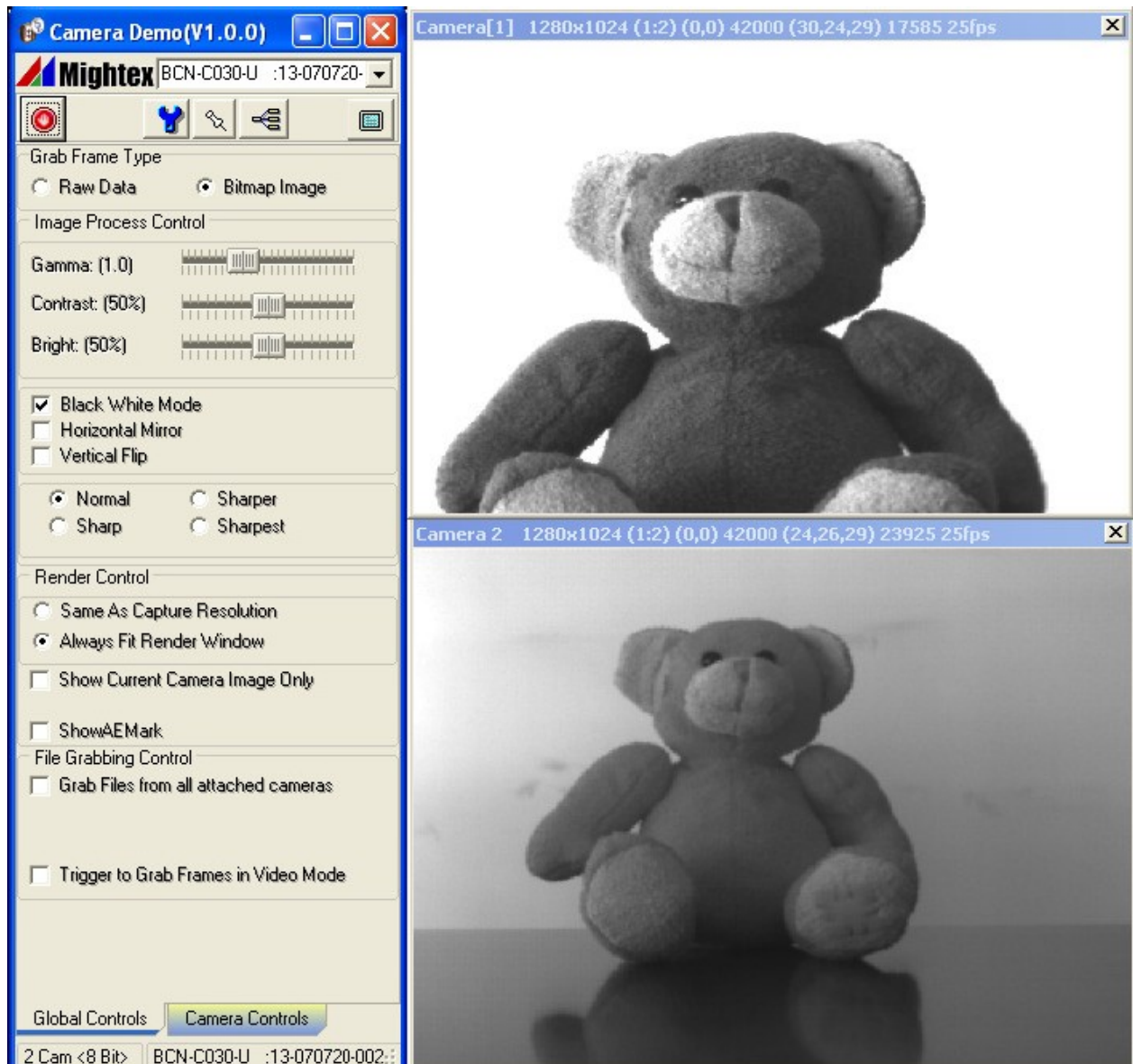
OPERATION CONDITION

Operating Temperature Range: 0°C ~ 45°C
Storage Temperature Range: -25°C ~ 85°C
Relative Humidity, Non-condensing: 5% ~ 95%

RECOMMENDED SYSTEM CONFIGURATION

Processor: Pentium III 900 MHz or better, or a compatible processor
Operating System: Windows 2000, XP, Vista, Windows 7 and 8
RAM: 256MB or greater
Hard Disk Space: 30MB for software installation, plus additional space for storing captured images
USB2.0 Host Controller: Intel integrated host controller (recommended)

EXAMPLE OF GRAPHICAL USER INTERFACE

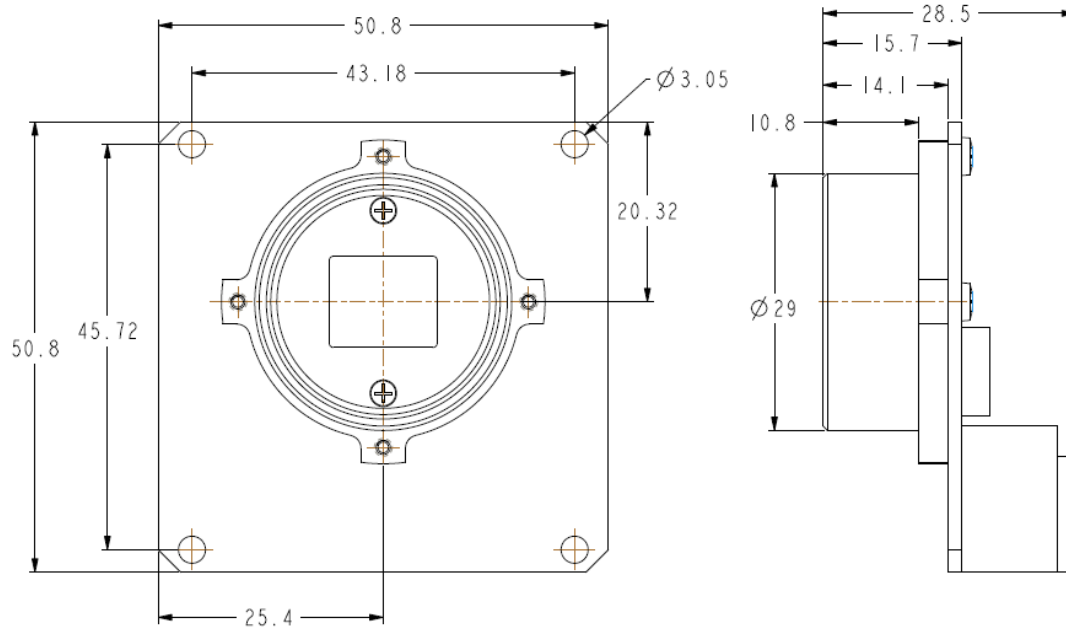


Buffered USB2.0 Monochrome 752x480 CMOS Cameras (10-bit)

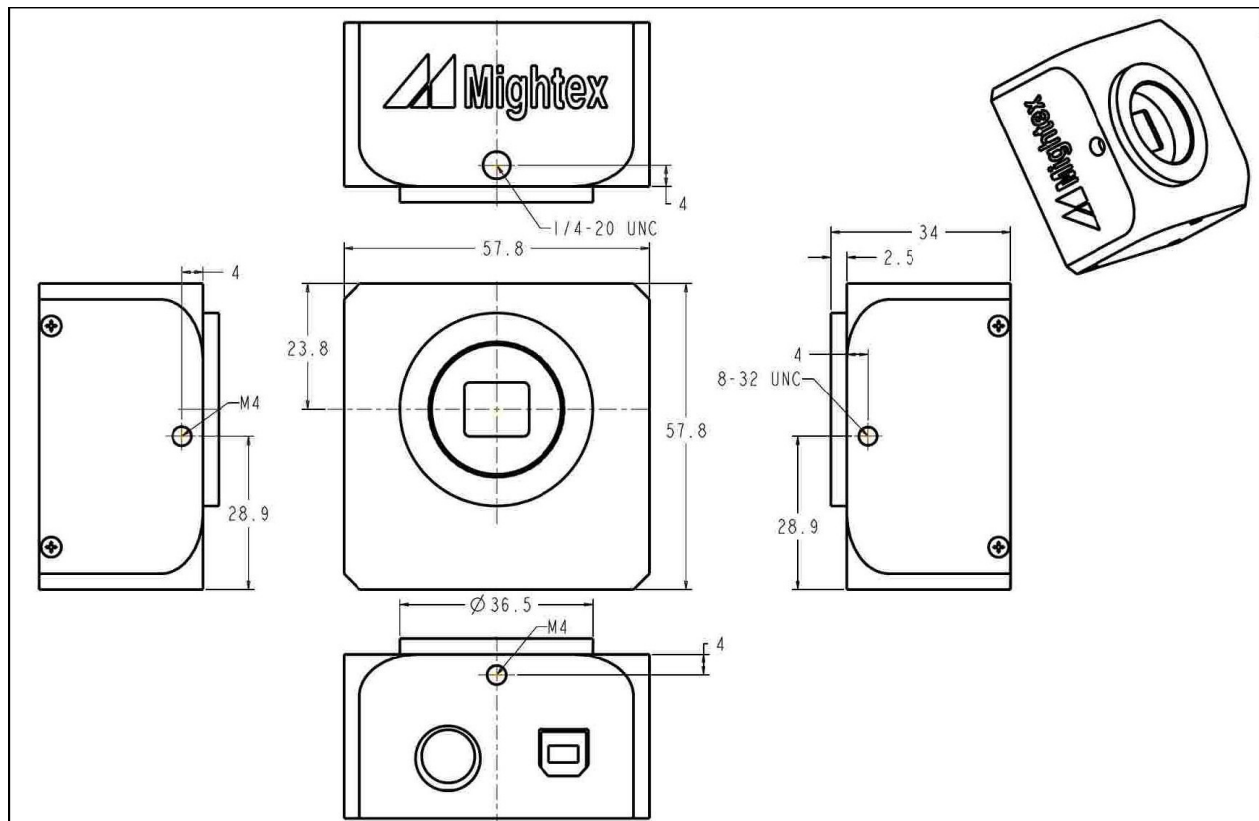
(Part Numbers: BTN-BG04-U and BTE-BG04-U)

INSTALLATION DRAWINGS

1) Board-level Camera with CS-mount



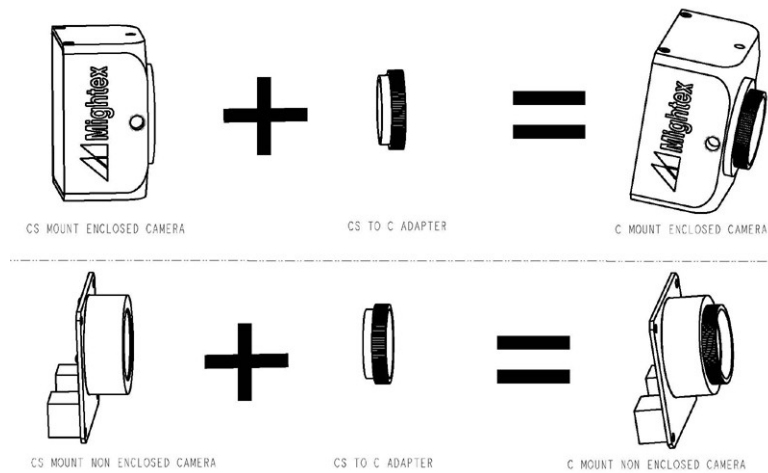
2) Enclosed camera with CS-mount



Buffered USB2.0 Monochrome 752x480 CMOS Cameras (10-bit)

(Part Numbers: BTN-BG04-U and BTE-BG04-U)

WHAT'S IN A C-MOUNT CAMERA?



A C-mount camera is composed of a CS-mount camera and a CS-to-C-mount adapter. The latter is essentially a 5mm thick threaded ring.

With a world-class OEM design team, Mightex offers a broad range of customized solutions in order to meet individual customer's unique requirements. Please call 1-416-840 4991 or email sales@mightex.com for details.