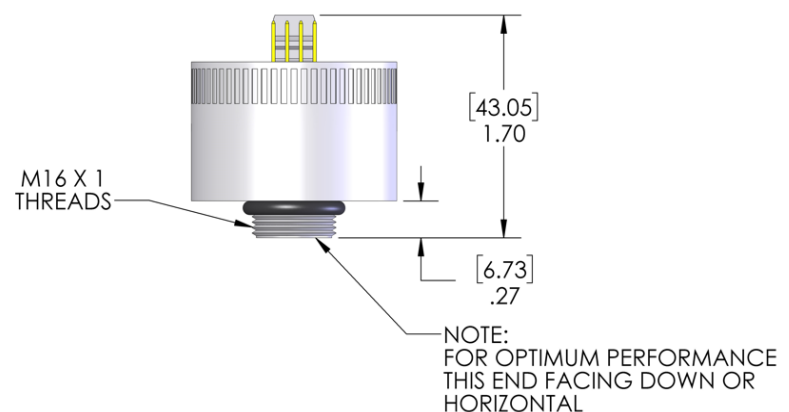
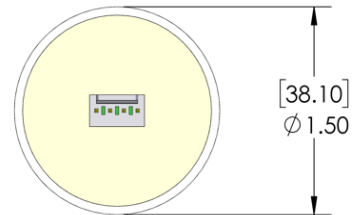


Oxygen Sensor Model **GPR-12-333-MH**

| | |
|--------------------------------------|--|
| Measuring Range | 0-100% O ₂ |
| Signal Output (1) | 590-950 μ A |
| Response Time 90% | 3 Seconds |
| Accuracy Full Scale (2) | $\pm 1\%$ |
| Accuracy FS Over Operating Range (3) | $\pm 5\%$ |
| Drift % Signal Month (2) | < 1% |
| Linearity (2) | $\pm 1\%$ |
| Humidity Non-Condensing | 0-99% RH |
| Temperature Coefficient | 2.54% / C |
| Operating Temperature | 0-45° C |
| Operating Pressure | Constant 5-30 PSIG |
| Flow Rate | .1-10 LPM |
| Expected Life (1) | 12-24 Months |
| Storage (4) | 0 to 40°C |
| Warranty (5) | 12 Months |
| Electrical Connections | 4 Pin Molex |
| Packaging | Anti-Static Bag in 3" x 3" x 1.5" paper box |
| Recommended Storage | < 6 months |



- (1) In air @ 25° C and 1 atm. Expected life varies inversely with changes in O₂ concentration, temperature, pressure. PPM Sensors Expected life based on < 1000 PPM
- (2) Under constant conditions. Calibrate as near sample conditions as possible. Sensing surface should point downward.
- (3) Once the signal output stabilizes following a step change in temperature.
- (4) Recommended 0-40° C. Sensors may be stored at -10 to 55° C on an intermittent basis only.
- (5) Ex-factory unless agreed to in writing. Under normal application conditions sensor is warranted to be free of defects in material and workmanship for the period specified above provided the sensor is properly installed and operated. Analytical Industries Inc. shall not be liable for buyer's negligence, misapplication, alteration or abuse. The sole remedy for a sensor determined to be defective by Analytical Industries Inc. is limited to replacing the defective sensor.