

LD8001



TRACE NITROGEN IN ARGON, HELIUM AND CRUDE ARGON ANALYZER



The LD8001 is an online analyzer to monitor trace N₂ in Ar/He/Crude Argon. Plasma emission detector is used to selectively measure trace N₂ in Argon or/and Helium bulk gases. The analysis of trace N₂ in Neon, Xenon and Krypton can also be realized.



Plasma Emission
Detector for N₂

FEATURES:

- Trace Nitrogen in Argon/Helium/Crude Argon
- Compact 3U rackmount enclosure
- Large scale measurement
- 4-20 mA outputs as standard
- LAN/Web control
- Range Identification Relay
- Micro-valve for very low dead volume and fast purging time
- Low sample consumption
- Optional zero gas calibration free system
- Touchscreen 7" HMDI TFT Display

APPLICATIONS:

- Air separation unit
- Helium cryogenic installation
- Cryogenic truck loading station
- Speciality gas laboratories
- Process control
- Argon purification plant
- Steel Industries
- Chemical plants
- Welding gas control
- Helium liquification plants
- Gas management system
- Semiconductor manufacturing
- Quality control for truck fills and gas cylinders
- Inert glove box systems
- Universities and laboratories

SPECIFICATIONS:

DETECTOR TYPES	Plasma Emission Detector for N ₂	
RANGE FOR N₂	0 – 1 ppm, resolution to 10 ppb 0 – 10 ppm, resolution to .1 ppm	0 – 100 ppm, resolution to 1 ppm other range possible up to 5000 ppm configurable
STANDARD FEATURES	<ul style="list-style-type: none"> • Manual or autoranging (user selectable) • Microprocessor controlled • Touchscreen 7" HMDI TFT Display • Self diagnosis system with auto-resolve alarm • 4-20 mA isolated outputs 	<ul style="list-style-type: none"> • Alarm Historic • Safe calibration procedure to avoid any bad calibration • Digital outputs for remote monitoring: (all dry relay contacts) <ul style="list-style-type: none"> - System status (1 output) - Range in use (3 outputs per impurity) - Calibration in use (1 output)
OPTIONS	<ul style="list-style-type: none"> • Internal sampling system for zero, span and sample 	<ul style="list-style-type: none"> • Serial port: RS-232 / 422 / 485 / Profibus • 2 alarm outputs (user programmable set point) • Zero calibration gas free system
GAS CONNECTIONS	Sample: 1/8" compression fittings	Vent: 1/8" compression fitting
CALIBRATION GAS	Zero: LDP1000 purified gas (Getter)	Span: 8.0 to 9.5 ppm N ₂ (application dependant)
SAMPLE FLOW REQUIREMENTS	75 to 200 sccm	
OPERATING TEMPERATURE	10 °C to 45 °C	
SUPPLY	115 VAC, 50 – 60 Hz or 220 VAC, 50 – 60 Hz	
ACCURACY	Better than ± 1% full scale	
DRIFT	< ± 1%	
RESPONSE TIME	T90 < 10 seconds	
OPERATING SAMPLE PRESSURE RANGE	3-30psig (for lower sample pressure requirement, an additional high purity pump is used)	
OUTLET PRESSURE	Atmospheric	
ENCLOSURE TYPE	3U rackmount type	
INGRESS PROTECTION	IP20 in accordance with IEC 60529	
ENCLOSURE FINISH	RAL7030 powder coat	
CERTIFICATION	In compliance with EMC directives : IEC 61000-4-3: 2020, IEC 61000-4-6: 2013, IEC 61000-4-2: 2008, IEC 61000-4-4: 2012, IEC 61000-4-5: 2014 A1: 2017, IEC 61000-4-8: 2009, IEC 61000-4-11: 2020 for immunity & CISPR 32: 2015 A1: 2019, FCC Part 15, Subpart B: 2021, CISPR 32: 2015 A1: 2019, FCC Part 15, Subpart B: 2021 for emissions.	
WEIGHT	29 lbs (13 kg)	

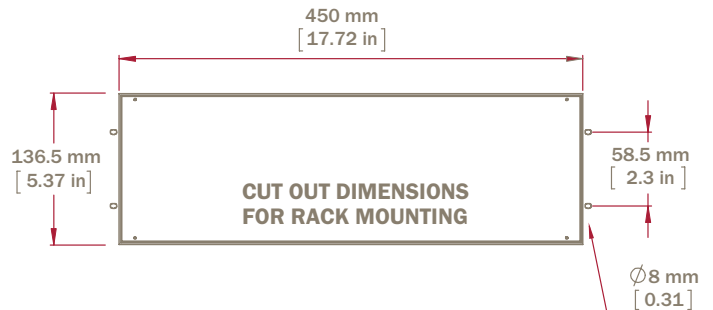
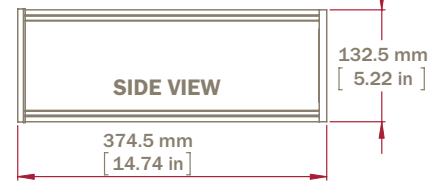
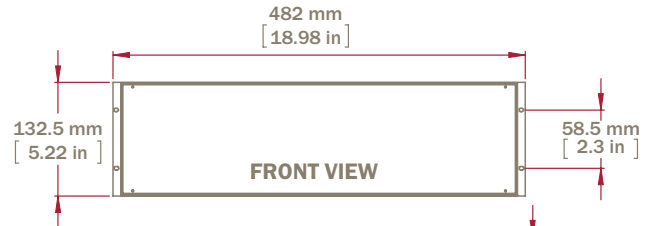
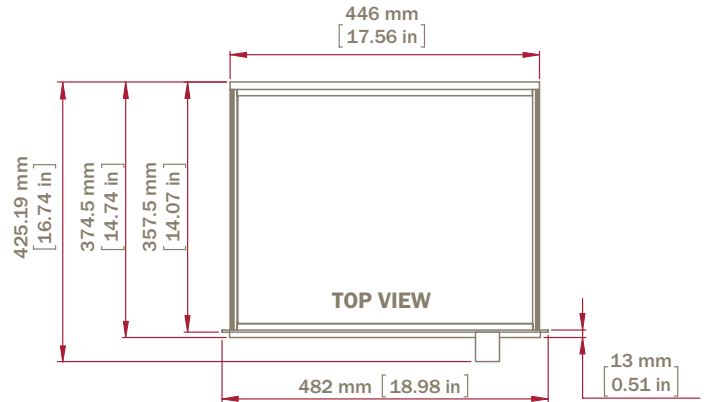
ORDERING INFORMATION:

Product Parent Code : LD8001

LD8001 (ppm) Impurity N₂ , Detector PED

PRODUCT ORDERING CODE		
{Feature A} + {Feature B} + {Feature C} + {Feature D} + ... + {Feature H}		
Feature	Item	Description
FEATURE {A}	BASE MODEL	
	LD8001	Trace N2 analyser with plasma emission detector, 0-1, 0-10, 0-100 ppm (as default), electronic flow control
FEATURE {B}	SAMPLE GAS	
	B1	Argon
	B2	Helium
	B3	Crude Argon
FEATURE {C}	OPERATING VOLTAGE	
	C1	120V
FEATURE {D}	OUTPUT	
	D0	No output
	D1	4-20 mA Outputs
FEATURE {E}	SERIAL COMMUNICATION	
	E0	No Serial Interface
	E1	Serial Interface - Modbus RS232
	E2	Serial Interface - Modbus RS-485
	E3	Serial Interface - Modbus Ethernet
FEATURE {F}	INTEGRATED SAMPLING SYSTEM	
	F0	No integrated sampling system
	F1	1 sample + zero + span
FEATURE {G}	ZERO GAS FREE	
	G0	No Zero gas free system
FEATURE {H}	PURGE OPTION	
	H0	No purged valve and flowmeter
	H1	P (Purged valve and flowmeter)

DIMENSIONS:



990 Monfette Est, Thetford Mines, (Qc), Canada, G6G 7K6
 Phone: 418 755-1319 • Fax: 418 755-1329 • info@ldetek.com

www.ldetek.com