

VAISALA

USER'S GUIDE

Vaisala Combined Pressure, Humidity, and Temperature Transmitter PTU300



M210796EN-J

PUBLISHED BY

Vaisala Oyj

Street address: Vanha Nurmijärventie 21, FI-01670 Vantaa, Finland

Mailing address: P.O. Box 26, FI-00421 Helsinki, Finland

Phone: +358 9 8949 1

Visit our Internet pages at www.vaisala.com.

© Vaisala 2019

No part of this manual may be reproduced, published or publicly displayed in any form or by any means, electronic or mechanical (including photocopying), nor may its contents be modified, translated, adapted, sold or disclosed to a third party without prior written permission of the copyright holder. Translated manuals and translated portions of multilingual documents are based on the original English versions. In ambiguous cases, the English versions are applicable, not the translations.

The contents of this manual are subject to change without prior notice.

This manual does not create any legally binding obligations for Vaisala towards customers or end users. All legally binding obligations and agreements are included exclusively in the applicable supply contract or the General Conditions of Sale and General Conditions of Service of Vaisala.

Table of Contents

CHAPTER 1

GENERAL INFORMATION	13
About This Manual	13
Contents of This Manual	13
Version Information	14
Related Manuals	14
Documentation Conventions	14
Safety	15
ESD Protection	15
Recycling	16
Regulatory Compliances	16
EU Declaration of Conformity.....	16
DNV Type Approval	17
Transmitters with LAN or WLAN Interface	17
Transmitters with WLAN Interface	18
Trademarks	18
Software License	18
Warranty	19

CHAPTER 2

PRODUCT OVERVIEW	21
Introduction to PTU300	21
Basic Features and Options.....	23
New and Improved Features Compared to PTU200	23
Structure of the Transmitter	24
Probe Options	26
Warmed Probe PTU307	28

CHAPTER 3

INSTALLATION	29
Mounting the Housing	29
Standard Mounting without Mounting Plate	29
Wall Mounting with Wall Mounting Kit.....	30
Mounting with DIN Rail Installation Kit.....	32
Pole Installation with Installation Kit for Pole or Pipeline	32
Mounting Rain Shield with Installation Kit	34
Panel Mounting Frame.....	35
Wiring	37
Cable Bushings	37
Grounding the Cables	38
Grounding the Transmitter Housing.....	39
Alternate Wiring Systems	39
Signal and Power Supply Wiring.....	40
8-Pin Connector	41

D-9 Connector	42
Connections to a 24 VAC Power Supply.....	43
Probe Mounting	44
General Instructions for Probes with Cable.....	44
PTU303 for General Use.....	46
PTU307 for High Humidities.....	47
Temperature Probe (Optional)	47
Operational Temperature Limits.....	48
Optional Modules.....	49
Power Supply Module.....	49
Installation	50
Warnings	51
Galvanic Isolation of the Power Supply.....	54
Third Analog Output	54
Installation and Wiring.....	55
Relays.....	56
Installation and Wiring.....	56
Selecting the Activation State of the Relay	56
RS-422/485 Interface	58
Installation and Wiring.....	59
LAN Interface.....	62
WLAN Interface	63
Attaching the WLAN Antenna.....	64
Data Logger Module.....	64

CHAPTER 4

OPERATION.....	67
Getting Started.....	67
Display/Keypad (Optional).....	68
Basic Display	68
Pressure 3h Trend and Tendency Reading	69
Using Basic Display.....	69
Pressure tendency graphics and codes	69
Using Serial Line	71
Missing Trend.....	71
Graphic History.....	72
Information Display.....	74
Menus and Navigation.....	75
Changing the Language	75
Rounding Setting	76
Display Backlight Setting.....	76
Display Contrast Setting.....	76
Using Display/Keypad	76
Using Serial Line	77
Keypad Lock (Keyguard).....	77
Menu PIN Lock.....	77
Factory Settings	78
Configuring Display Alarms	78
Using Display/Keypad	79
Using Serial Line	81
MI70 Link Program for Data Handling	82
Serial Line Communication	83
User Port Connection	83

User Port Operating Modes	84
Service Port Connection	84
Connection Cables.....	84
Installing the Driver for the USB Cable	85
Using the Service Port	85
LAN Communication.....	86
IP Configuration	86
Using Display/Keypad	87
Using Serial Line	88
Wireless LAN Configuration	89
Using Display/Keypad	90
Using Serial Line	91
Communication Protocol	92
Web Configuration for LAN and WLAN.....	92
Terminal Program Settings	93
Opening a Serial/USB connection	93
Opening a Telnet Session (LAN/WLAN).....	94
List of Serial Commands	96
Getting Measurement Message from Serial Line.....	99
Starting Continuous Outputting	99
R.....	99
Stopping Continuous Outputting	99
S.....	99
Outputting Reading Once	99
SEND	99
Assign an Alias for the SEND Command	100
Outputting Reading Once From All Transmitters.....	100
Communicating with a Transmitter in POLL Mode.....	101
OPEN	101
CLOSE	101
Formatting Serial Line Message	102
FTIME and FDATE.....	102
General Settings.....	103
Changing Quantities and Units	103
Using Display/Keypad	103
Using Serial Line	103
FORM.....	103
UNIT	106
Limit RH Output Range	107
Date and Time.....	108
Using Display/Keypad	108
Using Serial Line	108
NMEA Data Format.....	109
GPS Commands	110
Pressure Compensation Settings.....	111
Using Display/Keypad	111
Using Serial Line	112
PRES and XPRES	112
PFIIX	112
PSTAB	113
Data Filtering for Pressure	114
Data Filtering for Humidity and Temperature.....	115
Using Display/Keypad	115
Using Serial Line	116

HCP, QFE and QNH Offsets	117
HHCP	117
HQFE.....	117
HQNH.....	118
Device Information.....	118
Using Serial Line	119
?.....	119
LIGHT	120
HELP	120
ERRS.....	121
MODS.....	121
VERS.....	121
Resetting Transmitter using Serial Line	121
RESET.....	121
Locking Menu/Keypad using Serial Line	122
LOCK.....	122
Serial Output Settings	123
Using Display/Keypad	123
Using Serial Line	124
SERI	124
SMODE	125
ADDR	125
INTV	126
SDELAY	126
ECHO	126
Data Recording	127
Selecting Data Recording Quantities	127
DSEL	127
View Recorded Data.....	127
DIR	128
PLAY	129
Deleting the Recorded Files	130
UNDELETE	130
Analog Output Settings	131
Changing Output Mode and Range.....	131
Analog Output Quantities	132
AMODE/ASEL	133
Analog Output Tests.....	134
ITEST	134
Analog Output Fault Indication Setting.....	135
AERR.....	135
Extend Analog Output Range.....	136
Operation of Relays.....	136
Quantity for Relay Output.....	136
Measurement-Based Relay Output Modes	136
Relay Setpoints	136
Hysteresis.....	138
Relay Indicating Transmitter Error Status	138
Enabling/Disabling Relays.....	141
Setting Relay Outputs.....	141
RSEL	142
Testing Operation Of Relays	144
RTEST.....	144
Sensor Functions	145

Chemical Purge (Optional).....	145
Automatic Chemical Purge (Interval Purge)	146
Manual Chemical Purge.....	146
Chemical Purge in Power Up	146
Starting and Configuring Chemical Purge.....	146
Using Buttons On Motherboard	146
Using Display/Keypad (Optional).....	147
Using Serial Line	147
PURGE	147
PUR.....	148
RGLIMIT	149
Setting Sensor Heating	149
Setting Humidity Sensor Heating using Display/Keypad	150
Using Serial Line	150
XHEAT	150

CHAPTER 5

MODBUS	151
Overview of Modbus Protocol Support.....	151
Taking Modbus into Use	152
Enabling Serial Modbus.....	153
Using Display/Keypad (Optional)	153
Using Serial Line	153
Enabling Ethernet Modbus.....	154
Using Display/Keypad (Optional)	154
Using Serial Line	156
Diagnostic Modbus Counters	157
Viewing Counters using Display/Keypad	157
Viewing Counters using Service Port.....	157
Disabling Modbus	158

CHAPTER 6

MAINTENANCE	159
Periodic Maintenance	159
Cleaning	159
Changing the Probe Filter	159
Changing the Sensor	160
Error States	161
Technical Support	163

CHAPTER 7

CALIBRATION AND ADJUSTMENT.....	165
Pressure	165
Opening and Closing the Adjustment Mode	166
Pressure Adjustment	167
One-Point Adjustment Using Display/Keypad.....	167
One-Point Adjustment using Serial Line	168
LCI.....	168
LC.....	168

MPCI	169
MPC	170
Relative Humidity Adjustment.....	171
Using Push Buttons	171
Using Display/Keypad	172
Using Serial Line	173
Multipoint Relative Humidity Adjustment Using Serial Line	
.....	175
MPC RH Command Syntax.....	175
Example Multipoint Adjustment Procedure	176
Relative Humidity Adjustment After Sensor Change.....	178
Using Display/Keypad	178
Using Serial Line	178
FCRH.....	178
Temperature Adjustment	179
Using Display/Keypad	179
Using Serial Line	180
Analog Output Adjustment (Ch1 and Ch2)	181
Using Display/Keypad	181
Using Serial Line	181
ACAL	181
Feeding Adjustment Information	182
Using Display/Keypad	182
Using Serial Line	182
CTEXT	182
CDATE	182

CHAPTER 8

TECHNICAL DATA	183
Specifications	183
Performance	183
Barometric Pressure.....	183
Relative Humidity	184
Temperature (+ Operating Pressure Ranges)	185
Optional Temperature Probe.....	186
Calculated Variables	186
Accuracies of Calculated Variables.....	186
Accuracy of Dew Point Temperature °C	186
Accuracy of Mixing Ratio g/kg (Ambient Pressure 1013	
mbar)	187
Accuracy of Wet Bulb Temperature °C	187
Accuracy of Absolute Humidity g/m ³	187
Dew Point Temperature (PTU307 Warmed Probe Option)	
.....	188
Operating Conditions.....	188
Inputs and Outputs	189
Mechanics	190
Technical Specifications of Optional Modules.....	191
Power Supply Module	191
Analog Output Module.....	191
Relay Module	191
RS-485 Module	192
LAN Interface Module.....	192

WLAN Interface Module	192
Data Logger Module.....	192
Spare Parts and Accessories.....	193
Dimensions (mm/inch).....	195
PTU301	196
PTU303	198
PTU307	198
Temperature Probe	198

APPENDIX A

PROBE INSTALLATION KITS AND INSTALLATION EXAMPLES	199
Duct installation kits (for PTU303/307).....	199
Duct Installation Kit for Temperature Probe (for PTU307).....	200
Pressure Tight Swagelok Installation Kits (For PTU307) ..	200
RH Probe Installation	200
Temperature Probe Installation.....	202
Examples of Vapor Tight Installations with Cable Gland.	203
RH-Probe Installations (for PTU303/307)	203
T- Probe Installations (PTU307).....	205
Meteorological Installation Kit (for PTU307).....	206

APPENDIX B

CALCULATION FORMULAS	207
-----------------------------------	------------

APPENDIX C

MODBUS REFERENCE.....	211
Function Codes	211
Register Map.....	212
Data Encoding.....	212
32-Bit Floating Point Format	212
16-Bit Integer Format	213
Measurement Data (Read-Only).....	214
Status Registers (Read-Only).....	215
Configuration Registers.....	215
Exception Status Outputs	216
Diagnostic Sub-Functions.....	217
Device Identification Objects	218
Exception Responses	218

List of Figures

Figure 1	Transmitter Body	24
Figure 2	Inside the Transmitter	25
Figure 3	PTU301 Fixed Probe	26
Figure 4	PTU301 Short Cable Probe	26
Figure 5	Probe Options	27
Figure 6	Standard Mounting	29
Figure 7	Mounting with Wall Mounting Kit	30
Figure 8	Dimensions of the Plastic Mounting Plate (mm/inch)	30
Figure 9	Dimensions of the Probe Holder Plate (mm/inch)	31
Figure 10	Mounting with DIN Rail Installation Kit	32
Figure 11	Vertical Pole	32
Figure 12	Horizontal Pole	33
Figure 13	Mounting with Metal Wall Mounting Plate	33
Figure 14	Dimensions of Metal Mounting Plate (mm/inch)	34
Figure 15	Mounting Rain Shield with Installation Kit	34
Figure 16	Panel Mounting Frame	35
Figure 17	Panel Mounting Dimensions (mm/inch)	36
Figure 18	Cable Bushings	37
Figure 19	Grounding the Screen of Electrical Cable	38
Figure 20	Screw Terminal Block on Motherboard	40
Figure 21	Pinout of the Optional 8-Pin Connector	41
Figure 22	Wiring of Optional D-9 Connector	42
Figure 23	Connections to 24 VAC Power Supply	43
Figure 24	Measurement Error at 100 %RH	44
Figure 25	Horizontal Mounting of Probe	45
Figure 26	Vertical Mounting of Probe	45
Figure 27	Power Supply Module	49
Figure 28	Galvanic Isolation Module	54
Figure 29	Third Analog Output	54
Figure 30	Third Analog Output Selection	55
Figure 31	Relay Module	57
Figure 32	RS-485 Module	58
Figure 33	4-Wire RS-485 Bus	60
Figure 34	2-Wire RS-485 Bus	61
Figure 35	LAN Interface Module	62
Figure 36	WLAN Interface Module	63
Figure 37	Data Logger Module	65
Figure 38	Basic Display	68
Figure 39	Basic Display with P _{3H} Trend and Tendency	69
Figure 40	Pressure Tendency Description	70
Figure 41	Graphical Display	72
Figure 42	Graphical Display with Data Logger	73
Figure 43	Device Information on Display	74
Figure 44	Main Menu	75
Figure 45	Alarm Limits Shown on Graph Screen	79
Figure 46	Display Alarm Active	79
Figure 47	Display Alarms	80
Figure 48	Modifying an Alarm Limit	80
Figure 49	Service Port Connector and User Port Terminal on Motherboard	83
Figure 50	Connection Example between PC Serial Port and User Port ..	84

Figure 51	Network Interface Menu	87
Figure 52	IP Configuration Menu.....	87
Figure 53	Wireless LAN Settings.....	90
Figure 54	Entering Network SSID	90
Figure 55	Selecting the Wireless Network Type	90
Figure 56	Web Configuration Interface for WLAN.....	93
Figure 57	Opening a Serial Connection	94
Figure 58	Opening a Telnet Connection	95
Figure 59	Current/Voltage Switches of Output Modules	131
Figure 60	Relay Output Modes.....	137
Figure 61	FAULT/ONLINE STATUS Relay Output Modes	139
Figure 62	Relay Indicators on Display.....	141
Figure 63	Decrease of Sensor Gain	145
Figure 64	Purge Buttons on Motherboard	146
Figure 65	Chemical Purge Settings.....	147
Figure 66	Performing Chemical Purge	147
Figure 67	Serial Interface Settings	153
Figure 68	IP Configuration.....	155
Figure 69	Wireless LAN Settings.....	155
Figure 70	Communication Protocol	155
Figure 71	Modbus Counters	157
Figure 72	Changing the Sensor.....	160
Figure 73	Error Indicator and Error Message	161
Figure 74	Adjustment and Purge Buttons	166
Figure 75	Adjustment Menu	167
Figure 76	Selecting Point 1 Reference Type.....	172
Figure 77	Accuracy over Temperature Range	185
Figure 78	Accuracy in Dew Point Measurement	188
Figure 79	Transmitter Body Dimensions	195
Figure 80	WLAN Antenna Dimensions.....	196
Figure 81	PTU301 Fixed Probe Dimensions.....	196
Figure 82	PTU301 Short Cable Probe Dimensions.....	197
Figure 83	PTU303 Probe Dimensions.....	198
Figure 84	PTU307 Probe Dimensions.....	198
Figure 85	Optional Temperature Probe Dimensions.....	198
Figure 86	Duct Mounting Installation Kit.....	199
Figure 87	Duct Mounting Installation Kit for T-Probe	200
Figure 88	Swagelok Installation Kit for RH-probe	201
Figure 89	Swagelok Installation Kit for T-Probe	202
Figure 90	Cable Installation with Cable Gland	203
Figure 91	Probe Installation with Cable Gland	204
Figure 92	Vapor Tight Installation.....	205
Figure 93	Wall Mounting Installation	205
Figure 94	Meteorological Installation Kit for Outdoor Installation.....	206

List of Tables

Table 1	Manual Revisions	14
Table 2	Related Manuals	14
Table 3	Application, Location Classes.....	17
Table 4	Basic Quantities Measured by PTU300	22
Table 5	Optional Quantities Measured by PTU300	22
Table 6	Optional Pressure Quantities Measured by PTU300	22
Table 7	Wiring of the Optional 8-Pin Connector	41
Table 8	Pin Assignments to RS-232/485 Serial Output	42
Table 9	PTU301, 303, 307 and 30T Temperature and Operating Pressure Ranges	48
Table 10	Connecting the Twisted Pair Wires to the Screw Terminals	59
Table 11	4-Wire (Switch 3: On)	60
Table 12	2-Wire (Switch 3: Off)	61
Table 13	Observation Periods and Resolution	64
Table 14	Periods for Trend and Max/Min Calculations	72
Table 15	Graph Information Messages in Cursor Mode	73
Table 16	ALSEL Parameters	81
Table 17	Default Serial Communication Settings for the User Port	83
Table 18	Communication Settings for the Service Port.....	85
Table 19	IP Settings for the LAN and WLAN Interfaces.....	86
Table 20	Wireless LAN Settings	89
Table 21	Measurement Commands	96
Table 22	Formatting Commands	96
Table 23	Data Recording Commands	97
Table 24	Chemical Purge Commands.....	97
Table 25	Calibration and Adjustment Commands.....	97
Table 26	Setting and Testing the Analog Outputs.....	97
Table 27	Setting and Testing the Relays.....	98
Table 28	Pressure Commands.....	98
Table 29	GPS Commands.....	98
Table 30	Other Commands	98
Table 31	FORM Command Modifiers	104
Table 32	Conversion Factors for Pressure Units	112
Table 33	Filtering Levels for Humidity Temperature	115
Table 34	Selection of Output Modes	125
Table 35	Relay State Examples	140
Table 36	Supported Modbus Variants	151
Table 37	Error Messages	162
Table 38	Adjustment and Calibration Commands.....	166
Table 39	Indicator Led Functions	167
Table 40	Example List for Multipoint Correction.....	176
Table 41	PTU301, 303, 307 and 30T Temperature and Operating Pressure Ranges	185
Table 42	Calculated Variables (Typical Ranges)	186
Table 43	Standard Probe Cable Lengths and Approximate Transmitter Weight (in kg/lb)	190
Table 44	Spare Parts and Accessories	193
Table 45	Supported Function Codes.....	211
Table 46	PTU300 Modbus Register Blocks.....	212
Table 47	Measurement Data Registers.....	214
Table 48	Status Registers	215

Table 49	Configuration Parameter Registers	215
Table 50	Configuration Flag Registers.....	216
Table 51	PTU300 Exception Status Outputs	216
Table 52	PTU300 Modbus Diagnostics.....	217
Table 53	PTU300 Modbus Device Identification	218
Table 54	PTU300 Modbus Exception Responses	218

This page intentionally left blank.

CHAPTER 1

GENERAL INFORMATION

About This Manual

This manual provides information for installing, operating, and maintaining the Vaisala Combined Pressure, Humidity, and Temperature Transmitter PTU300.

Contents of This Manual

- Chapter 1, General Information, provides general notes for the manual and the product.
- Chapter 2, Product Overview, introduces the features, advantages, and the product nomenclature of PTU300.
- Chapter 3, Installation, provides you with information that is intended to help you install the product.
- Chapter 4, Operation, contains information that is needed to operate this product.
- Chapter 5, Modbus, contains information that is needed when operating the transmitter using the Modbus protocol.
- Chapter 6, Maintenance, contains information that is needed in basic maintenance of the product.
- Chapter 7, Calibration and adjustment, provides information and instructions concerning calibration and adjustment of PTU300.
- Chapter 8, Technical data, provides the technical data of the product.
- Appendix A, Probe installation kits and installation examples, presents the installation kits available for PTU300 and provides some installation examples.
- Appendix B, Calculation Formulas, presents the formulas used for the calculated output quantities.
- Appendix C, Modbus Reference, describes the Modbus functions and data of the transmitter.

Version Information

Table 1 Manual Revisions

Manual Code	Description
M210796EN-J	February 2019. This manual. Updated the following: <ul style="list-style-type: none"> - Chapter Analog Output Tests - Descriptions for PLAY and AOVER commands - PUR command example - Relative humidity performance specifications.
M210796EN-H	June 2015. Previous version. Updated the operational temperature limit specification of the PTU303, PTU307 and PTU30T probes when used in RH or T measurement. Added information about the recommendation against the use of the D9 connector in pole and outdoor installations. Correction to the list of available serial commands (SWARM command not in use). Spare part list updated. HCP, QNH and QFE information and QHF and QNH height offset ranges updated.
M210796EN-G	December 2013. Previous version. Applicable from transmitter software version 5.14 onward. Removed references to HUMICAP®180L2 sensor. Added new command descriptions: ALSEL, AOVER, CON, DSEND, MODS, RGLIMIT, RHLIMIT, and MPC RH (multipoint RH calibration). Updated FILT command description. Various small corrections.

Related Manuals

Table 2 Related Manuals

Manual Code	Manual Name
M210195EN	PTU200 Series Transmitters User's Guide

Documentation Conventions

Throughout the manual, important safety considerations are highlighted as follows:

WARNING Warning alerts you to a serious hazard. If you do not read and follow instructions very carefully at this point, there is a risk of injury or even death.

CAUTION Caution warns you of a potential hazard. If you do not read and follow instructions carefully at this point, the product could be damaged or important data could be lost.

NOTE

Note highlights important information on using the product.

Safety

The PTU300 delivered to you has been tested for safety and approved as shipped from the factory. Note the following precautions:

WARNING

Ground the product, and verify outdoor installation grounding periodically to minimize shock hazard.

CAUTION

Do not modify the unit. Improper modification can damage the product, lead to malfunction, or make the product noncompliant with applicable legislation.

ESD Protection

Electrostatic Discharge (ESD) can cause immediate or latent damage to electronic circuits. Vaisala products are adequately protected against ESD for their intended use. However, it is possible to damage the product by delivering electrostatic discharges when touching, removing, or inserting any objects inside the equipment housing.

To make sure you are not delivering high static voltages yourself:

- Handle ESD sensitive components on a properly grounded and protected ESD workbench. When this is not possible, ground yourself to the equipment chassis before touching the boards. Ground yourself with a wrist strap and a resistive connection cord. When neither of the above is possible, touch a conductive part of the equipment chassis with your other hand before touching the boards.
- Always hold the boards by the edges and avoid touching the component contacts.

Recycling



Recycle all applicable material.



Dispose of the unit according to statutory regulations. Do not dispose of with regular household refuse.

Regulatory Compliances

EU Declaration of Conformity

Vaisala Combined Pressure, Humidity, and Temperature Transmitter PTU300 is in conformity with the provisions of the following EU directives:

- Low Voltage Directive
- EMC-Directive

Conformity is shown by compliance with the following standards:

- EN 60950-1: Information technology equipment – Safety – Part 1: General requirements.
- EN 61326-1: Electrical equipment for measurement, control, and laboratory use – EMC requirements – for use in industrial locations.
- EN 55022: Information technology equipment – Radio disturbance characteristics – Limits and methods of measurement.
- EN 61000-3-2: Limits for harmonic current emissions.
- EN 61000-3-3: Limitation of voltage changes, voltage fluctuations and flicker in public low-voltage supply systems.



DNV Type Approval

The Vaisala Combined Pressure, Humidity, and Temperature Transmitter PTU300 is found to comply with Det Norske Veritas' Rules for Classification of Ships, High Speed & Light Craft and Det Norske Veritas' Offshore standards.

Applicable tests carried out according to Standard for Certification No. 2.4, April 2006.

Table 3 Application, Location Classes

Type	PTU300
Temperature	B
Humidity	B
Vibration	A
EMC	B
Enclosure	B/IP65



TYPE APPROVED PRODUCT
CERTIFICATE NO.: A-13529

Transmitters with LAN or WLAN Interface

This equipment has been tested and found to comply with the limits for a Class B digital device, pursuant to Part 15 of the FCC Rules. These limits are designed to provide reasonable protection against harmful interference in a residential installation. Operation is subject to the following two conditions: (1) this device may not cause interference, and (2) this device must accept any interference, including interference that may cause undesired operation of the device.

This equipment generates, uses and can radiate radio frequency energy and, if not installed and used in accordance with the instructions, may cause harmful interference to radio communications. However, there is no guarantee that interference will not occur in a particular installation. If this equipment does cause harmful interference to radio or television

reception, which can be determined by turning the equipment off and on, the user is encouraged to try to correct the interference by one or more of the following measures:

- Reorient or relocate the receiving antenna.
- Increase the separation between the equipment and receiver.
- Connect the equipment into an outlet on a circuit different from that to which the receiver is connected.
- Consult the dealer or an experienced radio/TV technician for help.

Transmitters with WLAN Interface

This device has been designed to operate with a 2 dBi half-wave antenna. Antennas with a gain greater than 2 dBi are prohibited for use with this device. The antenna impedance is 50 ohms.

To reduce potential radio interference to other users, the antenna type and its gain should be so chosen that the equivalent isotropically radiated power (EIRP) is not more than that permitted for successful communication.

This Class [B] digital apparatus complies with Canadian ICES-003.

Cet appareil numérique de la classe [B] est conforme à la norme NMB-003 du Canada.

Trademarks

HUMICAP[®] and BAROCAP[®] are registered trademarks of Vaisala Oyj.

All other trademarks are the property of their respective owners.

Software License

This product contains software developed by Vaisala. Use of the software is governed by license terms and conditions included in the applicable supply contract or, in the absence of separate license terms and conditions, by the General License Conditions of Vaisala Group.

Warranty

Visit our Internet pages for standard warranty terms and conditions:
www.vaisala.com/warranty.

Please observe that any such warranty may not be valid in case of damage due to normal wear and tear, exceptional operating conditions, negligent handling or installation, or unauthorized modifications. Please see the applicable supply contract or Conditions of Sale for details of the warranty for each product.

This page intentionally left blank.

CHAPTER 2

PRODUCT OVERVIEW

This chapter introduces the features, advantages, and the product nomenclature of the Vaisala Combined Pressure, Humidity, and Temperature Transmitter PTU300.

Introduction to PTU300

The PTU300 transmitter provides reliable pressure measurement in a wide range of applications. PTU300 series transmitters use a BAROCAP® silicon capacitive absolute sensor developed by Vaisala for barometric pressure measurement applications. The measurement principle of the PTU300 series digital transmitters is based on an advanced RC oscillator and three reference capacitors against which the capacitive pressure sensor is continuously measured. The microprocessor of the transmitter performs compensation for pressure linearity and temperature dependence.

The applications of the PTU300 range from calibration laboratory environmental condition monitoring to laser interferometer active wavelength compensation and GPS meteorological measurements.

The PTU300 transmitter combines three measurement parameters: pressure, temperature and humidity. The quantities measured and calculated by PTU300 are presented in Table 4 on page 22. The quantities available as an option are presented in Table 5 on page 22.

Analog outputs can be chosen between current and voltage signals. Alternatively, digital outputs RS-232 (standard) or RS-422/485 (optional) can be selected. A local display is also available.

The PTU300 transmitter is available with one or two pressure transducers. The PTU301, PTU303 and PTU307 probes are available for the PTU300 transmitter. A PTU30T model with only the temperature probe (no humidity measurement) is also available.

In outdoor applications it is recommended to use the HMT330MIK mounting kit with the PTU300 transmitters.

Table 4 Basic Quantities Measured by PTU300

Quantity	Abbreviation	Metric Unit	Non-Metric Unit
Pressure	P	See Table 6 on page 22.	
Relative Humidity ¹⁾	RH	%RH	%RH
Temperature	T	°C	°F

1) Relative humidity not included on the PTU30T model

Table 5 Optional Quantities Measured by PTU300

Quantity	Abbreviation	Metric Unit	Non-Metric Unit
Dew point/Frost point temperature ($T_{d/f}$)	TDF	°C	°F
Dew point temperature (T_d)	TD	°C	°F
Absolute humidity (a)	A	g/m ³	gr/ft ³
Mixing ratio (x)	X	g/kg	gr/lb
Wet bulb temperature (T_w)	TW	°C	°F
Humid air volume/ dry air volume (by volume or by weight) (H ₂ O)	H ₂ O	ppmv/ppm _w	ppmv/ppm _w
Water vapor pressure (P_w)	PW	hPa	lb/in ²
Water vapor saturation pressure (P_{ws})	PWS	hPa	lb/in ²
Enthalpy (h)	H	kJ/kg	Btu/lb
Difference of T and $T_{d/f}$ (ΔT)	DT	°C	°F

Table 6 Optional Pressure Quantities Measured by PTU300

Quantity	Abbreviation	Units Available
Pressure trend and tendency	P _{3h}	hPa, psia, inHg, torr, bara, barg, psig, mbar, mmHg, kPa, Pa, mmH ₂ O, inH ₂ O
Pressure (measures average pressure from P ₁ and P ₂ if both are connected)	P	
Pressure from transducer 1 or 2	P ₁ and P ₂	
QNH pressure	QNH	
QFE pressure	QFE	
Height Corrected Pressure	HCP	

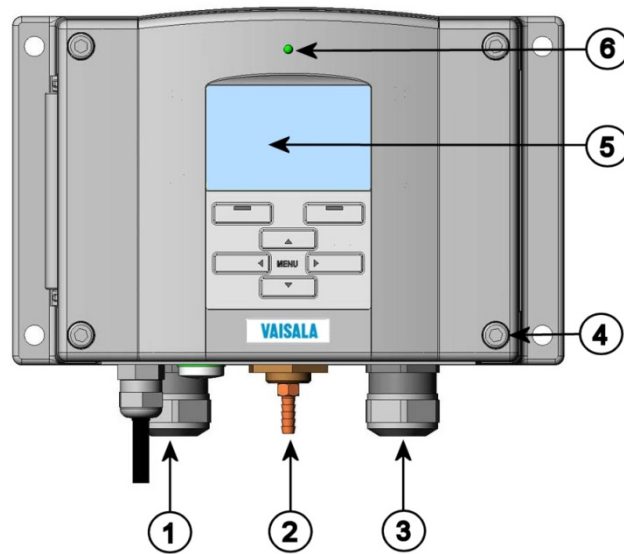
Basic Features and Options

- Pressure redundancy option: two sensors in one unit
- Two accuracy classes for pressure measurement
- Several probes for various applications
- A 3 h trend and tendency available in pressure measurement
- Calculated output quantities available
- User-friendly display and keypad interface (optional)
- Different probe mounting kits, sensor protection options and probe cable lengths
- Transmitter mounting kits for multiple installation purposes
- Chemical purge for applications where interfering chemicals in the measuring environment pose a risk
- Warmed probe and sensor heating for high humidity conditions (PTU307)
- Support for Modbus serial communications protocol
- Optional temperature sensor for PTU307
- Optional modules:
 - Isolated power supply
 - Power supply module for AC mains power
 - RS-422/485-module
 - LAN and WLAN interfaces
 - Data logger module with real time clock
 - Additional analog output module
 - Relay module

New and Improved Features Compared to PTU200

- Improved %RH accuracy
- Graphical display (trend of any parameter)
- Analog outputs (voltage and current)
- Service port for MI70 or PC
- Support for Modbus serial communications protocol
- USB connectivity for service connections via the optional USB-RJ45 cable
- Isolated RS-485 module (using single barometer module)
- Relay module (using single barometer module)
- LAN and WLAN interfaces (using single barometer module)
- Data logger module with real time clock (using single barometer module)

Structure of the Transmitter

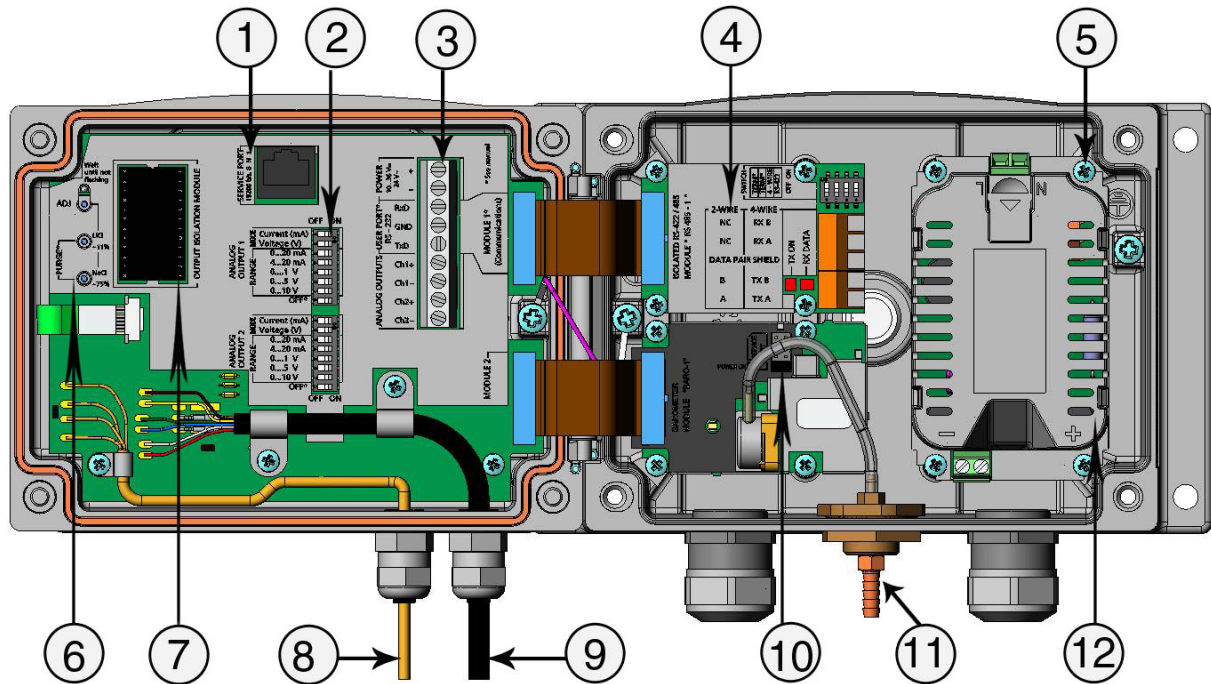


1104-078

Figure 1 Transmitter Body

The numbers refer to Figure 1 above:

- 1 = Signal + powering cable gland, or WLAN antenna connector
- 2 = Pressure port
- 3 = Cable gland for optional module or AC mains cable
- 4 = Cover screw (4 pcs)
- 5 = Display with keypad (optional)
- 6 = Cover LED



0604-060

Figure 2 Inside the Transmitter

The following numbers refer to Figure 2 above:

- 1 = Service port (RS-232)
- 2 = DIP switches for analog output settings
- 3 = Power supply and signal wiring screw terminals
- 4 = Relay, RS-422/485, data logger, LAN, WLAN, or analog output module (optional)
- 5 = Grounding connector for power supply module
- 6 = Adjustment buttons (chemical purge buttons) with indicator LED
- 7 = Galvanic isolation module (optional)
- 8 = Temperature probe cable
- 9 = Humidity probe cable
- 10 = BARO-1 module
- 11 = Pressure port
- 12 = Power supply module.

Probe Options

The PTU301 is intended for wall-mounted applications. The standard version has a fixed probe.



1104-079

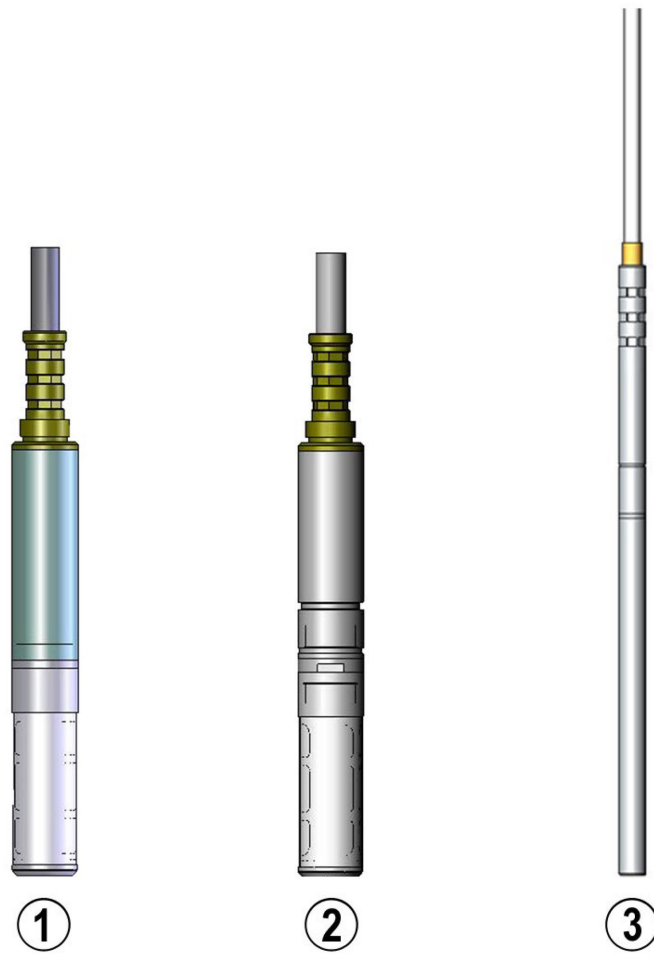
Figure 3 PTU301 Fixed Probe

The PTU301 short cable probe is a special version for use with the WLAN module, and when LAN module and power supply module are simultaneously installed. It has the general use PTU303 probe on a short cable (21 cm), and a mounting plate with a probe holder.



1104-080

Figure 4 PTU301 Short Cable Probe



0911-067

Figure 5 Probe Options

The following numbers refer to Figure 5 above:

- 1 = PTU303 Probe for general use
- 2 = PTU307 for demanding processes (optionally warmed probe)
- 3 = Temperature probe

For probe cable lengths, see Table 43 on page 190.

Warmed Probe PTU307

Temperature difference between the probe and external environment can cause a risk of condensation on the sensor. A wet probe cannot observe the actual humidity in the ambient air. If the condensed water is contaminated, the life span of the probe may shorten and calibration may change.

PTU307 probe shall be used in applications where condensation can occur due to high humidity and rapid humidity changes. The warmed probe is heated continuously so that its temperature is always higher than that of the environment. This prevents condensation on the probe. The power consumption of the warmed probe is slightly higher than that of the other probes.

CHAPTER 3

INSTALLATION

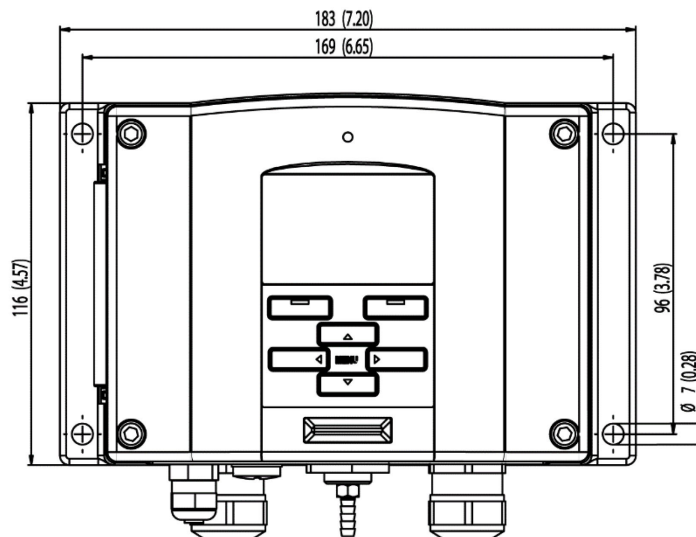
This chapter provides you with information that is intended to help you install the product.

Mounting the Housing

The housing can be mounted either without the mounting plate or with optional mounting plates.

Standard Mounting without Mounting Plate

Mount the housing by fastening the transmitter to the wall with 4 screws, for example, M6 (not provided).

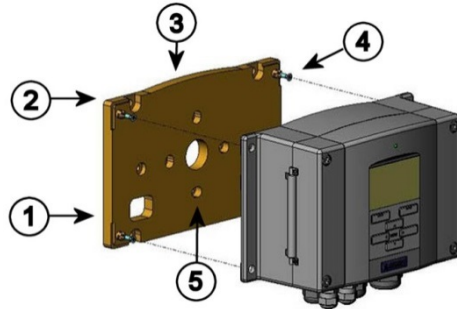


0601-011

Figure 6 Standard Mounting

Wall Mounting with Wall Mounting Kit

When mounting with wall mounting kit the mounting plate (Vaisala order code 214829) can be installed directly on wall or onto a standard wall box (also US junction box). When wiring through back wall, remove the plastic plug from the wiring hole in the transmitter before mounting.

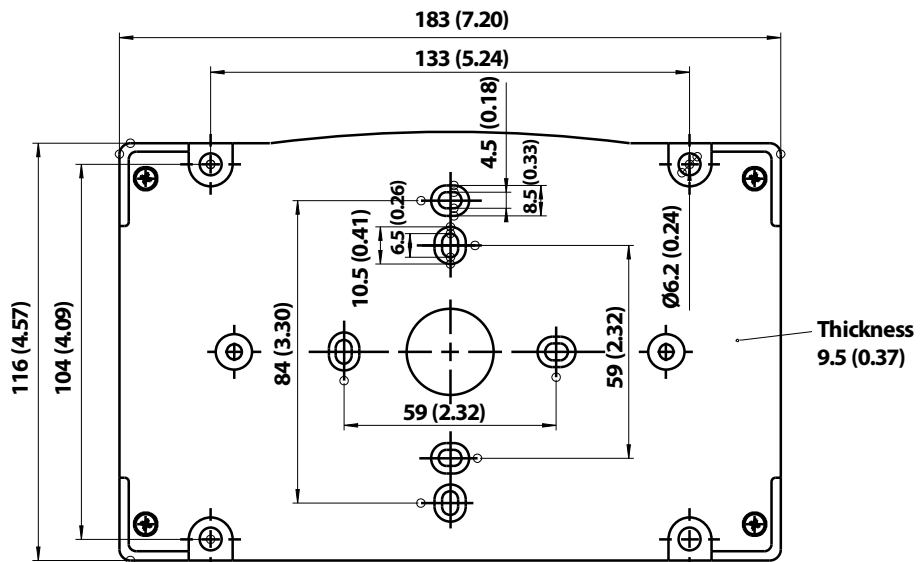


0503-004

Figure 7 Mounting with Wall Mounting Kit

The following numbers refer to Figure 7 above:

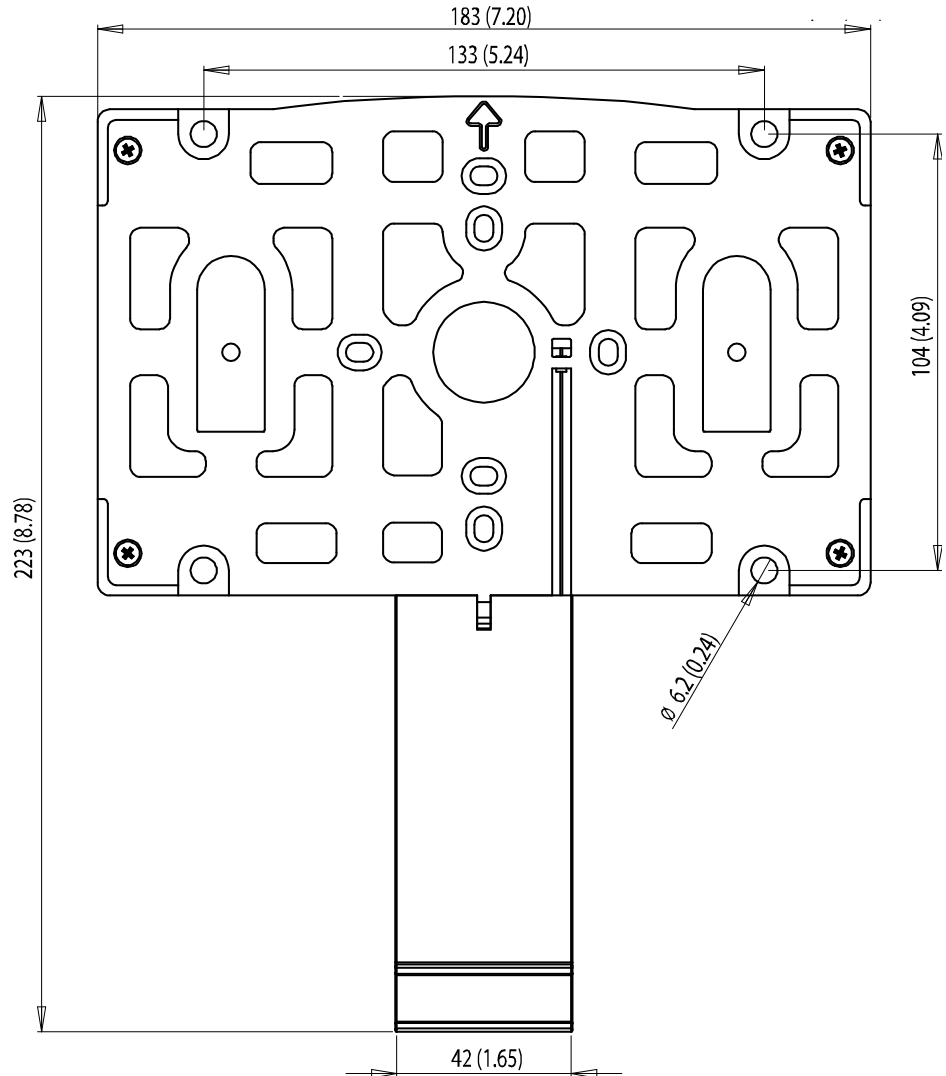
- 1 = Plastic mounting plate
- 2 = Mount the plate to wall with 4 screws M6 (not provided)
- 3 = Arched side up
- 4 = Fasten PTU300 to the mounting plate with 4 fixing screws M3 (provided)
- 5 = Holes for wall/junction box mounting



0804-065

Figure 8 Dimensions of the Plastic Mounting Plate (mm/inch)

The PTU301 short cable probe is designed to be wall mounted with the probe holder plate (Vaisala order code 226252). The probe holder plate is similar to the standard mounting plate, except for the probe holder at the bottom.



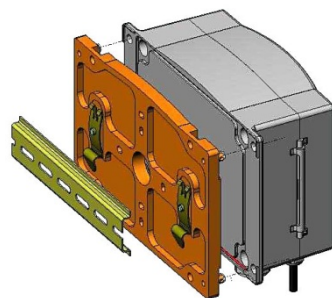
0911-061

Figure 9 Dimensions of the Probe Holder Plate (mm/inch)

Mounting with DIN Rail Installation Kit

DIN rail installation kit includes a wall mounting kit, 2 clip-fasteners and 2 screws M4 x 10 DIN 7985 (Vaisala order code 215094).

1. Attach two spring holders to the plastic mounting plate by using the screws provided in the installation kit.
2. Fasten PTU300 to the plastic mounting plate with 4 screws (provided).
3. Press the transmitter onto the DIN rail so that the clip-fasteners snap into the rail.

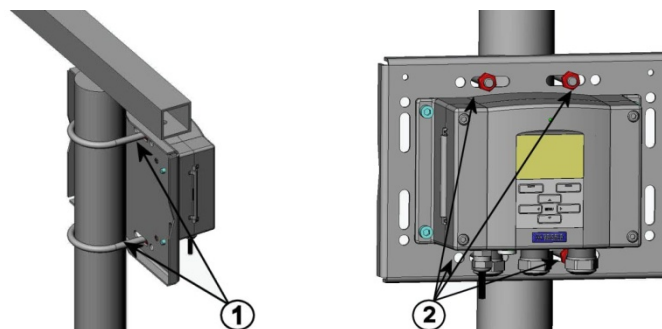


0503-002

Figure 10 Mounting with DIN Rail Installation Kit

Pole Installation with Installation Kit for Pole or Pipeline

Installation kit for pole or pipeline (Vaisala order code: 215108) includes the metal mounting plate and 4 mounting nuts for pole mounting. When mounting, the arrow in the metal mounting plate must point upward; see Figure 13 on page 33.



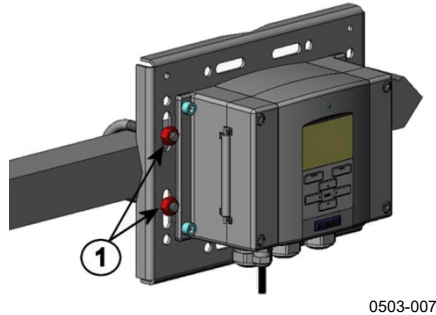
0503-006

Figure 11 Vertical Pole

The following numbers refer to Figure 11 above:

- 1 = U-bolts (2 pcs) M8 (provided) for 30 ... 102 mm poles*.
- 2 = Mounting nuts M8 (4 pcs)

* Note that if the transmitter has a D-9 connector (not recommended for outdoor installations), U-bolt mounting can only be used with poles at the upper end of the 30 ... 102 mm diameter range (approximately 80 mm and up).



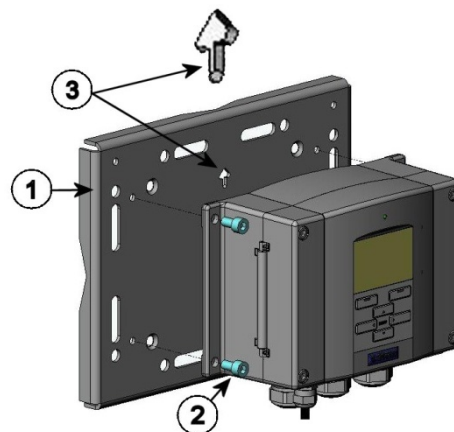
0503-007

Figure 12 Horizontal Pole

Number refers to Figure 12 above:

1 = Mounting nuts M8 (4 pcs)

Metal mounting plate is included in rain shield with installation kit and installation kit for pole or pipeline.



0503-041

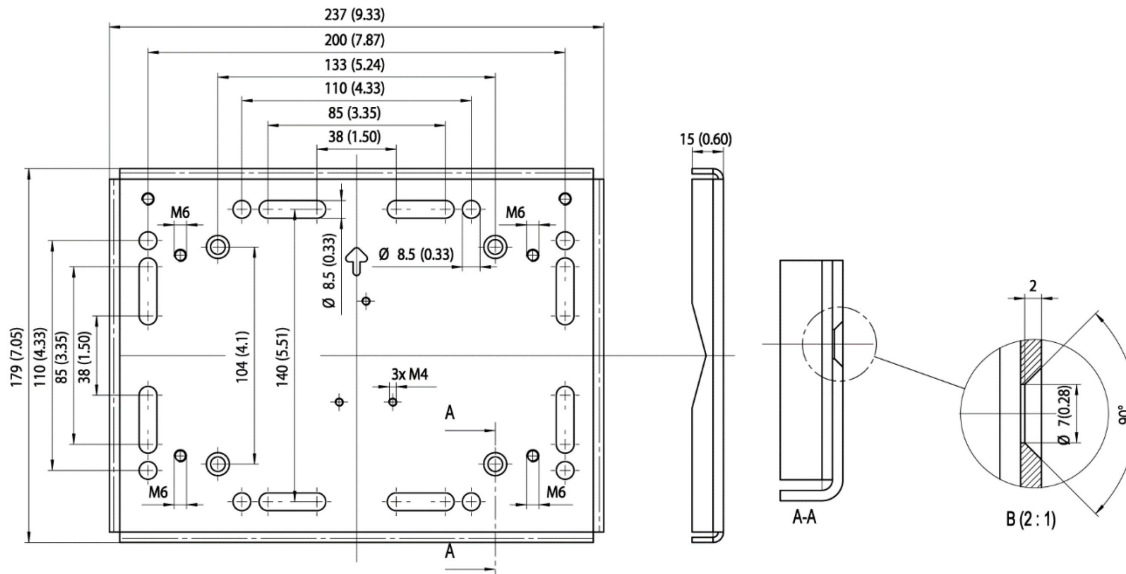
Figure 13 Mounting with Metal Wall Mounting Plate

The following numbers refer to Figure 13 above:

1 = Mount the plate to wall with 4 screws M8 (not provided)

2 = Fasten the PTU300 to the mounting plate with 4 fixing screws M6 (provided)

3 = Note the position of the arrow when mounting. This side must be up when mounting.

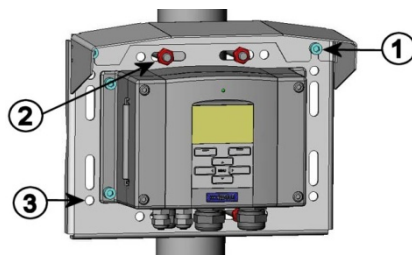


0509-151

Figure 14 Dimensions of Metal Mounting Plate (mm/inch)

Mounting Rain Shield with Installation Kit

The rain shield is highly recommended for outdoor installations, especially for transmitters with the display/keypad option.



0503-008

Figure 15 Mounting Rain Shield with Installation Kit

The following numbers refer to Figure 15 above:

- 1 = Fasten the rain shield with installation kit (Vaisala order code: 215109) to the metal mounting plate with 2 (M6) mounting screws (provided)
- 2 = Fasten the mounting plate with rain shield with installation kit to the wall or to the pole (see pole installation)
- 3 = Fasten the transmitter to the mounting plate with 4 fixing screws (provided)

Panel Mounting Frame

To enable a neat and dirt free embedded installation of the transmitter, a panel mounting frame is available as an option (Vaisala order code: 216038). The frame is a thin, flexible plastic frame for the transmitter, with adhesive tape on one side.

The frame is used to hide any rough edges of the installation hole, and provide a more finished look. Note that the panel mounting frame is not intended to bear the weight of the transmitter, and does not include any mounting supports.

Use the panel mounting frame as follows:

1. Use the frame as a template to mark the required size for the installation hole in the panel.
2. Cut the hole in the panel.
3. Mount the transmitter through the panel with suitable supports.
4. Remove the paper protecting the adhesive tape on the frame, and attach the frame around the transmitter. Refer to Figure 16 on page 35.

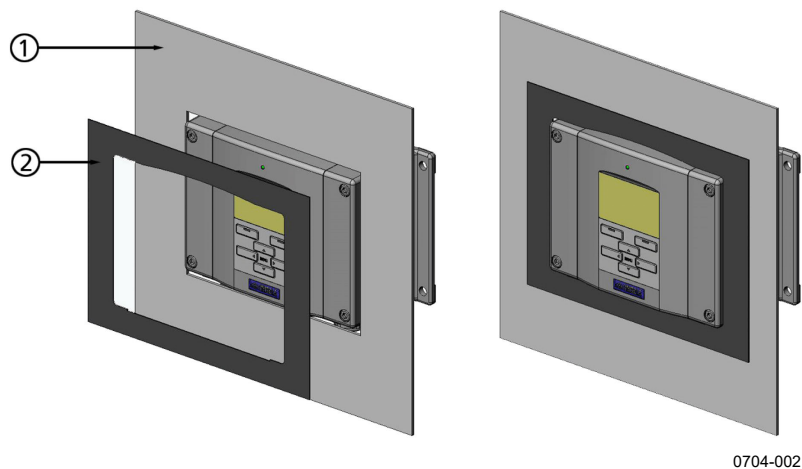
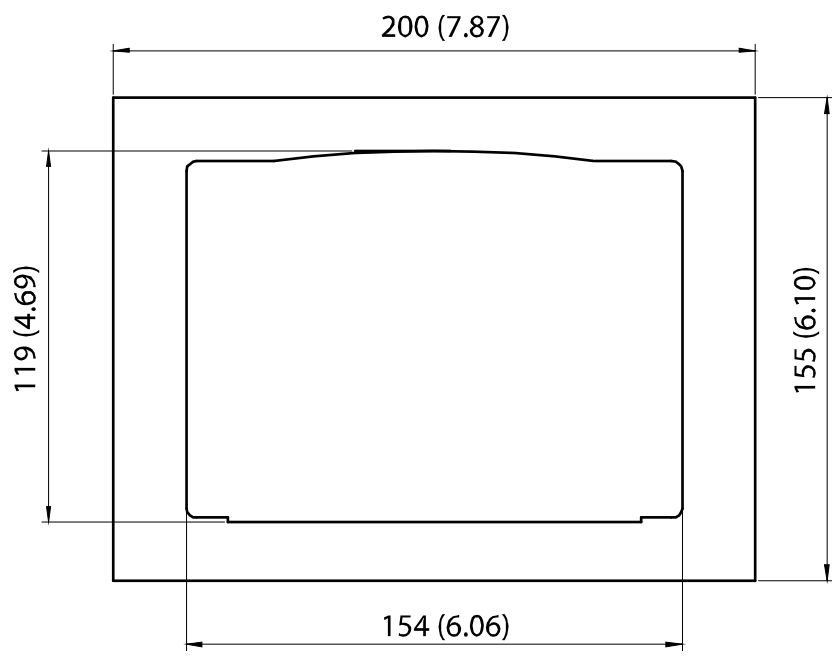


Figure 16 Panel Mounting Frame

The following numbers refer to Figure 16 above:

- 1 = Panel (not included)
2 = Panel mounting frame



0804-083

Figure 17 Panel Mounting Dimensions (mm/inch)

Wiring

Cable Bushings

A single electrical cable with a screen and three to ten wires is recommended for power and analog/serial connections. The cable diameter should be 8 ... 11 mm. The number of cable bushings depends on the transmitter options. See the following recommendations for the cable bushings:

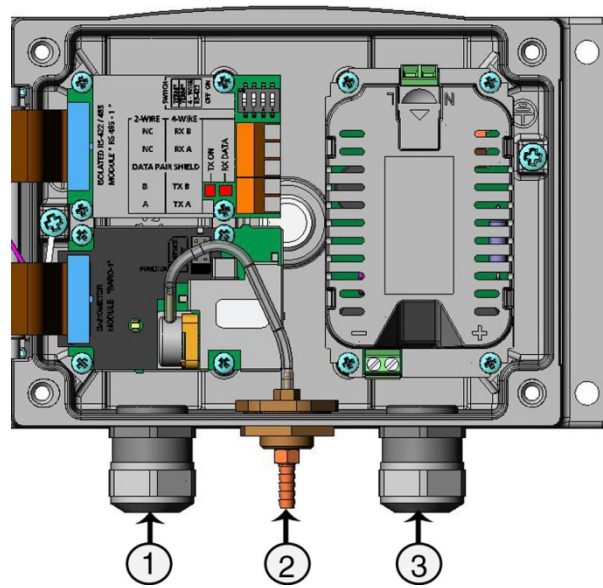


Figure 18 Cable Bushings

The following numbers refer to Figure 18 above:

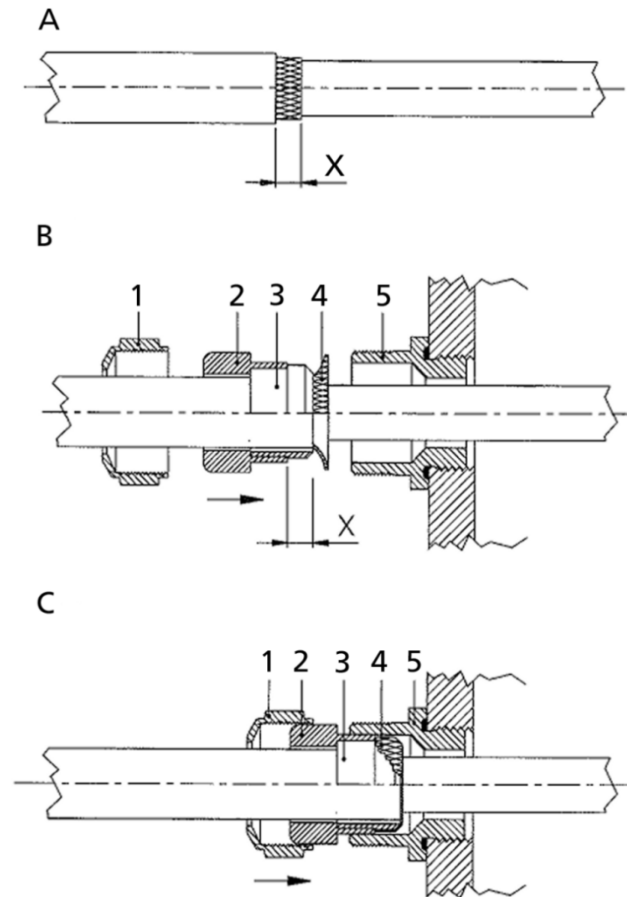
- 1 = Cable for signal/powering Ø8 ... 11 mm
- 2 = Pressure port
- 3 = Cable for optional power supply module Ø8 ... 11 mm

NOTE

When there is high electric noise level (for example, near powerful electric motor) in the operating environment it is recommended to use shielded cable or take care that the signal cables are separated from other cables.

Grounding the Cables

Ground the screen of the electrical cable properly to achieve the best possible EMC performance.



0605-027

Figure 19 Grounding the Screen of Electrical Cable

Refer to Figure 19 above when performing the procedure below.

1. Cut back outer sheath to desired length.
2. Cut back screen braiding or screen foil to dimension X.
3. Push the domed cap nut (item 1) and the seal insert with contact socket of the gland (item 2+3) onto the cable as shown in the diagram.
4. Bend over the screen braiding or screen foil by about 90° (item 4).
5. Push the seal insert with the contact socket of the gland (item 2+3) up to the screen braiding or screen foil.
6. Mount the lower part (item 5) on the housing.
7. Push the seal with the contact socket of the gland (item 2+3) into the lower part (item 5).
8. Install the domed cap nut (item 1) onto the lower part (item 5).

Grounding the Transmitter Housing

In case you need to ground the transmitter housing, the grounding connector is found inside the housing; see Figure 2 on page 25. Make sure that the probe is connected to the same potential as the housing, and that different groundings are made to the same potential. Otherwise harmful ground currents may be generated.

If it is needed to have galvanic isolation of the power supply line from the output signals, PTU300 can be ordered with optional galvanic isolation module. This module prevents harmful grounding loops.

Alternate Wiring Systems

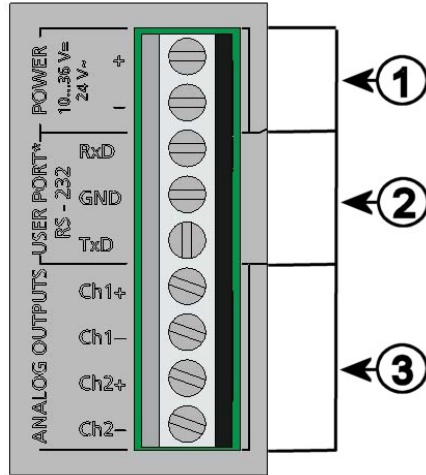
There are three optional ways to connect the transmitter: using basic wiring, using 8-Pin connector, or using D-9 connector.

The wiring system is selected when ordering the device. If a connector is needed for wiring, it is set at the factory.

- When using basic wiring, see section Signal and Power Supply Wiring.
- When using 8-Pin connector, see section 8-Pin Connector on page 41.
- When using D-9 connector, see section D-9 Connector on page 42.

Signal and Power Supply Wiring

When wiring the power supply module, see section Power Supply Module on page 49.



0506-028

Figure 20 Screw Terminal Block on Motherboard

The following numbers refer to Figure 20 above:

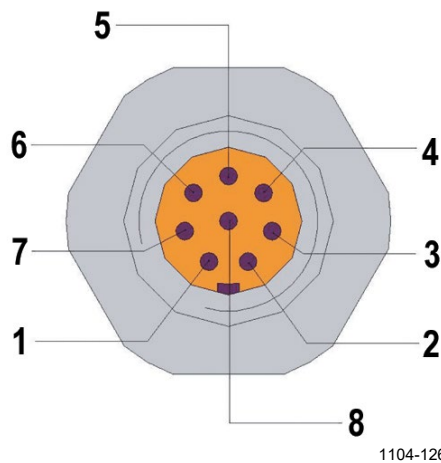
- 1 = Power supply terminals 10 ... 35 VDC, 24 VAC
- 2 = User port (RS-232 terminals)
- 3 = Analog signal terminals

WARNING Make sure that you connect only de-energized wires.

1. Open the transmitter cover by taking out the four cover screws.
2. Insert the power supply wires and signal wires through the cable bushing in the bottom of the transmitter; see the grounding instructions in the previous sections.
3. Connect the analog output cables to terminals: **Ch1 +, Ch1-, Ch2+, Ch2-**. Connect the RS-232 user port cables to terminals RxD, GND and TxD. For more information about the RS-232 connection refer to section Serial Line Communication on page 83.
4. When wiring the optional modules, see the corresponding section for instructions:
 - RS-422/485 Interface on page 58
 - Relays on page 56
 - Third Analog Output on page 54
 - LAN Interface on page 62
 - WLAN Interface on page 63

5. Connect the power supply wires to the connectors: **POWER 10...35V+ 24V~ (+) and (-)** terminals. If you are using 24 VAC power supply, see the note below before connecting the supply wires.
6. Turn on the power. The indicator LED on the cover is lit continuously during normal operation.
7. Close the cover and replace the cover screws. The transmitter is ready for use.

8-Pin Connector



1104-126

Figure 21 Pinout of the Optional 8-Pin Connector

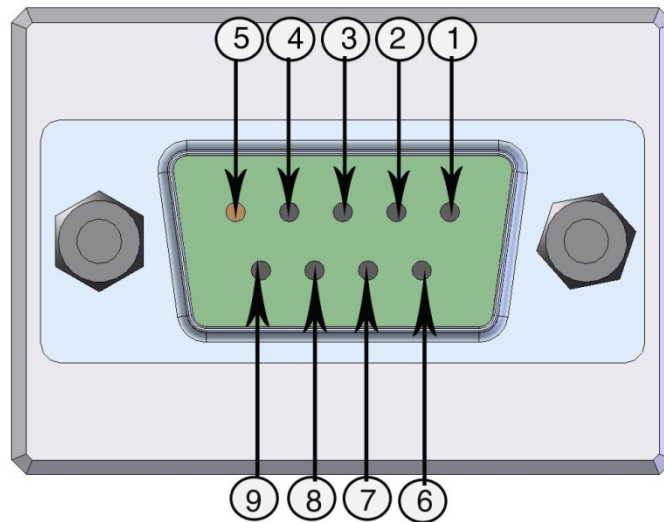
Table 7 Wiring of the Optional 8-Pin Connector

Pin	Wire	Serial Signal		Analog Signal
		RS-232 (EIA-232)	RS-485 (EIA-485)	
1	White	Data out TX	D1+	Ch 3-
2	Brown	(Serial GND)	(Serial GND)	Signal GND (for channels 1&2)
3	Green	-	-	Ch 2+
4	Yellow	-	-	Ch 1+
5	Grey	Supply -	Supply -	Supply -
6	Pink	Supply +	Supply +	Supply +
7	Blue	Data in RX	D0-	Ch 3+
8	Shield/Red	Cable shield	Cable shield	Cable shield

NOTE

The 8-pin connector cannot be used with relay modules or power supply module that have AC (mains) power connection.

D-9 Connector



0605-123

Figure 22 Wiring of Optional D-9 Connector

Table 8 Pin Assignments to RS-232/485 Serial Output

Pin	Wire Color	Serial Signal	
		RS-232 C	RS-485
1	Red		
2	White	TX	
3	Black	RX	
4	Yellow		
5	Brown	Ground	
6	Green		D0-
7	Blue	Ground for supply voltage	Ground for supply voltage
8	Grey		D1+
9	Orange	Supply voltage	Supply voltage

NOTE

Note that D-9 connector is not IP65 classified and therefore not recommended for outdoor use.

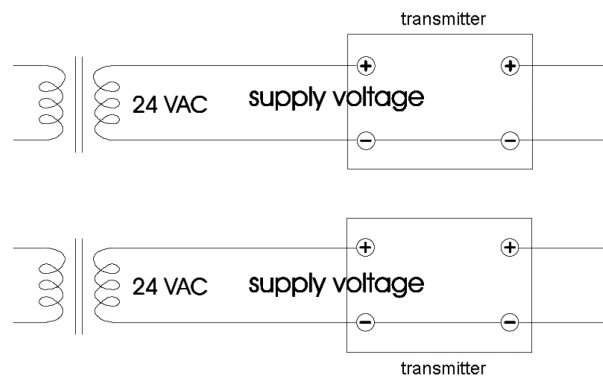
Connections to a 24 VAC Power Supply

Separate floating supply for each transmitter is recommended (see the upper part of Figure 23 below). If you have to connect several transmitters or other instruments to one AC supply, the phase (~) must always be connected to the (+) connector of each transmitter (see the lower part of Figure 23).

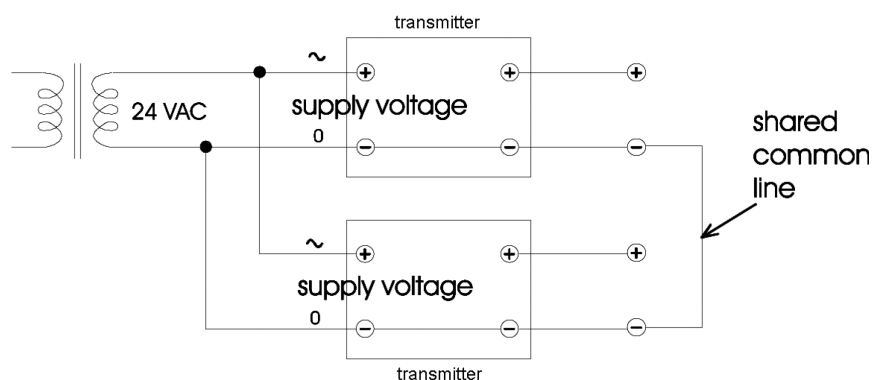
CAUTION 24 VAC POWER SUPPLY USE

To prevent fire and/or damage, if either 24 VAC wire is grounded or connected to a "-", "0", or "GND" terminal of any other device, you must connect the same wire on the "-" terminal also on this instrument.

No common loop - RECOMMENDED!



Common loop formed - NOT recommended!



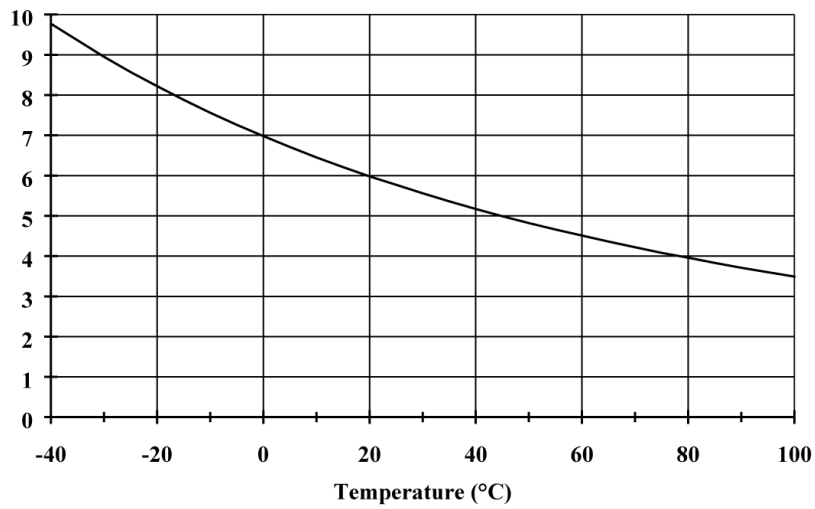
0703-041

Figure 23 Connections to 24 VAC Power Supply

Probe Mounting

In humidity measurement and especially in calibration it is essential that temperature of the probe and measuring environment is the same. Even a small difference in temperature between the environment and the probe causes an error. As the curve below shows, if the temperature is +20 °C and the relative humidity 100 %RH, a difference of ± 1 °C between the environment and the probe causes an error of ± 6 %RH.

The graph below illustrates the measurement error at 100 %RH when the difference between the ambient and sensor temperature is 1 °C.



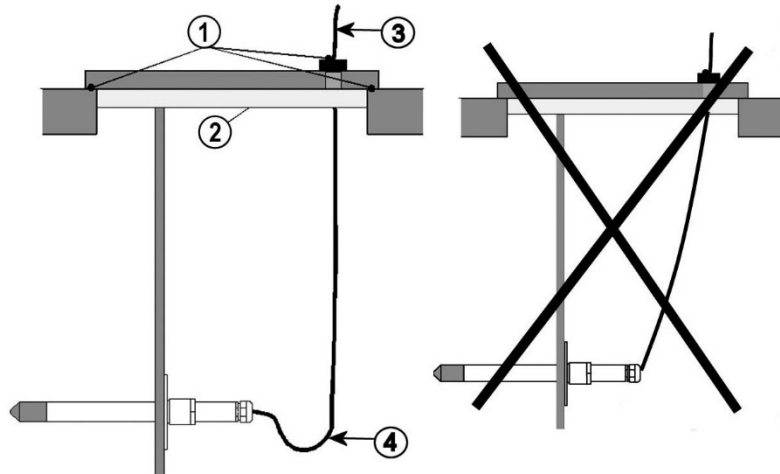
0507-023

Figure 24 Measurement Error at 100 %RH

General Instructions for Probes with Cable

Mount the probes with a cable with the probe **horizontally**; this way, any water condensing on the tube cannot flow onto the sensor.

When there is no alternative but to install the probe in the process **vertically**, the point of entry must be carefully insulated. The cable must also be allowed to hang loosely as this prevents any condensed water from running onto the probe along the cable.

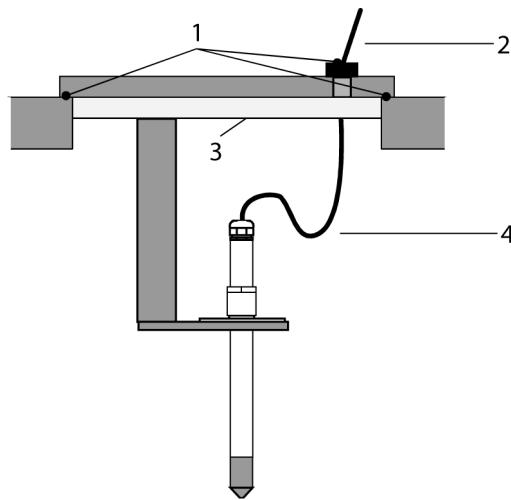


0507-024

Figure 25 Horizontal Mounting of Probe

The following numbers refer to Figure 25 above:

- 1 = To be sealed
- 2 = To be insulated
- 3 = Insulate the cable
- 4 = Let the cable hang loosely. This prevents condensed water running to the sensor along the cable.



0507-022

Figure 26 Vertical Mounting of Probe

The following numbers refer to Figure 26 above:

- 1 = To be sealed
- 2 = Insulate the cable
- 3 = To be insulated
- 4 = Let the cable hang loosely. This prevents condensed water running to the sensor along the cable.

NOTE

Please do not attach a heated probe (PTU307) to metal structures to avoid condensation problems caused by heat conduction along the metal.

If the process temperature is much higher than that of the environment, the whole probe and preferably plenty of cable must be inside the process. This prevents measuring inaccuracy caused by heat conduction along the cable.

When mounted on the side of a duct or channel, the probe must be inserted from the side of the duct. If this is not possible and the probe must be inserted from the top, the point of entry must be carefully insulated.

For Vaisala probe installation kits and some installation examples see Appendix A on page 199.

PTU303 for General Use

The PTU303 is a small size (d=12 mm) probe for general use, up to +80 °C (+176 °F) (barometric pressure measurement temperature limit +60 °C (140 °F)). The probe is suitable for weather stations, environmental compensations, laser interferometers and test benches. It is suitable for ducts and channels with the installation kit available from Vaisala.

See Appendix A on page 199 for the following probe installation kits for PTU303 and installation examples.

- Duct mounting kit
- Cable gland

PTU307 for High Humidities

The PTU307 is for environment where relative humidity is very high, near saturation. The warmed probe prevents the saturation of the sensor. An additional temperature probe is also available.

The PTU307 RH+T probe is suitable for temperatures up to +180 °C (+356 °F) (barometric pressure measurement temperature limit +60 °C (140 °F)).

See Appendix A on page 199 for a presentation of the following probe installation kits for PTU307 with installation examples:

- Duct mounting kit
- Cable gland
- Pressure tight Swagelok connector
- Vaisala's Meteorological Installation kit

The installation kits are available for both humidity and temperature probe.

Temperature Probe (Optional)

An additional temperature probe is available to measure the ambient temperature on the PTU307 (with probe warming) and PTU30T transmitter models. The additional temperature probe allows you to measure other humidity quantities apart from dew point and mixing ratio. The temperature probe must be connected to the transmitter at the factory. Do not cut and re-connect the cable yourself.

You must install the additional temperature probe in the same measurement environment as the PTU307 probe. Make sure that heat does not transfer from the warmed probe to the temperature probe.

Operational Temperature Limits

Note that the operational temperature limits for the PTU307, PTU303 and PTU30T probes are higher than for the PTU300 transmitter itself. The transmitter's temperature limit is based on the upper temperature limit for barometric pressure measurement, +60 °C (140 °F), and this applies to all PTU300 series models.

Table 9 below lists the operational temperature limits of the PTU300 series probes when they are used in RH or T measurement:

Table 9 PTU301, 303, 307 and 30T Temperature and Operating Pressure Ranges

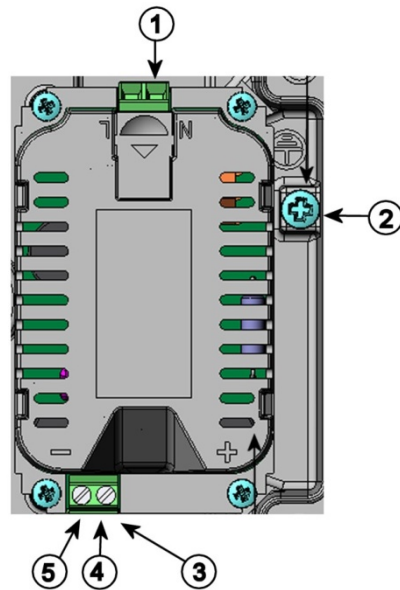
	PTU 301	PTU303	PTU 307	PTU30T*
Transmitter barometric measurement temperature limit	-40 ...+60 °C (-40...+140 °F)	-40 ...+60 °C (-40...+140 °F)	-40 ...+60 °C (-40...+140 °F)	-40 ...+60 °C (-40...+140 °F)
Probe operational temperature limit when measuring RH or T	-40 ...+60 °C (-40...+140 °F)	-40 ...+80 °C (-40 ...+176 °F)	-40 ...+180 °C (-40 ...+356 °F)	-70 ...+180 °C (-94 ...+356 °F) *
Accuracy at +20 °C (+68 °F)	± 0.2 °C (± 0.4 °F)	± 0.2 °C (± 0.4 °F)	± 0.2 °C (± 0.4 °F)	± 0.1 °C (± 0.18 °F)
Temperature units	°C, °F	°C, °F	°C, °F	°C, °F

* PTU30T is used for T and P measurements only, RH measurement not in use.

Optional Modules

Power Supply Module

The AC (mains) power connection may be connected to the power supply module only by an authorized electrician. A readily accessible disconnect device shall be incorporated in the fixed wiring.



0506-027

Figure 27 Power Supply Module

The following numbers refer to Figure 27 above:

- 1 = Connect AC (mains) voltage wires to these terminals
- 2 = Grounding terminal
- 3 = In case the module is not installed in the factory: Connect wires from these terminals to the POWER 10 ... 35V 24V terminals of the motherboard.
- 4 = +
- 5 = -

Installation

1. Disconnect the power and open the transmitter cover.
2. Remove the protective plug from the cable gland and thread the wires. In case the power supply module is installed in the factory, continue with the step 5.
3. To attach the module fasten the power module to the bottom of the housing with four screws. See the position Figure 2 on page 25.
4. Connect the wires from the terminals of the power supply module marked with + and - to the terminals **POWER 10 ... 35 V 24V** on the motherboard of the transmitter.
5. Connect the AC mains voltage wires to the power supply module terminals marked with **N** and **L**.
6. Attach the grounding wire to the grounding terminal on the right-hand side of the transmitter.
7. Connect the power. The LED on the cover of the transmitter is lit continuously during normal operation.

WARNING Do not detach the power supply module from the transmitter when the power is on.

WARNING Do not connect the mains power to power supply module when it is not installed in the transmitter.

WARNING Always connect protective ground terminal.

Warnings

Dieses Produkt entspricht der Niederspannungsrichtlinie (2006/95/EWG).

- Das Netzmodul darf nur von einem dazu befugten Elektriker angeschlossen werden.
- Trennen Sie das Netzmodul nicht vom Messwertgeber, wenn der Strom eingeschaltet ist.
- Verbinden Sie das Netzmodul nur mit der Spannungsquelle, wenn es im Messwertgeber PTU300 montiert ist.
- Das Erdungskabel muss zum Schutz immer angeschlossen sein.

Ce produit est conforme à la Directive relative à la Basse Tension (2006/95/EEC).

- Seul un électricien compétent est habilité à raccorder le module d'alimentation au secteur.
- Ne pas détacher le module d'alimentation du transmetteur lorsqu'il est en service.
- Ne pas raccorder le secteur au module d'alimentation lorsque celui-ci n'est pas installé dans le transmetteur PTU300.
- Toujours raccorder un bornier de protection à la terre.

Tämä tuote on pienjännitedirektiivin (2006/95/EEC) mukainen.

- Vaihtovirtaliitäntään saa kytkeä tehonsyöttömoduuliin ainoastaan valtuutettu sähköasentaja
- Älä irrota tehonsyöttömoduulia lähettimestä, kun virta on kytkettyä.
- Älä kytke verkkovirtaa tehonsyöttömoduuliin, jos kyseistä moduulia ei ole asennettu PTU300 lähettimeen.
- Kytke aina maadoitusliittimet.

Denna produkt uppfyller kraven i direktivet om lågspänning (2006/95/EEC).

- Nätanslutningen (växelströmsanslutningen) får bara anslutas till strömförsörjningsmodulen av en behörig elektriker.
- Ta inte loss strömförsörjningsmodulen från mätaren när strömmen är på.
- Anslut inte strömförsörjningsmodulen till nätet när den inte är installerad i PTU300-mätaren
- Anslut alltid en skyddande jordningsplint.

Questo prodotto è conforme alla Direttiva sul basso voltaggio (2006/95/CEE).

- La conduttura elettrica può essere collegata al modulo di alimentazione elettrica soltanto da un elettricista autorizzato.
- Non staccare l'alimentazione elettrica dal trasmettitore quando è acceso.
- Non collegare la corrente elettrica al modulo di alimentazione elettrica se non è installato nel trasmettitore PTU300.
- Collegare sempre il morsetto protettivo a terra!

Dette produkt er i overensstemmelse med direktivet om lavspænding (2006/95/EØS).

- Netstrømskoblingen til må kun tilsluttes strømforsyningsmodulet af en autoriseret elinstallatør
- Strømforsyningsmodulet må ikke løsføres fra senderen, mens spændingen er sluttet til.
- Slut ikke netspændingen til strømforsyningsmodulet, når det ikke er installeret i PTU300-senderen
- Forbind altid den beskyttende jordklemme!

Dit product voldoet aan de eisen van de richtlijn 2006/95/EEG (Laagspanningsrichtlijn).

- De stroom kan aan de stroomtoevoer module aangesloten worden alleen door een bevoegde monteur.
- Het is niet toegestaan de stroomtoevoer module van de transmitter los te koppelen wanneer de stroom aan is.
- Het is niet toegestaan de stroom aan de stroomtoevoer module aan te sluiten als deze niet in een PTU300-transmitter is gemonteerd.
- Altijd beschermend aardcontact aansluiten!

Este producto cumple con la directiva de bajo voltaje (2006/95/EEC).

- La conexión de la alimentación principal al módulo de alimentación sólo puede realizarla un electricista autorizado.
- No desenchufe el módulo de alimentación del transmisor cuando esté encendido.
- No conecte la alimentación principal al módulo de alimentación cuando no esté instalado en el transmisor PTU300.
- Conecte siempre el terminal de protección de conexión a tierra.

See toode vastab madalpinge direktiivile (2006/95/EEC).

- Voolukaabli võib vooluallika mooduli külge ühendada ainult volitatud elektrik.
- Ärge ühendage vooluallika moodulit saatja küljest lahti, kui vool on sisse lülitatud.
- Ärge ühendage voolukaablit vooluallika mooduli külge, kui seda pole PTU300-tüüpi saatjasse paigaldatud.
- Ühendage alati kaitsev maandusklemm!

Ez a termék megfelel a Kisfeszültségű villamos termékek irányelvnek (2006/95/EGK).

- A hálózati feszültséget csak feljogosított elektrotechnikus csatlakoztathatja a tápegységmodulra.
- A bekapcsolt távadóról ne csatolja le a tápegységmodult.
- Ne csatlakoztassa a hálózati feszültséget a tápegységmodulhoz, ha az nincs beépítve a PTU300 távadóba.
- Feltétlenül csatlakoztasson földelő védőkapcsot!

Šis produktas atitinka direktyvą dėl žemos įtampos prietaisų (2006/95/EB).

- Elektros tinklą su energijos tiekimo modulių sujungti gali tik įgaliotas elektrikas.
- Niekada neišimkite energijos tiekimo modulio iš siūstuvo, kai maitinimas yra įjungtas.
- Jei energijos tiekimo modulis nėra įmontuotas PTU300 siūstuve, nejunkite jo į elektros tinklą.
- Visada prijunkite prie apsauginės įžeminimo jungties!

Šis produktas atbilst Zemsprieguma direktivai (2006/95/EEC).

- Strāvas pieslēgumu var pieslēgt pie barošanas avota moduļa tikai autorizēts elektriķis.
- Neatvienot barošanas avota moduli no raidītāja, kad pieslēgta strāva.
- Nepievienot strāvu barošanas avota moduļim, ja tas nav uzstādēts PTU300 raidītājā
- Vienmēr pievienot aizsargājošu iezemētu terminālu !

Ten produkt spełnia wymogi Dyrektywy niskonapięciowej (2006/95/EEC).

- Napięcie zasilające powinno zostać podłączone do modułu zasilacza tylko przez wykwalifikowanego elektryka.
- Nie wolno odłączać modułu zasilacza od nadajnika, kiedy zasilanie jest włączone.
- Nie wolno podłączać napięcia zasilającego do modułu zasilacza, kiedy nie jest on zamontowany w nadajniku PTU300.
- Zawsze należy podłączać zabezpieczający zacisk uziemiający!

Tento výrobek vyhovuje Směrnici pro nízké napětí (2006/95/EEC).

- Připojení síťového napájení k napájecímu modulu smí provádět pouze oprávněný elektrikář.
- Neodpojujte napájecí modul od snímače při zapnutém napájení.
- Nepřipojujte síťové napájení k napájecímu modulu, pokud není instalován ve snímači PTU300.
- Vždy zapojte ochrannou zemnicí svorku!

Galvanic Isolation of the Power Supply

If galvanic isolation of the power supply line from the output signals is needed, PTU300 can be ordered with optional galvanic isolation module. This module prevents harmful grounding loops.

NOTE

Galvanic isolation module is not needed when using the AC power supply module. Note also that these two modules are physically incompatible to be installed at the same time. If both modules are installed, there is no room to close the transmitter cover completely.

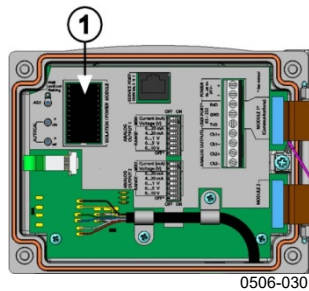


Figure 28 Galvanic Isolation Module

Number refers to Figure 28 above:

- 1 = Galvanic isolation module

Third Analog Output

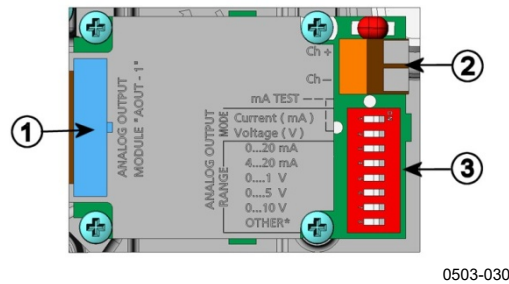


Figure 29 Third Analog Output

The following numbers refer to Figure 29 above:

- 1 = Flat cable pins
- 2 = Screw terminals for signal line
- 3 = DIP switches to select the output mode and range

Installation and Wiring

1. Disconnect the power. In case the analog output module is installed in the factory, continue with the step 4.
2. To attach the module, open the transmitter cover and fasten the analog output module to the position for MODULE 1 with four screws. Refer to Figure 2 on page 25.
3. Connect the flat cable between the analog output module and the motherboard's connector for MODULE 1.
4. Take out the protective plug from the cable gland and thread the wires.
5. Connect the wires to the screw terminals marked with **Ch+** and **Ch-**.
6. Select the current/voltage output by setting ON either of the switches 1 or 2.
7. Select the range by setting ON one of the switches 3...7.

NOTE

Only one of the switches 1 ... 2 can be ON at a time.

Only one of the switches 3 ... 7 can be ON at a time.

	OFF	ON	Selection
Channel 3	1		Current output selection, ON=Current output selected
	2		Voltage output selection, ON=Voltage output selected
	3		0...20 mA selection, ON= 0...20 mA selected
	4		4... 20 mA selection, ON= 4... 20 mA selected
	5		0...1 V selection, ON=0...1 V selected
	6		0...5 V selection, ON=0...5 V selected
	7		0...10 V selection, ON= 0...10 V selected.
	8		For service use only, keep always in OFF position.

0508-029

Figure 30 Third Analog Output Selection

8. Connect the power.
9. Select the quantity and scale the channel via the serial line or display/keypad, see section Analog Output Quantities on page 132. For testing the analog output, see section Analog Output Tests on page 134. For fault indication setting, see section Analog Output Fault Indication Setting on page 135.

Relays

PTU300 can be equipped with one configurable relay module. Each module contains two configurable relays. See the contact ratings in section Technical Specifications of Optional Modules on page 191.

Installation and Wiring

1. Disconnect the power and open the transmitter cover. In case the relay-module is installed in the factory, continue with step 5.
2. To attach the module fasten the relay module to the bottom of the housing with four screws. See the position in Figure 2 on page 25.
3. When the mains power is in use attach the grounding wire to the grounding terminal.
4. Connect the flat cable between the relay module and the **MODULE 1** pins of the motherboard.
5. Take out the protective plug from the cable gland and thread the relay wires.
6. Connect the wires to the screw terminals: NO, C, and NC. Refer to section Selecting the Activation State of the Relay.
7. Connect the power and close the cover.

Selecting the Activation State of the Relay

The middlemost C terminal and either one of the terminals NO/NC must be connected. The polarity can be freely selected.

NO Normally open
C Common relay
NC Normally closed

Relay NOT activated: C and NC outputs are closed, NO is open
Relay IS activated: C and NO outputs are closed, NC is open.

NOTE

For instructions on how to operate the relay (for example, selecting quantity for the relay output and setting the relay setpoints), see section Operation of Relays on page 136.

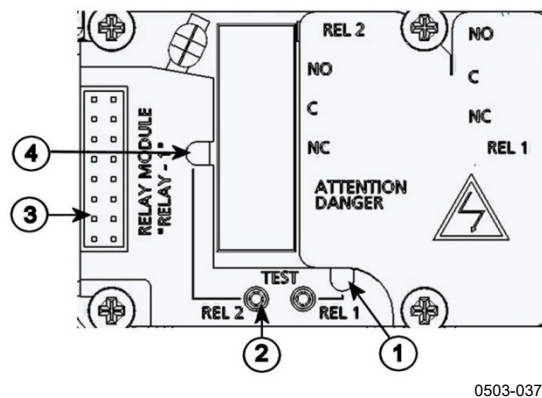


Figure 31 Relay Module

The following numbers refer to Figure 31 above:

- 1 = Indication led for the relay 1 or 3
- 2 = Relay test buttons
- 3 = Flat cable pins
- 4 = Indication led for relay 2 or 4

WARNING The relay module may contain dangerous voltages even if the transmitter power has been disconnected. Before opening the transmitter you must switch off **both** the transmitter **and** the voltage connected to the relay terminals.

WARNING Do not connect the mains power to relay unit without grounding the transmitter.

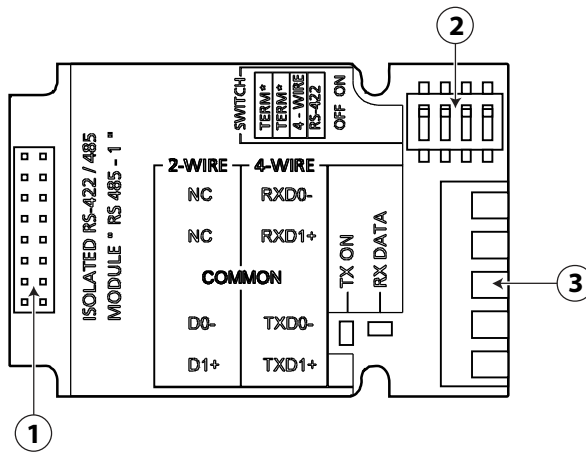
RS-422/485 Interface

The RS-422/485 interface enables communication between an RS-485 network and the PTU300 transmitter. The RS-485 interface is isolated and offers a maximum communications rate of 115 200 bits/s. (For maximum bus length of 1 km, use bit rate 19200 b/s or less.)

When selecting an RS-232 to RS-485 converter for the network, avoid self-powered converters, as they do not necessarily support the needed power consumption.

NOTE

RS-232 User Port on PTU300 main board cannot be used and connected when RS-485 module is connected. Service port operates normally.



1102-023

Figure 32 RS-485 Module

The following numbers refer to Figure 32 above:

- 1 = Flat cable pins
- 2 = Selection switches
- 3 = Screw terminals for wiring

NOTE

The data lines on earlier versions of the RS-422/485 module are marked A and B instead of D1+ and D0-. When the line is idle, D1+ has positive voltage compared to D0-.

When connecting the module, be prepared to swap the D1+ and D0- wires if you have a communication problem.

Installation and Wiring

1. Disconnect the power. In case the RS-422/485 module is installed in the factory, continue with the item 4.
2. To attach the module, open the transmitter cover and fasten the RS-422/485 module to the bottom of the housing with four screws.
3. Connect the flat cable between the RS-422/485 module and the motherboard's pins **MODULE1 (Communications)**.
4. Pull the network wirings through the cable gland.
5. Connect the twisted pair wires (1 or 2 pairs) to the screw terminals as presented in Table 10 below:

Table 10 Connecting the Twisted Pair Wires to the Screw Terminals

Screw Terminal	Data Line (2-wire RS-485)	Data Line (4-wire RS-422/485)
1	(not connected)	Rx D0-
2	(not connected)	Rx D1+
3	Common	Common
4	D0-	Tx D0-
5	D1+	Tx D1+

To avoid problems in the RS-422/485 network, the Common terminal should be wired to the corresponding terminals of the other devices.

6. If you use RS-422 or RS-485 to connect just one PTU300 to a master computer, enable the internal termination of PTU300 by switching switches 1 and 2 ON. Make sure that the master's end of the line is also terminated (by using master's internal termination or with a separate terminator).

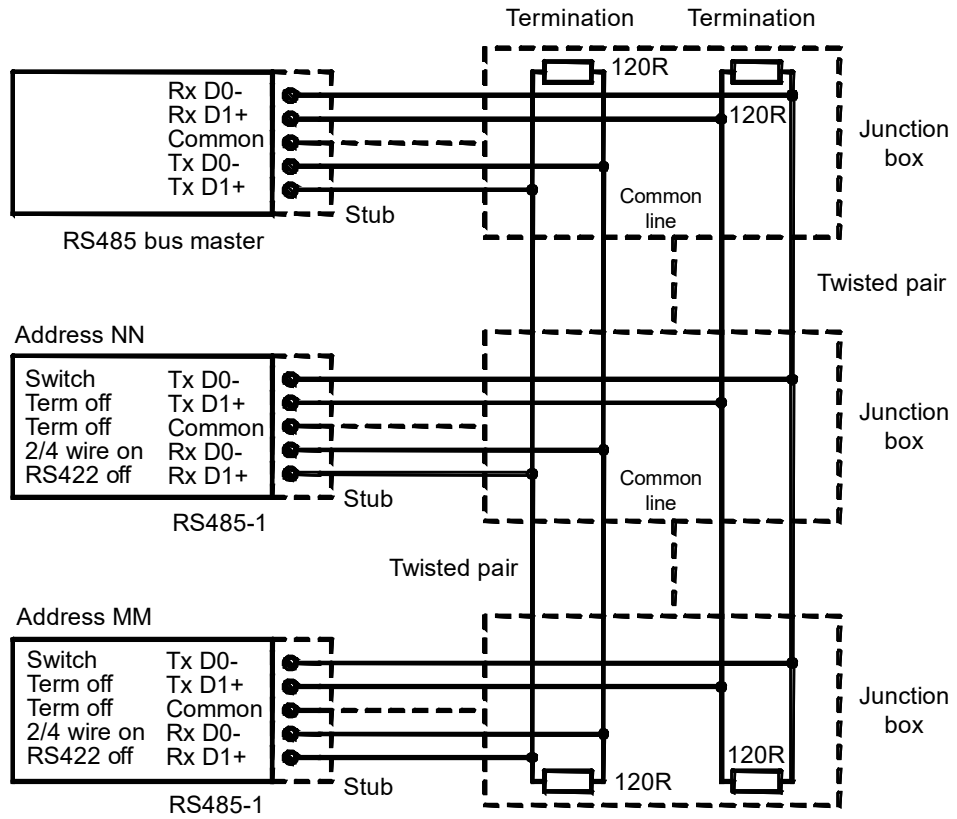
If you are connecting many transmitters to the same RS-485 bus, make sure that switches 1 and 2 are OFF and terminate the bus with separate terminators at both ends. This allows removing any transmitter without blocking the bus operation.

NOTE

If you use the internal termination of the transmitter at the end of the RS-485 bus (instead of using separate terminators) removing that transmitter will block the bus operation.

7. Use the bus type (4-wire/2-wire) to select the selection switch 3.

In 4-wire mode RS-485 master sends data to the PTU300 through terminals Rx D1+ and Rx D0- and receives data from PTU300 through terminals Tx D1+ and Tx D0-.



Baud > 19.2K Stub < 10ft, 3m
 Baud > 112K Stub < 1ft, 0.3m

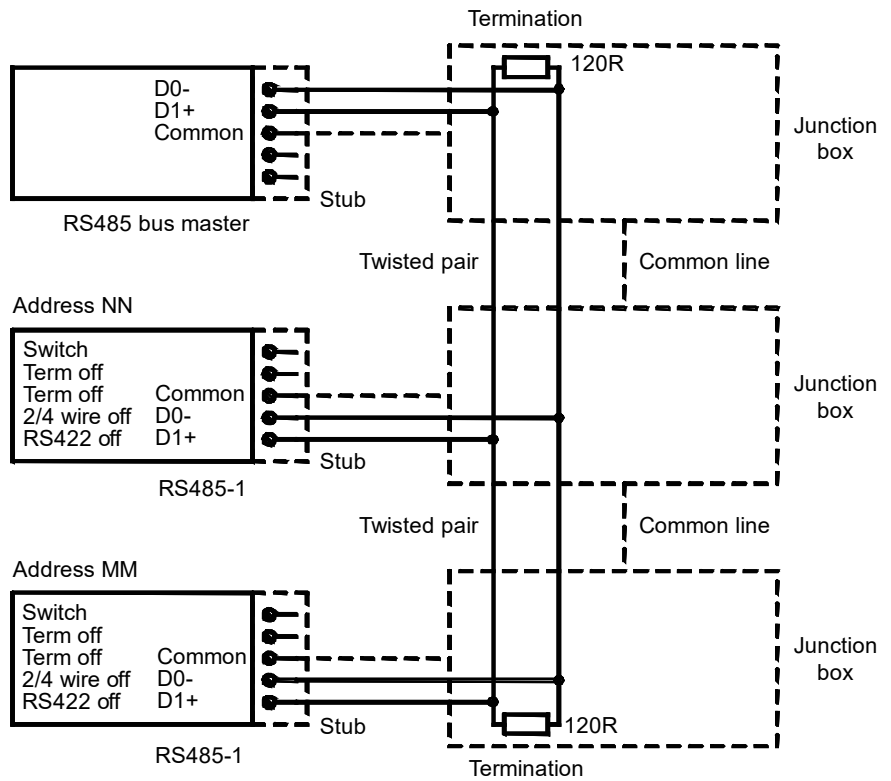
Termination Termination

1102-028

Figure 33 4-Wire RS-485 Bus

Table 11 4-Wire (Switch 3: On)

RS-485 master	Data	PTU300
Tx D1+	→	Rx D1+
Tx D0-	→	Rx D0-
Rx D1+	←	Tx D1+
Rx D0-	←	Tx D0-



1102-027

Figure 34 2-Wire RS-485 Bus

Table 12 2-Wire (Switch 3: Off)

RS-485 master	Data	PTU300
D1+	↔	D1+
D0-	↔	D0-

8. When operating in communication mode RS-422, set both switches 3 and 4 to ON position (4-wire wiring is required for RS-422 mode).
9. Connect the power and close the cover.

LAN Interface

The optional LAN interface enables an Ethernet connection to the transmitter. The user can establish a virtual terminal session using a Telnet client program such as PuTTY or by using Modbus TCP protocol. When the LAN interface is in use, serial communication using the RS-232 User Port is disabled.

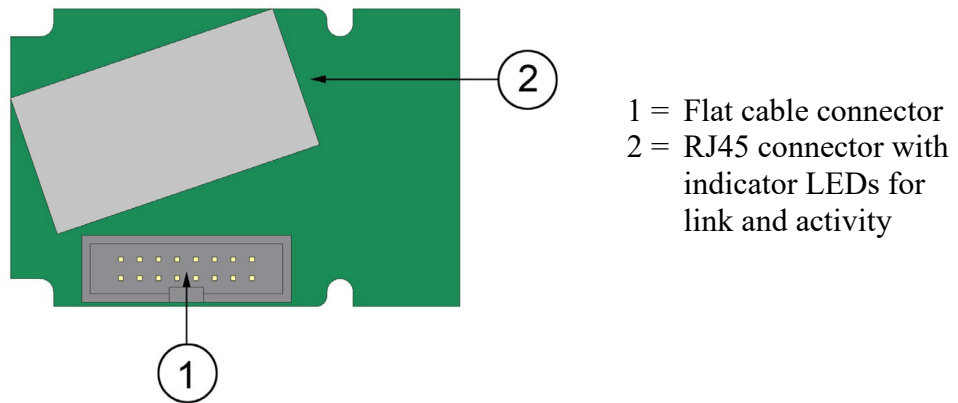
The LAN interface module must be installed at the factory (when ordering the transmitter), or by a Vaisala Service Center. Once installed, the module is automatically used by the transmitter. The physical connection to the network is made to the RJ45 connector on the LAN interface module, using a standard twisted pair Ethernet cable (10/100Base-T). Transmitters with the optional LAN interface are delivered pre-installed with a suitable cable and cable gland.

The LAN interface can use both static and dynamic network settings. If the interface is configured to use dynamic settings, the network where the LAN interface is connected must have a DHCP server that provides the settings.

The network configuration can be done using the optional display and keypad, or by using the service port. For instructions, see section LAN Communication on page 86. The LAN interface also provides a web configuration interface, which you can access by entering the IP address of the LAN interface in the address field of a web browser. See section Web Configuration for LAN and WLAN on page 92.

CAUTION

The LAN interface is designed to be used in trusted network environments (trusted corporate LAN or VPN-based connection over internet). Avoid connecting the transmitter directly to a public network because the device can be attacked by a malicious user through the network.



0709-003

Figure 35 LAN Interface Module

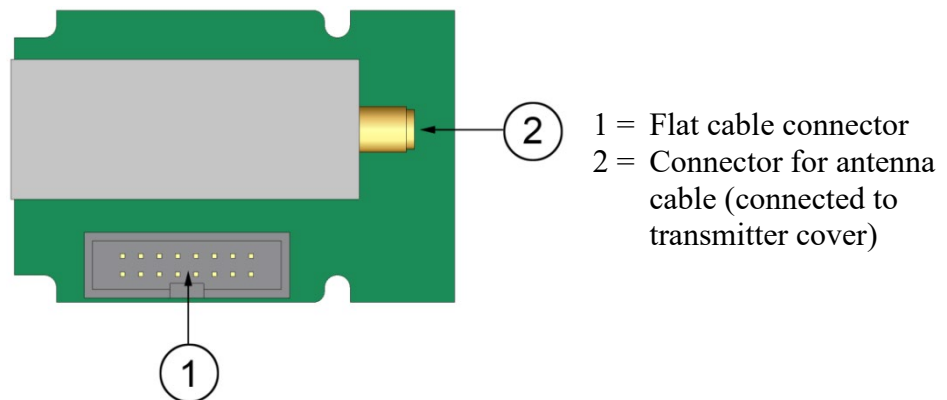
WLAN Interface

The optional WLAN interface enables a wireless Ethernet connection (IEEE 802.11b) to the transmitter. The user can establish a virtual terminal session using a Telnet client program such as PuTTY or by using Modbus TCP protocol. When the WLAN interface is in use, serial communication using the RS-232 User Port is disabled.

The interface supports Wired Equivalent Privacy (WEP) and Wi-Fi Protected Access (WPA, WPA2). For WEP, 64 and 128 bit encryption is supported, with open system or shared key authentication. WPA is used in the Pre-Shared Key (PSK) mode, with either TKIP or CCMP (also known as AES) encryption.

Similarly to the LAN interface, the WLAN interface can use both static and dynamic network settings. If the interface is configured to use dynamic settings, the network where the WLAN interface is connected must have a DHCP server that provides the settings.

The WLAN interface also provides a web configuration interface, which you can access by entering the IP address of the WLAN interface in the address field of a web browser. See section Web Configuration for LAN and WLAN on page 92.



0802-103

Figure 36 WLAN Interface Module

CAUTION

The WLAN interface is designed to be used in trusted network environments (trusted corporate LAN or VPN-based connection over internet). Avoid connecting the transmitter directly to a public network because the device can be attacked by a malicious user through the network.

NOTE

The default country setting for the WLAN interface is United States, which limits the operation to WLAN channels 1 ... 11. To enable additional channels (12 ... 14), you can change the country setting using the web configuration interface.

NOTE

The WLAN interface is not recommended for use with the PTU301 fixed probe model (for wall-mounted applications). The PTU301 short cable probe is designed to be used with the WLAN interface.

Attaching the WLAN Antenna

The WLAN interface module must be installed at the factory (when ordering the transmitter), or by a Vaisala Service Center. Before taking the transmitter into use, you must attach the antenna of the WLAN interface into the RP-SMA connector on the transmitter cover. The location of the antenna is shown in Figure 80 on page 196.

Data Logger Module

The optional data logger module extends the data storage for the measurement data. When the data logger is present, this storage is automatically used by the transmitter. The stored data can be browsed using the optional display module, and accessed through the serial connections. See sections Graphic History on page 72 and Data Recording on page 127.

The data logger module contains non-volatile flash memory providing 4 years 5 months of storage for 4 parameters at a 10 second sampling interval. When the memory is full, the data recording will not stop. Instead, the oldest data is overwritten. For each parameter and observation period, the module stores the minimum and maximum values during the interval, as well a data trend value that is averaged from samples taken during the interval (see Table 13 below).

Table 13 Observation Periods and Resolution

Observation Period	Period for Trend/Max./Min. Calculations (Resolution)
20 minutes	10 seconds
3 hours	90 seconds
1 day	12 minutes
10 days	2 hours
2 months	12 hours
1 year	3 days
4 years	12 days

The quantities that are logged are the same that have been selected for measurement using the display/keypad or the serial line. When taking the transmitter into use, verify that the desired quantities are selected. If you change the quantities later, the transmitter will start logging the new quantities, and stop logging the quantities that are no longer selected. Changing the quantities does not delete any measurement data that is

already in memory. However, the data of any removed quantity cannot be accessed unless the quantity is re-activated first.

The data logger module has a real time clock with a battery back-up. The clock has been set to the Coordinated Universal Time (UTC) at the factory, and its time cannot be set by the user. The data that is stored in the logger's memory is timestamped using the logger's clock.

When date and time are set on the transmitter, they are stored to the transmitter's memory as an offset from the time on the logger's clock. When browsing the stored data, the time offset is applied to the timestamps shown in the graphical history, and data outputted from the serial port. The timestamps in the data logger's memory remain as they were originally stored.

You can compensate for the clock drift (less than ± 2 min/year) by setting the time on the transmitter. This updates the time offset used on the display and the serial port. You can set the time by using the keypad/display or the serial commands.

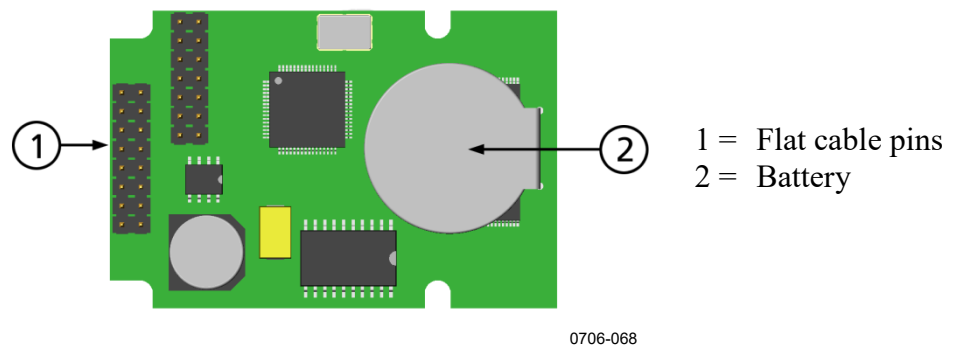


Figure 37 Data Logger Module

After a reset or a power up, it will usually take at least 10 seconds before the data logger module is initialized. The instrument will not start up before the data logger module is ready.

The indicator LED on the module will blink green during normal operation. If the LED is lit in red color, there is a problem with the module. The transmitter will also indicate the problem by activating the "Internal error on add-on module" error. If the module is not operating correctly, the transmitter must be sent to Vaisala for maintenance.

The data logger module must be installed at the factory (when ordering the transmitter), or by a Vaisala Service Center. Once installed, the module is automatically used by the transmitter. When the module requires a new battery, the transmitter must be sent to Vaisala for maintenance.

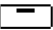
This page intentionally left blank.

CHAPTER 4

OPERATION

This chapter contains information that is needed to operate this product.

Getting Started

Within a few seconds after power-up the led on the cover of the transmitter is lit continuously indicating normal operation. If the data logger module is installed, the startup may take up to 18 seconds. When using the optional display and turning the transmitter on the first time, the language selection menu window opens. Select the language with the ▼▲ arrow buttons and press the **SELECT** button (the left-hand  button).

The pressure has an effect on humidity calculations and accuracy. Therefore, accurate calculations can be achieved only when the ambient pressure is taken into consideration. PTU300 uses measured pressure for compensation by default.

See section Pressure Compensation Settings on page 111 for instructions on how to set the pressure.

Display/Keypad (Optional)

The optional display and keypad combination enables shortcuts for viewing current settings and status of the device, current measurement values, and graph of the recent measurement history. Additionally the device has user friendly, visible menu system for adjusting settings and turning functions on or off.

Basic Display

Display shows you the measurement values of the selected quantities in the selected units. You can select 1 ... 4 quantities for the basic display (see section Changing Quantities and Units on page 103).

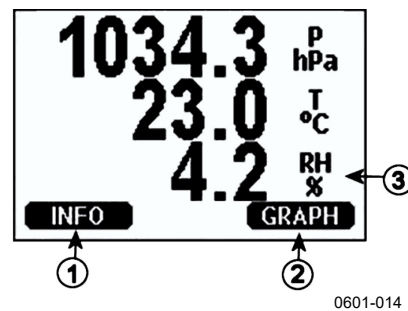


Figure 38 Basic Display

The following numbers refer to Figure 38 above:

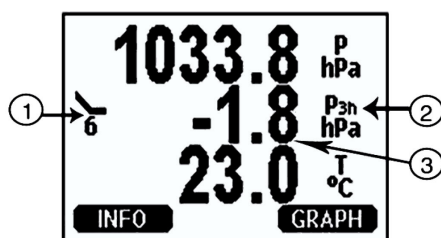
- 1 = **INFO** shortcut key; see section Information Display on page 74.
- 2 = **GRAPH** shortcut key; see section Graphic History on page 72.
- 3 = Quantities selected for display

NOTE

From any view, even in the absence of an **EXIT** button, a four-second press on the right-hand function button takes you directly to the basic display.

Pressure 3h Trend and Tendency Reading

Using Basic Display



0604-056

Figure 39 Basic Display with P_{3H} Trend and Tendency












The following numbers refer to Figure 39 above:

- 1 = Tendency: Increasing/decreasing graph symbol with the code number (for more information, see Figure 40 on page 70)
- 2 = P_{3h} symbol
- 3 = Trend (middlemost numeric value)

Pressure tendency graphics and codes

The characteristic symbols of pressure tendency during the three hours preceding the time of observation are described in Figure 40 on page 70.

Source: The World Meteorological Organization (WMO) publication Manual on Codes Vol. I.1, International Codes, Part A - Alphanumerical Codes, 1995 Edition, WMO - No. 306. Section C, Code Table 0200: a.

Pressure tendency	Code
	0
	1
	2
	3
	0
	4
	5
	5
	6
	7
	8

0604-055

Figure 40 Pressure Tendency Description

The following numbers refer to Figure 40 on page 70:

- 0 = Increasing, then decreasing; atmospheric pressure the same or higher than three hours ago
- 1 = Increasing, then steady; or increasing, then increasing more slowly; atmospheric pressure now higher than three hours ago
- 2 = Increasing (steadily or unsteadily); atmospheric pressure now higher than three hours ago
- 3 = Decreasing or steady, then increasing; or increasing then increasing more rapidly; atmospheric pressure now higher than three hours ago
- 4 = Steady; atmospheric pressure the same as three hours ago
- 5 = Decreasing, then increasing; atmospheric pressure the same or lower than three hours ago
- 6 = Decreasing, then steady; or decreasing, then decreasing more slowly; atmospheric pressure now lower than three hours ago
- 7 = Decreasing (steadily or unsteadily); atmospheric pressure now lower than three hours ago
- 8 = Steady or increasing, then decreasing; or decreasing then decreasing more rapidly; atmospheric pressure now lower than three hours ago

Using Serial Line

Pressure 3h trend and tendency reading is also available through serial line. Key in the lines below:

```
>form "P=" p "trend=" p3h "tend=" a3h #r#n  
OK
```

```
>send  
P= 1024.7trend= 0.8tend=1
```

The last line shows the values.

For more information on the Form command, see the section Changing Quantities and Units, starting on page 103.

Missing Trend

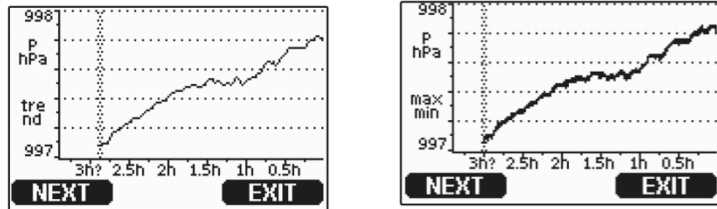
The PTU300 series barometers output a code "*" when the pressure tendency has not yet been calculated - that is, less than three hours have elapsed since the power-up of the barometer. The absence of the pressure trend is indicated in a similar manner, too.

NOTE

When the P_{3H} tendency is chosen as a display quantity, the PTU300 logs actual measured pressure, instead of trend or tendency value.

Graphic History

The graphical display shows the data trend or min/max graph of the selected quantities, one at a time. The graph is updated automatically while measuring.



0706-052

Figure 41 Graphical Display

Trend graph: Shows you a curve of average values. Each value is a calculated average over a period. See Table 14 below.

Max/min graph: Shows you the minimum and maximum values in a form of curve. Each point shows the absolute minimum and maximum observed during the time period represented by the data point. See Table 14 below.

Table 14 Periods for Trend and Max/Min Calculations

Observation Period	Period for Trend/Max/Min Calculations (Resolution)
20 minutes	10 seconds
3 hours	90 seconds
1 day	12 minutes
10 days	2 hours
2 months	12 hours
1 year	3 days
4 year*	12 days

* Shows the maximum logging period of the data logger module (available when data logger module is installed)

Use the following functions in the graphical display:

- Press the **NEXT** button to change between the trend graph and max/min graph for the quantities selected for display.
- Press the **EXIT** button to return to the basic display.
- Press the **▼ ▲** arrow buttons to zoom in and out in the graph window.
- Press the **◀ ▶** arrow buttons move the cursor (vertical bar) along the time axis. The cursor mode allows you to observe individual measuring points. The numerical value at the cursor position is shown at the left upper corner. The right upper corner shows the time from the present to the chosen moment (without the logger module), or the date and time at the cursor position (when the logger module is installed).

- If the optional data logger module is installed, you can scroll the cursor off the screen to move to a new point on the time axis. The new date will be displayed, and the cursor will be centered at the date where the cursor scrolled off the screen.

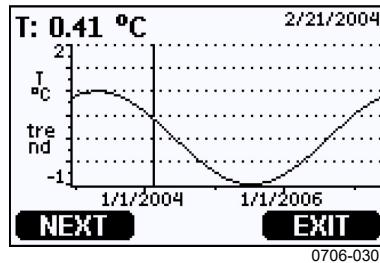


Figure 42 Graphical Display with Data Logger

If the data logger module is installed, you can move quickly on the time axis: zoom out, move the cursor, and zoom back in.

The time that is shown below the graph is adjusted with the current time offset of the transmitter. If you change the transmitter's date and time setting, the displayed timestamps in the history graph change accordingly. For an explanation of the effect of changing the date and time manually, see section Data Logger Module on page 64.

Table 15 Graph Information Messages in Cursor Mode

Message	Interpretation
Power outage	Power failure (marked also with dashed vertical line)
No data	Quantity has not been selected for the display
System error	General device or power supply problem
T meas. error	Temperature measurement/sensor failure
RH meas. error	Humidity measurement/sensor failure
P meas. error	Pressure measurement/sensor failure
Adj. mode active	Adjustment mode active (data recorded in the adjustment mode is not displayed)

A question mark after time indicates that at least one power failure (dashed vertical line) has occurred after the chosen moment. In this case, the exact time difference between the present and the cursor position is not exactly known. If the data logger module is installed, the time is known and the question marks are not present.

Information Display

The information display contains current settings and status of the device. You can open the display by pressing the left function button **INFO** in the basic display. The following information will be shown:

- Current sensor operation (for example, chemical purge), if any, in progress
- Present or past unacknowledged errors, if any
- Device identification; product name, version and serial number
- Adjustment information (the latest date, user made adjustments)
- Measuring settings
- Information on chemical purge settings (when applicable)
- Display Alarm settings
- Serial interface information
- Network settings and status of the LAN or WLAN interface (when applicable)
- Analog output information
- Relay output information (when applicable)

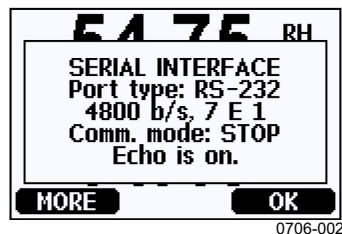


Figure 43 Device Information on Display

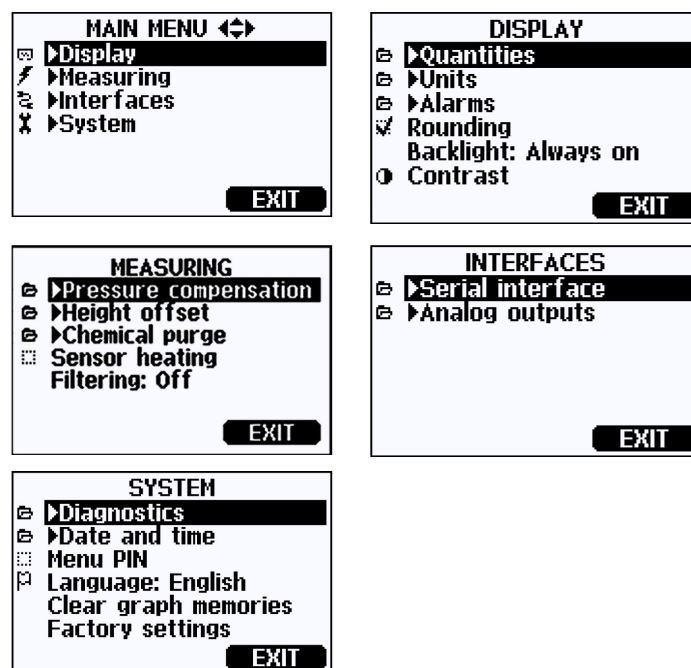
Proceed in the information views by pressing the **MORE** button repeatedly until you get the desired information. You can also press the left/right arrow buttons to browse through the information.

To exit the display, press the right function button **OK**.

Menus and Navigation

You can change settings and select functions in the menus.

1. Open the **Main Menu** by pressing any of the arrow buttons ▼ ▲ ◀ ▶ in the basic display mode.
2. Scroll the list upwards or downwards by pressing the up/down arrow buttons ▼ ▲. You can select an option by highlighting it.
3. To open a submenu, press the right arrow button ▶.
4. To return to the previous menu level, press the left arrow button ◀.
5. To return to the basic display directly, press the right function button EXIT.

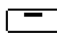
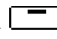
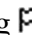


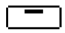
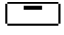
0706-028, 0706-053, 0802-040

Figure 44 Main Menu

Some menu items, such as **Chemical Purge** in the **Measuring** menu, are only shown if supported by the transmitter and the installed options.

Changing the Language

1. Go back to the basic display by keeping the right-hand  button pressed for four seconds.
2. Open the **Main Menu** by pressing any of the ▼ ▲ ◀ ▶ buttons.
3. Scroll to the **System** menu option, and press the ▶ button. The menu option is indicated with the wrench ⚙ symbol.
4. Scroll to the **Language** menu option, and press the left-hand  button. The menu option is indicated with the flag  symbol.

5. Select the language with the ▼▲ buttons, and confirm the selection by pressing the left-hand  button.
6. Press the right-hand  button to exit to the basic display.

Rounding Setting

Round off one decimal by using the Rounding function . The default setting is rounding on. Rounding has no effect on quantities without decimals.

1. Open the **Main Menu** by pressing any of the arrow buttons.
2. Select **Display** and press the right arrow button.
3. Select **Rounding** and press the **ON/OFF** key.
4. Press the **EXIT** key to return to the basic display.

Display Backlight Setting

As a default the display backlight is always on. In the automatic mode the backlight stays on for 30 seconds from the last press of any key. When pressing any key, the light turns on again.

1. Open the **Main Menu** by pressing any of the arrow buttons.
2. Select **Display**, press the right arrow button.
3. Select **Backlight**, press the **CHANGE** key.
4. Select **On/Off/Automatic**, press the **SELECT** key.
5. Press the **EXIT** key to return to the basic display.

Display Contrast Setting

Display contrast is automatically adjusted based on the ambient temperature. However, depending on the installation location and viewing direction, it may be necessary to fine-tune the contrast manually.

Using Display/Keypad

1. Open the **Main Menu** by pressing any of the arrow buttons.
2. Select **Display**, press the right arrow button.
3. Select **Contrast**, press the **ADJUST** key.
4. Adjust the contrast by pressing the left/right arrow buttons.
5. Press the **OK** key and then **EXIT** to return to the basic display

Using Serial Line

Use the serial line command **CON** to view or set the display contrast.

CON [xxx]<cr>

where

xxx = Contrast value for display. Recommended range -9 ... 9, default 0. Negative values make screen lighter, positive values make it darker.

Example (view current contrast setting):

```
>con  
Contrast      : 0  
>
```

Example (set contrast to 5):

```
>con 5  
Contrast      : 5  
>
```

Keypad Lock (Keyguard)

This function locks the keypad and prevents unintentional key presses.

1. Press and hold down the left function button for 4 seconds to lock the keypad (at any display).
2. To unlock the keypad, press and hold down the same key for 4 seconds.

Menu PIN Lock

You can prevent unauthorized changes of the device settings by activating the menu PIN lock. When this function is activated, the basic display, graphical view, and device information displays are available, but access to the menus is locked. The key symbol indicates the activation of this feature.

1. Open the **Main Menu** by pressing any of the arrow buttons.
2. Select **System**, press the right arrow button.
3. Select **Menu PIN**, press the **ON** key.
4. Enter a PIN code by using the up/down arrow buttons. Move to the next digit by pressing the left/right arrow buttons. Press the **OK** key to confirm the setting. Now the PIN lock is on and a key symbol is shown in a display.
5. Press the **EXIT** key to return to the basic display. Returning to the menu is possible only by entering the correct PIN code.

When you want to turn off the PIN lock, open the menu by entering the PIN code and select **System, Menu PIN**, press the **OFF** key.

In case you have forgotten the PIN code, open the transmitter cover and press the **ADJ** button once. Wait for a few seconds and the **Adjustment menu** opens. Select **Clear menu PIN**, press the **CLEAR** key.

NOTE

You can also disable the keypad completely with serial command **LOCK**. See section Locking Menu/Keypad using Serial Line on page 122.

Factory Settings

Use the display/keypad to restore the factory settings. This operation does not affect the adjustments. Only settings available in the menus are restored.

1. Press any of the arrow buttons to open the **Main Menu**.
2. Select **System**, press the right arrow button.
3. Select **Factory settings** and press the **REVERT** key to confirm your selection. Press the **YES** key to reset all settings to the factory defaults.

In case you change your mind and want to exit the menu without making any changes, press the **NO** key.

See section General Settings on page 103 for a description of the other menu options.

Configuring Display Alarms

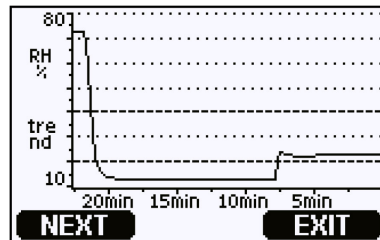
The Display Alarm feature provides two independently configurable alarms for transmitters with the display/keypad option. Each alarm tracks a selected quantity, with freely configurable limit values. Each alarm also has a configurable hysteresis value to prevent unnecessary triggering when the measurement fluctuates around an alarm limit. The alarms can be configured for any quantity supported by the transmitter. The configuration of the Display Alarms can only be done using the display/keypad option.

You can have the alarm activate inside or outside the specified range by setting the limits correctly:

- To have the alarm activate when the measured quantity is outside the specified range, set the **Act. above** limit higher than the **Act. below** limit.

- To have the alarm activate when the measured quantity is inside the range, set the **Act. above** limit lower than the **Act. below** limit.

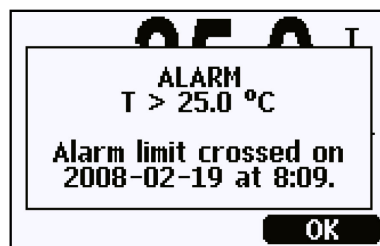
The alarm limits are shown on the graph display as thicker dotted lines. When a display alarm is activated, the automatic scaling of the graph display always keeps the limits in view.



1102-012

Figure 45 Alarm Limits Shown on Graph Screen

When an alarm is activated, an alarm note is displayed on the display, and the lights of the display will blink. If the data logger module is installed, the alarm note includes the time and date of the alarm.



0802-041

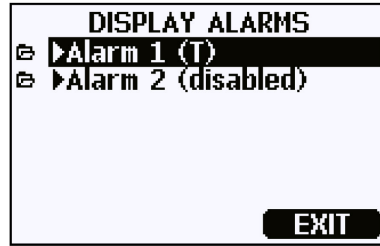
Figure 46 Display Alarm Active

Multiple alarms can be active at the same time; the alarm that was triggered first will be shown on the display. The next active alarm is revealed when the currently shown alarm is acknowledged by pressing the **OK** button.

Activated alarms are only shown on the screen; there are no alarm messages output to the serial line. After an alarm has been acknowledged, you must refer to the data graphs to see when the measured quantities have exceeded the limits. You may use the optional relay outputs as alarm outputs by configuring them separately; see section Setting Relay Outputs on page 141.

Using Display/Keypad

1. Enter the **Main Menu** by pressing an arrow button on the keypad.
2. Use the arrow keys to select **Display**, followed by **Alarms**, to open the **Display Alarms** menu. The **Display Alarms** menu shows the currently enabled and disabled alarms.



0802-069

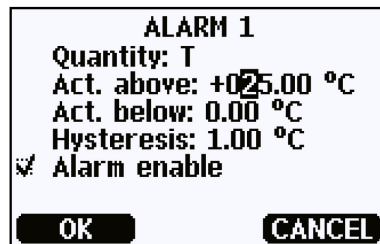
Figure 47 Display Alarms

- Use the arrow keys to select an alarm to configure. The alarm editing page opens.

NOTE

Changes you do on the alarm editing page will take effect immediately, and may cause an alarm to appear on the screen.

- To select a quantity for the alarm, press the **CHANGE** button and select the quantity from the list.
- To modify or remove the alarm limit values, move the selection over the **Act. above** or **Act. below** field and press the **SET** button. You will be prompted to **Modify** or **Remove** the value.



0802-070

Figure 48 Modifying an Alarm Limit

When modifying the value, use the arrow up and down buttons to change the value under the cursor. Left and right arrow buttons move the cursor. Select the **OK** button to accept the modified value, or **Cancel** to undo the modification.

- Set a suitable **Hysteresis** value to prevent the alarm from being triggered unnecessarily by small measurement changes that pass the alarm limit repeatedly.
- Set or clear the **Alarm enable** checkbox to enable or disable the alarm.
- Press the **EXIT** button to leave the alarm configuration screen and return to the basic view.

Using Serial Line

Use the serial line command **ALSEL** to view or set the display alarms.

ALSEL [quantity1 quantity2]<cr>

where

quantity1 = Quantity for display alarm 1. You can set any quantity available on your transmitter; see tables on page 22. In addition to quantities, you can also select the following:

FAULT – Alarm for device errors

ONLINE – Alarm for sensor operations that freeze the measurement output (for example, chemical purge).

quantity2 = Quantity for display alarm 2. Options are the same as for quantity1.

Example (view current display alarm settings):

```
>alsel ?
Al1 P    above: - ?
Al1 P    below: 1013.00 hPa ?
Al1 P    hyst : 10.00 hPa ?
Al1 P    enabl: ON ?
Al2 T    above: 40.00 'C ?
Al2 T    below: - ?
Al2 T    hyst : 1.00 'C ?
Al2 T    enabl: OFF ?
Warning! One or more alarms disabled.
>
```

Table 16 ALSEL Parameters

Name	Description
above	If specified, the alarm goes off when the quantity value rises above the exact value of this setpoint. However, if above < below, the alarm goes off at (above + hyst) and (below – hyst) instead. Cannot be set for fault and online alarms.
below	If specified, the alarm goes off when the quantity value decreases below the exact value of this setpoint. However, if above < below, the alarm goes off at (above + hyst) and (below – hyst) instead. Cannot be set for fault and online alarms.
hyst	Distance from setpoint amount of extra retractment needed in order to regenerate alarm on the next crossing of the setpoint. Cannot be set for fault and online alarms.
enabl	Enable (ON) or disable (OFF) the display alarm.

Example (set Tdf and T as display alarm quantities and configure the alarms as prompted):

```
>alsel tdf t
A11 Tdf  above: 80.00 'C ? 10
A11 Tdf  below: - ?
A11 Tdf  hyst : 1.00 'C ?
A11 Tdf  enabl: ON ?
A12 T    above: 40.00 'C ? -
A12 T    below: - ? 0
A12 T    hyst : 1.00 'C ?
A12 T    enabl: OFF ? on
>
```

MI70 Link Program for Data Handling

MI70 Link is a support program that enables you to handle the measurement data of your Vaisala transmitter using a Windows PC. Using the MI70 Link you can, for example:

- Monitor the transmitter's measurement readings directly using the real-time window function.
- Transfer recorded data from the main transmitter memory in numeric or graphical format, for further use in a spreadsheet program (such as Microsoft Excel) or virtually any other application. Note that the maximum amount of data points that can be downloaded in one transfer is 65000.

To use the MI70 Link program, you must connect your Windows PC to the service port of the transmitter with a serial or USB cable. The MI70 Link program, and the optional connection cables, are available from Vaisala. See section Spare Parts and Accessories on page 193.

Follow the steps below to connect your transmitter to the MI70 Link program using the serial interface:

1. Connect your PC to the service port of the transmitter. Refer to section Service Port Connection on page 84.
2. Check that the PTU300 is powered.
3. Start the MI70 Link program.
4. Start using the program. There is usually no need to select a COM port manually, the MI70 Link software can detect it automatically.

NOTE

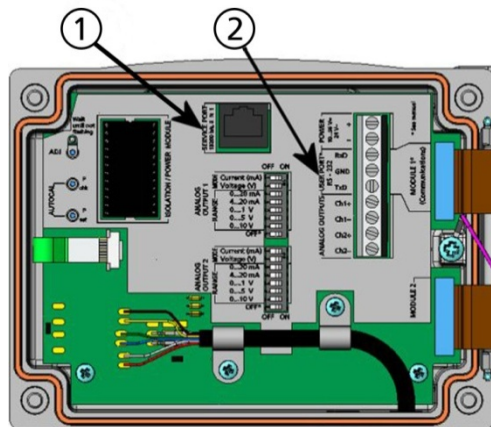
For instructions on using the MI70 Link, see the program's online help.

Serial Line Communication

Connect the serial interface by using either the user port or the service port.

For permanent interfacing to host system, use the user port. You can change the serial settings and operate in RUN, STOP, SEND, POLL, and MODBUS modes.

For temporary connections use the service port. Service port is always available with fixed serial settings.



0605-039

Figure 49 Service Port Connector and User Port Terminal on Motherboard

The following numbers refer to Figure 49 above:

- 1 = Service port connector
- 2 = User port terminals

User Port Connection

Use suitable serial cable between the user port RxD, GND and TxD screw terminals and the PC serial port, see Figure 50 on page 84.

Table 17 Default Serial Communication Settings for the User Port

Parameter	Value
Bits per second	4800
Parity	Even
Data bits	7
Stop bits	1
Flow control	None

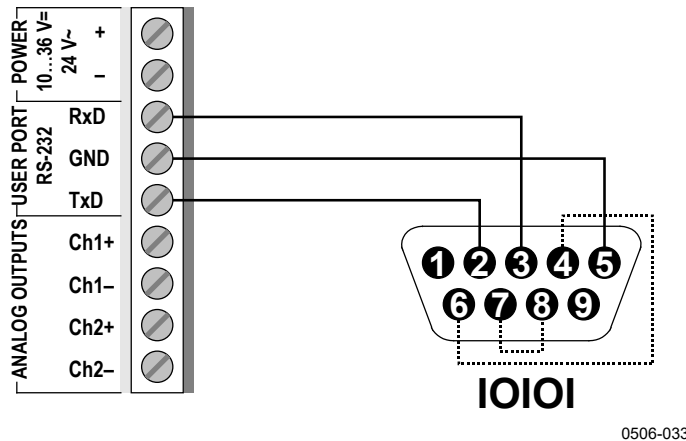


Figure 50 Connection Example between PC Serial Port and User Port

Connections to pins 4,6,7 and 8 on PC serial port are required only if you are using software requiring hardware handshaking.

User Port Operating Modes

When the transmitter is powered up, it will behave according to its configured operating mode:

- In STOP mode, the transmitter outputs the software version and the command prompt (if echo is on).
- In RUN mode a measurement output starts immediately.
- In SEND mode one measurement message is printed and command prompt is displayed (if echo is on).
- In POLL or MODBUS mode, the transmitter does not output anything after power-up.

For a description of the modes, see section SMODE on page 125.

NOTE RS-232 User Port cannot be used when a communication module (LAN, WLAN, or RS-422/485 interface) has been installed.

Service Port Connection

Connection Cables

To connect to the service port, you need a suitable cable with an RJ45 connector. Depending on the connections of your PC, you can either use the Serial Connection Cable (optional accessory 19446ZZ) or the USB-RJ45 Serial Connection Cable (optional accessory 219685). The USB cable enables you to connect the transmitter to a PC via a standard type A USB port. Note that the USB cable does not enable high speed

data transfer, since the bit rate is limited by the serial interface of the service port.

Installing the Driver for the USB Cable

Before taking the USB cable into use, you must install the provided USB driver on your PC. When installing the driver, you must acknowledge any security prompts that may appear.

1. Check that the USB cable is not connected. Disconnect the cable if you have already connected it.
2. Insert the media that came with the cable, or download the latest driver from www.vaisala.com.
3. Execute the USB driver installation program (setup.exe), and accept the installation defaults.
4. After the driver has been installed, connect the USB service cable to a USB port on your PC. Windows will detect the new device, and use the driver automatically.
5. The installation has reserved a COM port for the cable. Verify the port number, and the status of the cable, using the **Vaisala USB Instrument Finder** program that has been installed in the Windows Start menu.

Windows will recognize each individual cable as a different device, and reserve a new COM port. Remember to use the correct port in the settings of your terminal program.

Using the Service Port

1. Open the screws on the transmitter cover, and open the cover.
2. Connect the desired cable (serial interface cable or USB cable) to your PC and the service port connector on the transmitter. For the location of the service port, refer to Figure 49 on page 83.
3. Open a terminal program and set the communication settings as follows:

Table 18 **Communication Settings for the Service Port**

Parameter	Value
Bauds	19200
Parity	None
Data bits	8
Stop bits	1
Flow control	None

For a detailed explanation of using a terminal program, see section Terminal Program Settings on page 93.

4. Power-up the PTU300.

LAN Communication

To enable LAN communication, a LAN or WLAN interface must be physically connected to the network, and the networking settings must be suitable for your network. For a description of interfaces, see sections LAN Interface on page 62 and WLAN Interface on page 63.

The LAN and WLAN interfaces both operate by accessing the serial interface (User Port) of the transmitter. All commands and protocols that are available using the serial interface are available through the LAN and WLAN interfaces; refer to section List of Serial Commands on page 96. For instructions on how to connect using a terminal program, see section Terminal Program Settings on page 93.

IP Configuration

The IP settings of the LAN and WLAN interfaces are described in Table 19. The current settings can be viewed on the serial line or using the device information display; see section Information Display on page 74.

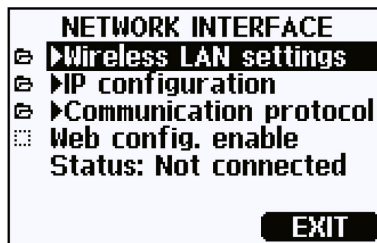
Table 19 IP Settings for the LAN and WLAN Interfaces

Parameter	Description
Automatic configuration (DHCP)	If enabled, the transmitter will retrieve its network settings (including the IP Address) from a server in the network. If disabled, static network settings are used instead.
Web configuration	If enabled, the settings of the interface can be changed using a web browser. The configuration page can be accessed by browsing to the IP address of the transmitter.
IP Address	The four part network ID of the transmitter. Must be set manually if automatic configuration is not used. Example value: 192.168.0.222
Netmask	Used together with the IP address to determine which network the transmitter is a part of. Must be set manually if automatic configuration is not used. A common netmask is 255.255.255.0
Gateway	IP address of the server that enables the transmitter to access other networks. Must be set manually if automatic configuration is not used. Example value: 192.168.0.1
MAC	The MAC address is the unique hardware address of the LAN or WLAN interface. Cannot be changed.

Using Display/Keypad

You can configure the IP settings of the LAN and WLAN interfaces using the display/keypad as follows:

1. Press any of the arrow buttons to open the **Main Menu**.
2. Press the ► arrow button to select **Interfaces**.
3. Press the ► arrow button to select **Network settings**. There will be a delay as the transmitter refreshes the network information.
4. You are now in the **Network Interface** menu. Selecting the **IP configuration** option opens the IP configuration menu.

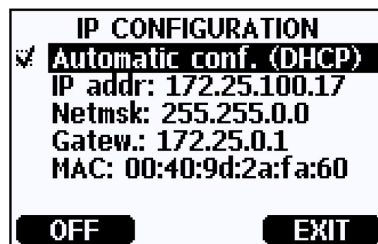


1102-015

Figure 51 Network Interface Menu

The **Network Interface** menu also allows you to configure the **Communication Protocol**, enable or disable the **Web configuration** option, or **Disconnect all** users that are currently accessing the LAN or WLAN interface.

5. In the IP configuration menu, select **Automatic configuration (DHCP)**, or enter the **IP address**, **Netmask** and **Gateway** manually. If automatic configuration is enabled, manual configuration cannot be done.



0709-004

Figure 52 IP Configuration Menu

To enter a value manually, use the ▲▼ arrow buttons to select the parameter to change, and press **CHANGE**. A cursor will appear in the first digit. Move the cursor using the ◀▶ arrow buttons, and change the value under the cursor using the ▲▼ arrow buttons. Confirm the selection by pressing **OK**.

6. After configuring the desired parameters, press **EXIT** to apply the changes and return to the basic display.

Using Serial Line

Use the serial line command **NET** to view or set the network settings for the LAN and WLAN interfaces. You can also refresh the network information or disconnect all active connections.

```
NET [REFRESH] [DISCONNECT] [DHCP WEB] [DHCP IP SUBNET GATEWAY WEB]<cr>
```

where

REFRESH	=	Updates the network information and displays it.
DISCONNECT	=	Disconnects all current sessions.
DHCP	=	ON or OFF. Enables or disables the automatic IP configuration.
WEB	=	ON or OFF. Enables or disables the Web Configuration page.
IP	=	The four part network ID of the transmitter. Must be set manually if automatic configuration is not used.
SUBNET	=	Used together with the IP address to determine which network the transmitter is a part of. Must be set manually if automatic configuration is not used.
GATEWAY	=	IP address of the server that enables the transmitter to access other networks. Must be set manually if automatic configuration is not used.

Examples:

```
>net refresh  
OK  
DHCP           : OFF  
IP address     : 192.168.0.101  
Subnet mask    : 255.255.255.0  
Default gateway: 192.168.0.1  
Web config.    : OFF  
MAC address    : 00:40:9d:2c:d2:05  
Status         : Not connected  
>
```

```
>net on off  
DHCP           : ON  
IP address     : 192.168.0.104  
Subnet mask    : 255.255.255.0  
Default gateway: 192.168.0.1  
Web config.    : OFF  
MAC address    : 00:40:9d:2c:d2:05  
Status         : Connected  
OK  
>
```

```
>net off 192.168.0.101 255.255.255.0 192.168.0.1 off
DHCP          : OFF
IP address    : 192.168.0.101
Subnet mask   : 255.255.255.0
Default gateway: 192.168.0.1
Web config.   : OFF
MAC address   : 00:40:9d:2c:d2:05
Status        : Not connected
OK
>
```

Wireless LAN Configuration

The settings of the WLAN interface are described in Table 20. The current settings can be viewed on the serial line or using the device information display; see section Information Display on page 74.

- CCMP encryption is called **AES** in some networking products.
- The WLAN interface supports both WPA and WPA2 (also known as 802.11i) security when either WPA-PSK mode is selected.
- If your WLAN network is using some other security method than listed below, you must set up a temporary WLAN network with any of these settings and then use the web configuration to set WLAN security settings for the actual network. See section Web Configuration for LAN and WLAN on page 92.

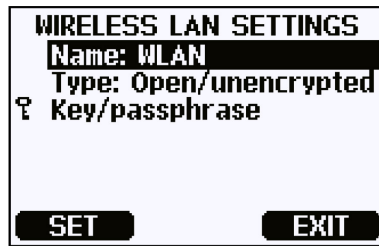
Table 20 **Wireless LAN Settings**

Parameter	Description
SSID	The service set identifier (that is, network name) of the wireless network to connect to. 1 ... 32 characters.
Security type	The security type of the wireless network. The options are: OPEN OPEN/WEP WPA-PSK/TKIP WPA-PSK/CCMP All other choices except OPEN require a security key; see below.
Security key	The encryption key or passphrase that is used with an encrypted network.

Using Display/Keypad

You can configure the Wireless LAN settings using the display/keypad as follows:

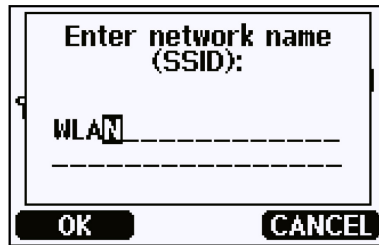
1. Press any of the arrow buttons to open the **Main Menu**.
2. Press the ► arrow button to select **Interfaces**.
3. Press the ► arrow button to select **Network settings**. There will be a delay as the transmitter refreshes the network information.
4. Press the ► arrow button to select **Wireless LAN settings**.



0802-111

Figure 53 Wireless LAN Settings

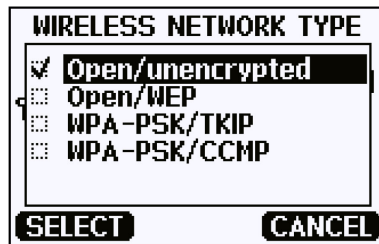
5. The **Name** entry on the page shows the SSID of the currently selected wireless network. To change the SSID, press the **SET** button. Use the ▲▼ arrow buttons to change the character under the cursor, and ◀▶ arrow buttons to move the cursor. Press the **OK** button when done.



0802-110

Figure 54 Entering Network SSID

6. To change the currently selected Network type, select the **Type** entry and press the **CHANGE** button. Select the new type from the list and press the **SELECT** button.



0802-112

Figure 55 Selecting the Wireless Network Type

7. If you have selected an encrypted network type (WEP or WPA), you must enter the security key to be used. Select the **Key/passphrase** entry and press the **SET** button. Enter the key in the same way as the SSID, and press the **OK** button. With the WEP encryption you must enter the encryption key in hexadecimal (10 hexadecimals for 64-bit encryption or 26 hexadecimals for 128-bit encryption). A WPA key must be 8 ... 63 ASCII characters.
8. After setting the wireless network parameters, press the **EXIT** button in the **Wireless LAN Settings** menu. You will be asked to confirm the new settings. Note that when new settings are saved, all currently active WLAN connections are disconnected.

Using Serial Line

Use the serial line command **WLAN** to view or set the wireless network settings. If you set an encrypted network type, you will be asked to enter the security key. With the WEP encryption you must enter the encryption key in hexadecimal (10 hexadecimals for 64-bit encryption or 26 hexadecimals for 128-bit encryption) or with plain ASCII characters (5 characters for 64-bit encryption or 13 characters for 128-bit encryption). A WPA key must be 8 ... 63 ASCII characters.

WLAN [*SSID TYPE*]
<cr>

where

SSID = Network name in 1 ... 32 characters
 TYPE = Security type of the wireless network. The options are:

OPEN
 OPEN/WEP
 WPA-PSK/TKIP
 WPA-PSK/CCMP

Examples:

```
>wlan ?
Network SSID   : WLAN-AP
Type           : OPEN
>

>wlan accesspoint wpa-psk/kip
Network SSID   : accesspoint
Type           : WPA-PSK/TKIP
WPA-PSK phrase ? thequickbrownfox
Save changes (Y/N) ? y
OK
>
```

Communication Protocol

When a Telnet connection is established via the LAN or WLAN interface, the session has the same communication mode, run interval, poll address and echo settings as the serial port (user port) session would have.

These settings can be changed using the display/keypad, using the serial line (user port or service port), or on-the-fly during the Telnet session.

The display menu path to the Communication Protocol settings is:
Main Menu ► Interfaces ► Network Interface ► Communication Protocol.

The commands for changing the settings are **SMODE**, **INTV**, **ADDR**, and **ECHO**.

Web Configuration for LAN and WLAN

The LAN and WLAN interfaces both have a web configuration page that is accessible using a browser. If you have not disabled the page from the network settings, you can access it with a web browser at the IP address of the interface. You can check the currently assigned IP address of the interface from the device information screens (see Device Information on page 118), or from the serial line by issuing the **net ?** command.

When accessing the web configuration page, you must first log in.

Username: **user**
Password: **vaisala**

The web configuration page provides similar network configuration options as the serial line and the display/keypad. It also has additional options for advanced users. For example, there are more options for securing the wireless network.

If these additional options are used, they will appear as custom configurations when viewed from the serial line or the display/keypad.

1102-017

Figure 56 Web Configuration Interface for WLAN

Terminal Program Settings

The instructions below describe how to connect to the PTU300 using the PuTTY terminal application for Windows. Perform the necessary cabling and configuration of the transmitter before following the instructions.

PuTTY is available for download at www.vaisala.com.

NOTE

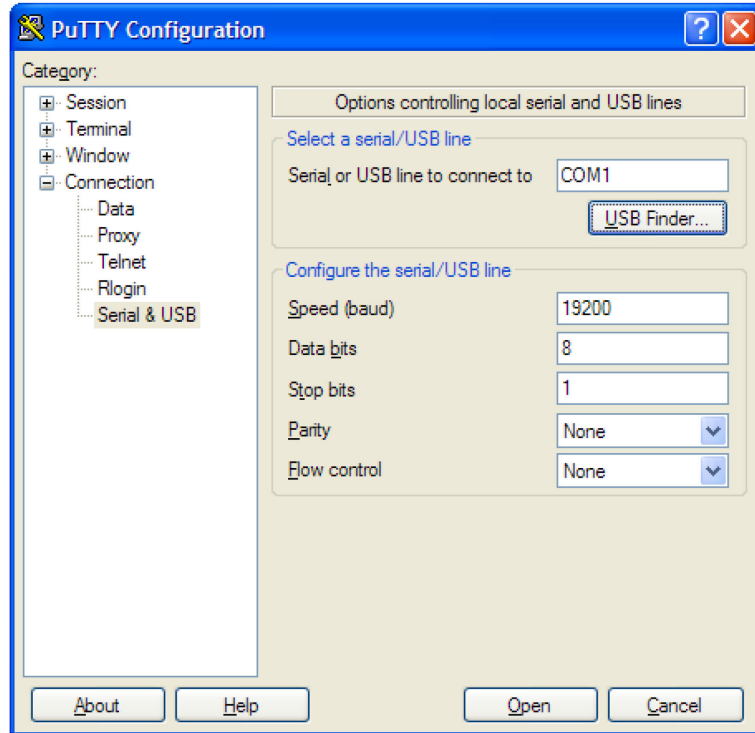
PuTTY cannot be used to access the transmitter through the User Port if the transmitter is configured to use the Modbus protocol. However, you can always use PuTTY to access the transmitter through the Service Port.

Opening a Serial/USB connection

1. Power up the PTU300 and start the PuTTY application.
2. Select the Serial & USB settings category, and check that the correct COM port is selected in the **Serial or USB line to connect to** field. Change the port if necessary.

If you are using a Vaisala USB cable, you can check the port that it uses by clicking the **USB Finder...** button. This opens the *Vaisala USB Instrument Finder* program that has been installed along with the USB drivers.

3. Check that the other serial/USB line settings are correct for your connection, and change if necessary. The default settings (shown in Figure 57 on page 94) are used by the Service Port of the PTU300.



0810-070

Figure 57 Opening a Serial Connection

4. Click the **Open** button to open the connection window and start using the serial line.

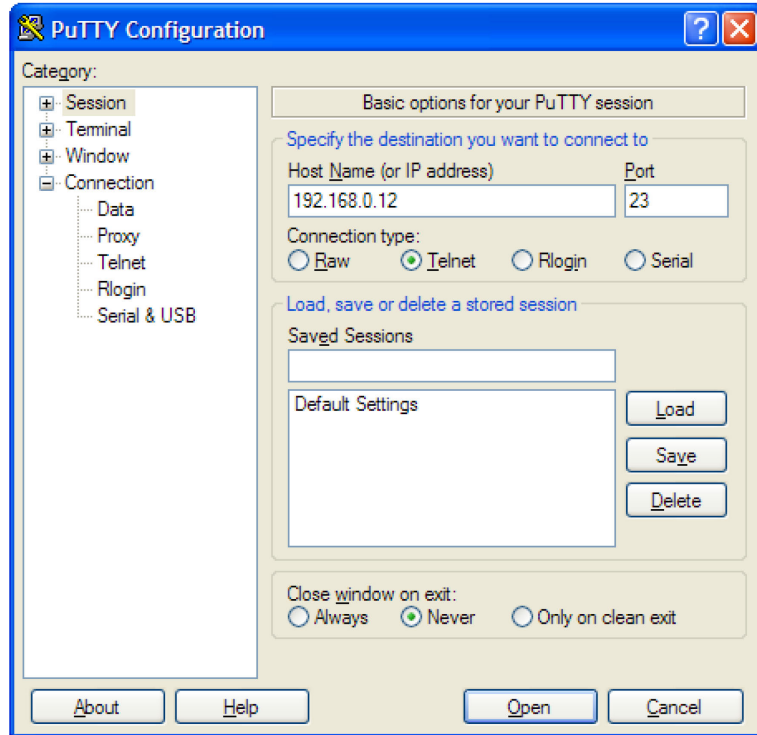
If PuTTY is unable to open the serial port you selected, it will show you an error message instead. If this happens, restart PuTTY and check the settings.

Opening a Telnet Session (LAN/WLAN)

NOTE

The instructions below assume that the LAN/WLAN interface on the transmitter is correctly configured and the network connection is already done.

1. Power up the instrument and start the PuTTY application. If your transmitter acquires a network address using DHCP, wait for a minute for this to complete, then verify the address from the transmitter.
2. In the Session window, select the **Telnet** connection type.
3. Enter the IP address of your transmitter in the **Host Name (or IP address)** field. Use the default Telnet port **23**.



0810-071

Figure 58 Opening a Telnet Connection

4. Click the **Open** button to open the connection window and start using the Telnet session.

If PuTTY is unable to connect the IP address you entered, it will show you an error message instead. If this happens, check the IP address and the connections, restart PuTTY, and try again.

List of Serial Commands

All commands can be issued either in uppercase or lowercase. In the command examples, the keyboard input by the user is in **bold** type.

The notation <cr> refers to pressing the carriage return (**Enter**) key on your computer keyboard. Enter a <cr> to clear the command buffer before starting to enter commands.

In the tables below, the **bold** text in the brackets is the default setting.

Table 21 Measurement Commands

Command	Description
R	Start the continuous outputting
S	Stop the continuous outputting
INTV [0 ... 255 S/MIN/H]	Set the continuous output interval (for RUN mode)
SEND [0 ... 255]	Output the reading once
DSEND	Output the reading once from all connected transmitters (in STOP or POLL mode)
SCOM	Define a user-specific SEND command for one message output
SMODE [STOP /SEND/RUN/POLL/MODBUS]	Set the serial interface mode
SDELAY	View or set user port (RS-232 or RS-485) answer minimum delay
SERI [baud p d s]	User Port settings (Default: 4800 E 7 1) baud: 300 ... 115200
ADDR [0 ... 255]	Set the transmitter address (for POLL and MODBUS modes)
NET	View or set networking parameters for LAN and WLAN interfaces
WLAN	View or set wireless network parameters for WLAN interface
OPEN [0 ... 255]	Open a temporary connection to a POLL mode device
CLOSE	Close the temporary connection (back to POLL mode)

Table 22 Formatting Commands

Command	Description
FORM	Set the output format of SEND and R commands
TIME	Set the time
DATE	Set the date
FTIME [ON/OFF]	Add time to SEND and R outputs
FDATE [ON/OFF]	Add date to SEND and R outputs
FST [ON/OFF]	Add the state of probe heating and chemical purge in connection with SEND and R commands
SCOM	Assign a new command name that works like the SEND command
UNIT	Select the metric or non-metric output units

Table 23 Data Recording Commands

Command	Description
DIR	Display recorded files
PLAY [0 ... 28] [START END]	Output recorded data file. Start and end times can only be specified if the data logger module is installed. The times must be given in the following format: yyyy-mm-dd hh:mm:ss
DSEL	Select data recording and display quantities (1 ... 4).
DELETE	Delete all data files, including the memory of the optional data logger module
UNDELETE	Recover the deleted files that have not been overwritten

Table 24 Chemical Purge Commands

Command	Description
PUR	Set the automatic chemical purge
PURGE	Start the manual chemical purge
RGLIMIT [ON/OFF]	Prevent chemical purge if sensor temperature is below 0 °C

Table 25 Calibration and Adjustment Commands

Command	Description
CRH	Relative humidity calibration
CT	Temperature calibration
CTA	Additional temperature probe calibration
FCRH	Relative humidity calibration after sensor change
CTEXT	Give the text to calibration information field
CDATE	Set the calibration date
ACAL	Analog output calibration
LC	Output the linear corrections in use
LCI [ON/OFF]	Activate or deactivate the linear offset or offset/gain pressure corrections
LCI	Enter new linear offset and offset/gain pressure corrections to the transmitter
MPC	Output the multipoint corrections in use for pressure measurement
MPCI [ON/OFF]	Activate or deactivate the multipoint corrections for pressure measurement
MPCI	Enter new multipoint corrections for pressure measurement
MPC RH [ON/OFF/LIST/INIT/CLEAR]	Multipoint correction for relative humidity
OFFSET	Pressure one-point offset correction

Table 26 Setting and Testing the Analog Outputs

Command	Description
AMODE	View the analog output modes
ASEL	Select the parameters for the analog outputs
ITEST	Test the analog outputs

Command	Description
AERR	Change the analog error output values
AOVER [ON/OFF]	Extend analog output range

Table 27 Setting and Testing the Relays

Command	Description
RSEL	Set and view the relays
RTEST	Test the relays

Table 28 Pressure Commands

Command	Description
PRES [hPa]	Set the value for pressure compensations
XPRES [hPa]	Set the value for pressure compensations, temporarily
PFIX	Select pressure compensation using either a fixed value or using measured value
AVRG	Set pressure average period
HHCP	Set height offset for HCP calculation
HQNH	Set height offset for QNH calculation
HQFE	Set height offset for QFE calculation
PSTAB	Set the pressure stability indicator
PDMAX	Set the pressure difference limit

Table 29 GPS Commands

Command	Description
*0100P9	Data output query
*0200P9	Data output query
*9900P9	Data output query
*9900SN	Serial number query

Table 30 Other Commands

Command	Description
?	Output information about the device
??	Output information about the device in POLL mode
ALSEL	Set display alarms
CON	Set display contrast
ECHO [ON/OFF]	Turn the serial interface echo ON/OFF
ERRS	List present transmitter errors
FILT	Set the result filtering
FIND	All devices in POLL mode send their addresses
HELP	List the currently available commands
LIGHT	Set the display backlight mode
LOCK	Lock the menu or disable the keypad
MODBUS	View Modbus diagnostic counters
MODS	View information about connected modules
RHLIMIT [ON/OFF]	Limit highest value of RH output to 100%
VERS	Display the software version information
XHEAT	Sensor heating

Getting Measurement Message from Serial Line

Starting Continuous Outputting

R

Enter the **R** command to start the continuous output of measurements. The default output format depends on the quantities your transmitter supports. You can change the output message format and interval with the **FORM** and **INTV** commands. See sections **FORM** on page 103 and **INTV** on page 126.

Example:

```
>r
P= 1021.6 hPa   T= 23.2 'C RH=  5.8 %RH
>
```

If a value is too long to fit to the allocated space in the output, or if there is an error in outputting the quantity, the value is displayed with stars '*':

Example:

```
RH=***.* %RH T= 31.0 'C
```

Stopping Continuous Outputting

S

Use the **S** command to end the **RUN** mode. After this command all other commands can be used. You can also press the **Esc** button or reset the transmitter to stop the outputting.

See command **SMODE** to change the default (power-up) operation mode.

Outputting Reading Once

SEND

Use the **SEND** command to output the reading once in **STOP** mode.

Example:

```
>send
P= 1021.6 hPa   T= 23.3 'C RH=  5.7 %RH
>
```

Assign an Alias for the SEND Command

Use the **SCOM** command to assign a new command that works like the **SEND** command. The standard **SEND** command of the transmitter will always function normally whatever the **SCOM** definition may be. Command names are case-insensitive.

SCOM<cr>

Example (assigning the command **P** as an alias for the **SEND** command):

```
>scom
Send command   :   ? p
>p
P= 1021.4 hPa   T= 23.2 'C RH= 5.7 %RH
>
```

You can remove the **SCOM** definition by pressing **Esc** when entering the command name:

```
>scom
Send command   : p ? <esc>
>
```

Outputting Reading Once From All Transmitters

Use the **DSEND** command to output the reading once from all connected transmitters that are in **STOP** or **POLL** modes. In order to avoid data collisions, the transmitters will send their response after a suitable delay. The response includes the transmitter's address, followed by their measurement message.

NOTE

The total execution time of the **DSEND** command depends on the bit rate of the serial port connection. At slow speeds, it will take a considerable amount of time for devices with large address number to respond. The delay will be the same even if there are no other devices at all.

DSEND<cr>

Example (transmitters with addresses 3 and 25 responding):

```
>dsend
 3 P= 1021.4 hPa   T= 23.2 'C RH= 5.7 %RH
25 P= 1021.3 hPa   T= 21.2 'C RH= 8.2 %RH
>
```

Communicating with a Transmitter in POLL Mode

OPEN

When all transmitters on the RS-485 bus are in POLL mode the **OPEN** command sets one transmitter temporarily to STOP mode so that other commands can be entered.

OPEN [*aa*]
<cr>

where

aa = Address of the transmitter (0 ... 255)

CLOSE

The **CLOSE** command switches the transmitter back to the POLL mode.

Example:

>**open 2** (opens the line to transmitter 2, other transmitters stay in POLL mode)

>**crh** (for example, calibration performed)

...

>**close** (line closed)

Formatting Serial Line Message

NOTE

Instead of using the **FTIME**, **FDATE** and **FST** commands described in this section, you can use the **FORM** command with modifiers **TIME**, **DATE**, and **STAT**. See section **FORM** on page 103.

FTIME and FDATE

FTIME and **FDATE** commands will enable/disable output of time and date to the serial line. To add time to **R** and **SEND** outputs enter:

FTIME [x]<cr>

To add date to **R** and **SEND** outputs enter:

FDATE [x]<cr>

where

x = ON or OFF

Example:

```
>send
RH= 98.4 %RH T= 31.0 'C
>ftime on
Form. time      : ON
>send
03:47:59 RH= 98.4 %RH T= 31.0 'C
>fdate on
Form. date      : ON
>send
2004-07-05 03:48:03 RH= 98.4 %RH T= 31.0 'C
>
```


General Settings

Changing Quantities and Units

Use serial commands or the optional display/keypad to change quantities and units. For more information on available quantities and units, see Table 4 on page 22. For more information on optional quantities, see Table 5 on page 22.

NOTE

Only the quantities selected when ordering the device can be selected as display output quantities.

Using Display/Keypad

To select the display output quantities.

1. Press any of the arrow buttons to open the **Main Menu**.
2. Select **Display**, press the right arrow button.
3. Select **Quantities**, press the right arrow button.
4. Select quantities by pressing the up/down arrow buttons. Confirm the selection by pressing the **SELECT** key. You can select 1 ... 4 display quantities at a time.
5. Press the **EXIT** key to return to the basic display.

To select the display unit:

1. Press any of the arrow buttons to open the **Main Menu**.
2. Select **Display**, press the right arrow button.
3. Select **Units** and press the right arrow button.
4. Select the display unit by pressing the up/down arrow buttons. Confirm the selection by pressing the **CHANGE** key. The unit changes from metric to non-metric or the other way round.
5. Press the **EXIT** key to return to the basic display.

NOTE

Changing the display quantities/units (by using the display/keypad) has no effect on the serial output data.

Using Serial Line

FORM

Use the serial line command **FORM** to change the format or select a certain quantities for the output commands **SEND** and **R**.

FORM [x]<cr>

where

x = Formatter string

The formatter string consists of quantities and modifiers. If no formatter string is entered, the command will display the currently active formatter string. Note that the hash symbol "#" is shown as a backslash "\" when viewing the current formatter string.

When entering the command, use the abbreviations of the quantities. For more information on quantities, see Table 4 on page 22, Table 5 on page 22, and Table 6 on page 22.

The modifiers are presented in Table 31 on page 104.

Table 31 FORM Command Modifiers

Modifier	Description
x.y	Length modifier (number of digits and decimal places)
#t	Tabulator
#r	Carriage-return
#n	Line feed
""	String constant
#xxx	Special character, code "xxx" (decimal), for example #027 for ESC
U5	Unit field and length (length optional)
ADDR	Transmitter address [00...255]
ERR	Error flags for P, T, Ta, RH [0000 ... 1111], 0 = no error
STAT	Transmitter status in 7 character field, for example: N 0 no heating h 115 probe heating active, power 115/255 H 159.0 purge heating active, temperature 159°C S 115.0 purge cooling active, temperature 115°C X 95.0 sensor heating active, temperature 95°C
SN	Transmitter serial number
TIME	Time [hh:mm:ss]
DATE	Date [yyyy-mm-dd]
OK	Pressure stability indicator, two characters [OK or " "]
CS2	Modulus-256 checksum of message sent so far, ASCII encoded hexadecimal notation
CS4	Modulus-65536 checksum of message sent so far, ASCII encoded hexadecimal notation
CSX	NMEA xor-checksum of message sent so far, ASCII encoded hexadecimal notation
A3H	Pressure tendency [* or 0...8]

Command **FORM /** will return the default output format. The default output format depends on the device configuration.

```
>form /
OK
>send
P= 1013.2 hPa   T= 31.1 'C RH= 38.3 %RH
>
```

To output reading including pressure, temperature and relative humidity:

```
>form 6.1 "P=" P " " U6 3.1 "T=" T " " U3 3.1 "RH=" RH " "
U4 \r \n
OK
>send
P= 1033.7 hPa   T= 22.2 'C RH= 38.3 %RH
```

The default output format includes the average value of the measured pressure (quantity P). If your PTU300 is equipped with two pressure transducers, you can add the individual pressure readings from the transducers to the output format (quantities P1 and P2):

```
>form 6.1 "P1=" P1 " " U6 6.1 "P2=" P2 " " U6 6.1 "P=" P "
" U6 3.1 "T=" T " " U3 3.1 "RH=" RH " " U4 \r \n
OK
>send
P1= 1008.9 hPa P2= 1009.1 hPa P= 1009.0 hPa T= 23.9 'C RH=
34.5 %RH
```

Other examples:

```
>form "RH=" 4.2 rh U5 #t "T=" t U3 #r #n
OK
>send
>RH= 14.98%RH   T= 74.68'F

>form "Tfrost=" tdf U3 #t "Temp=" t U3 #r#n
OK
>send
>Tfrost= 36.0'C           Temp= 31.0'C
```

UNIT

Use this command to select metric or non-metric output units. With the command you can also set P units.

UNIT [*x*] [*y*]
<cr>

where

x = M or N or P

y = Pressure Units (see Table 6 on page 22)

where

M = Metric units

N = Non-metric units

P = Pressure

Examples of changing the units:

```
>unit n
Output units : non metric
>unit m
Output units : metric
>unit p torr
P units      : torr
>unit p hpa
P units      : hPa
>
```

NOTE

This command changes both the serial output and display units to either metric or non-metric units. When you want to output both metric and non-metric units simultaneously on the display, select the display units later by using the display/keypad.

Limit RH Output Range

Use the serial line command **RHLIMIT** if you want to strictly limit the allowed value of the relative humidity (RH) quantity to range 0 ... 100%. The limit is implemented on all outputs and the display. Other quantities are not affected, only RH. Note that seeing values above 100 %RH is useful for detecting condensation on the sensor, and possible measurement drift in very high humidities. For this reason, Vaisala recommends leaving this feature at the default setting (off).

RHLIMIT [*ON/OFF*]
<cr>

where

ON = Allowed range of RH output is 0 ... 100 %.

OFF = Allowed range of RH output is -5 ... 110 % (default).

Example (view current setting):

```
>rhlimit ?  
RH limit 0...100: OFF  
>
```

Example (enable RH limit):

```
>rhlimit on  
RH limit 0...100: ON  
>
```

Date and Time

Using Display/Keypad

If the optional Data Logger Module is installed, you can change the time and date using the display/keypad.

1. Press any of the arrow buttons to open the **Main Menu**.
2. Select **System** and press the ► arrow button to confirm your selection.
3. Select **Date and time** and press the ► arrow button.
4. Press the **SET** button to enter the adjustment mode, and use the arrow buttons to select and change the values.
5. You can also change the date and time formats that are shown in the graphs. The selected formats are only used in graphical display, they do not change the formats that are used in the serial communication.
6. Press **EXIT** to return to the basic display.

Using Serial Line

To set time enter the **TIME** command. To set date enter the **DATE** command.

```
TIME<cr>
```

```
DATE<cr>
```

These time and date settings are shown on the timestamps of **PLAY** command. When you want to include time and date in the **R** and **SEND** commands, use the **FTIME** and **FDATE** commands.

Example:

```
>time  
Time           : 13:42:49 ?  
  
>date  
Date           : 2007-05-31 ?
```

NOTE

If the optional Data Logger Module is not installed, time and date available on the serial ports (only) are cleared to 2000-01-01 00:00:00 at reset or at power failure.

NMEA Data Format

The PTU300 transmitter can be used in connection with a GPS receiver. It responds to a GPS input command by outputting a single predefined NMEA format message or the transmitter serial number.

NOTE

The pressure unit has to be set as **bar** when the NMEA data output format is used.

The maximum length of FORM is 128 characters.

NOTE

Check that the serial bus settings of the transmitter and those of the GPS receiver are the same. A baud rate less than 9600 is recommended.

Example:

```
"$PASHS,XDR,P,"1.5_P_",B,"_SN_",C,"_3.2_T_",C,"_SN_",H,"_RH_",P,"_S
N_#r #n
```

where

"\$PASHS,XDR,P,"	Text field \$PASHS,XDR,P, (P transducer type = pressure)
1.5	Number field
P	Pressure
",B,"	Text field (B transmitter unit = Bar)
SN	Transmitter ID (serial number)
",C,"	Text field (C transducer type = temperature)
3.2	Number field
T	Temperature
",C,"	Text field (C temperature unit = deg. Celsius)
SN	Transmitter ID (serial number)
",H,"	Text field (H transducer type = humidity)
RH	Humidity
",P,"	Text field (P humidity = % relative humidity)
SN	Transmitter ID (serial number)
#r #n	CR LF
–	space

Output format:

```
>send
$PASHS,XDR,P,0.99710,B,S1630001,C,22.47,C,S1630001,H,20.84,
P,S1660001
>
```

Example:

```
"$PASHS,XDR,P," 1.5_P_",B,,C,"_3.2_T_",C,,H,"_RH_",P,"_#r_#n_
```

Output format:

```
>send
$PASHS,XDR,P,1.01148,B,,C, 27.11,C,,H, 54.29,P,
>
```

GPS Commands

The PTU300 transmitter responds to following GPS specific application commands.

***0100P9**<cr>

Example:

```
>*0100P9
$PASHS,XDR,P,1.03384,B,A2100012,C,22.28,C,A2100012,H,39.65,
P,A2100012
>
```

***0200P9**<cr>

Example:

```
>*0200P9
$PASHS,XDR,P,1.01496,B,T5030004,C,24.42,C,T5030004,H,41.18,
P,T5030004
>
```

***9900P9**<cr>

Example:

```
>*9900P9
$PASHS,XDR,P,1.01496,B,T5030004,C,24.42,C,T5030004,H,41.18,
P,T5030004
>
```


*9900SN<cr>

Example:

```
>*9900sn  
A2100012  
>
```

Pressure Compensation Settings

The pressure has an effect on humidity calculations and accuracy. Therefore, accurate calculations can be achieved only when the process pressure is taken into consideration.

Note that conversions from mmHg and inHg are defined at 0 °C and for mmH₂O and inH₂O at 4 °C.

NOTE

Pressure compensation is intended to be used in normal air only. When measuring in other gases, please contact Vaisala for further information.

Using Display/Keypad

Use display/keypad to set the pressure compensation. To select the pressure unit using display/keypad see section Changing Quantities and Units on page 103.

1. Press any of the arrow buttons to open the **Main Menu**.
2. Select **Measuring** and press the right arrow button.
3. Select **Pressure compensation** and press the right arrow button.
4. Use the up/down arrow buttons to select either **Fixed: 1013.25hPa** or **Measured P** for pressure compensation.
5. Selecting **Measured P**: Press the **SELECT** key and then exit the menu.
6. Selecting **Fixed: 1013.25hPa**: Press the **SELECT** key, and then **SET**. You can move from a digit to another one by pressing the left/right arrow buttons. To change the unit, press the up/down arrow buttons.
7. Press the **OK** key and then exit the menu.

Using Serial Line

PRES and XPRES

Command **XPRES** must be used if the value is changed frequently (for example, by an automatic system that updates the value). Its value is not retained at reset, and when set to 0, last value set with **PRES** is used instead. Use the serial line and do the following:

PRES [aaaa.a]<cr>

XPRES [aaaa.a]<cr>

where

aaaa.a = Absolute process pressure (hPa)

Example:

```
>pres
Pressure      : 1013.00 hPa ?
>pres 1010
Pressure      : 1010.00 hPa
>
```

Table 32 Conversion Factors for Pressure Units

From	To: hPa
mbar	1
Pa N/m ²	0.01
mmHg torr	1.333224
inHg	33.86388
mmH ₂ O	0.09806650
inH ₂ O	2.490889
atm	1013.25
at	980.665
bar	1000
psia ¹⁾	68.94757

1) psia = psi absolute.

Example:

29.9213 inHg = 29.9213 x 33.86388 = 1013.25 hPa

PFIX

Use the **PFIX** command to select either P inputted or P measured.

- When **PFIX** is On, fixed PRES value is used
- When **PFIX** is Off, measured PRES value is used

PSTAB

Use the **PSTAB** command to define the pressure stability indicator reflecting maximum allowed pressure difference between two successive averaged measurements. The user also has to define the **FORM** command to include the "OK" stability indicator field. The factory setting for the stability indicator level is 0.5 hPa.

Example:

```
>pstab
Stab. indicator: OFF ? on
Max P change   : 0.5 ? 1.0
```

PDMAX [x]<cr>

where

x = Pressure reading

The **PDMAX** [x] command is used to define the maximum pressure difference between the pressure readings from two pressure transducers (P1 and P2). If the defined value is exceeded, the relevant digit in the ERR field will change from 0 to 1.

Crucial conditions for an acceptable measurement are:

Two transducers: P high - P low = Pd max limit/less than Pd max limit

The factory setting for Pdmax is 1.0 hPa.

Example of setting the limit to 0.5 hPa:

```
>pdmax
Max P diff.    : 1.00 ? 0.5
```

Pdmax limit works as follows:

```
>form 4.1 p1 " " p2 " " p " " u3 " " ERR #r#n
OK
```

Example: Maximum pressure difference is within the limit

```
>send
1034.2 1034.4 1034.3 hPa 0000
```

Example: Maximum pressure difference exceeds the limit

```
>send
1034.2 1035.4 ***** hPa 1000
```

Use the **ERRS** command to analyze problems.

Data Filtering for Pressure

Use the serial command **AVRG** to view and set the averaging time during which the individual pressure measurement samples are integrated to get an averaged reading. The averaging time is the total averaging time of the transmitter.

AVRG [x]<cr>

where

X = 1 ... 60 s (default: 1 s)

Note that if the averaging time is defined to be long, the settling time at power-up will be long, too.

A minimum of one-second averaging time is recommended per each pressure transducer. These selections are used as the factory setting averaging times.

Example of setting the averaging time to 60 seconds (WMO averaging time for barometric pressure measurement):

```
>avrg
P1 average      : 1 s ? 60
>
```

Data Filtering for Humidity and Temperature

The data averaging filter setting for humidity and temperature is separate from the pressure filtering setting. You can change it using the display/keypad or on the serial line. There are three levels of filtering available. The lowest measurement noise is achieved with the extended filtering.

Table 33 **Filtering Levels for Humidity Temperature**

Setting	Filtering Level
OFF	No filtering (default setting).
STANDARD	Standard filtering. Approximately 13 s moving average.
EXTENDED	Extended filtering. Approximately 1 min average by default, but configurable on the serial line.

Using Display/Keypad

1. Press any of the arrow buttons to open the **Main Menu**.
2. Select **Measuring** by pressing the ► arrow button.
3. Select **Filtering** and press **CHANGE** to confirm your selection.
4. Select **Off/Standard/Extended** and press **SELECT** to confirm your selection.
5. Press **EXIT** to return to the basic display.

Using Serial Line

Use the serial line command **FILT** to set the RH and T filtering level.

FILT [*level*] [*extfactor*]
<cr>

where

level = Filtering level. The options are:

OFF (no filtering, default setting)

ON (standard filtering, approximately 13 s moving average)

EXT (extended filtering, approximately 1 min average by default but configurable by changing the extfactor)

extfactor = Weighted average factor for extended filtering level.
Range 0 ... 1, default 0.030.

In extended filtering mode, the output is calculated based on the following formula:

$[(\text{new result} * \text{extfactor}) + (\text{old result} * (1.0 - \text{extfactor}))]$

This means that with extfactor value 1 the transmitter will take only the latest measurement into account, but with extfactor value 0.1 a new output is a combination of the previous output (90%) and the latest measurement (10%).

Example (enable standard filtering):

```
>filt on  
Filter           : ON  
>
```

HCP, QFE and QNH Offsets

PTU300 can be set to compensate for HCP (height corrected pressure), QFE and QNH pressures used especially in aviation.

- HCP is a direct height correction to pressure (height difference between the barometer installation location and the level where the pressure is to be calculated, for example tower and ground).
- QFE is used to relay a barometric altimeter reading that can be used to calculate the altitude in relation to the QFE reference point (for example, runway). An altimeter set to QFE reads zero at the reference point level (for example, on the ground at the beginning of the runway).
- QNH is used to relay a barometric altimeter reading that can be used to calculate the elevation above mean sea level. The pressure is reduced to sea level.

To use HCP, QFE and QNH pressure compensations in PTU300 measurements, set the altitude and elevation offsets (in meters) with the `hhcp`, `hqfe` and `hqnh` commands.

For information on the calculation formulas used with HCP, QNH and QFE, see Calculation Formulas on page 207.

HHCP

The **HHCP** command shows or sets (enter new value at prompt or keep current value by pressing `<cr>`) the altitude offset used for height corrected pressure. The valid range of HCP height is -30 ... +30 m.

Example:

```
>hhcp
HCP height : 0.0 m ?
>
```

HQFE

The **HQFE** command displays or sets (enter new value at prompt or keep current value by pressing `<cr>`) the altitude offset used for QFE corrected pressure. The valid range of QFE height is -100 ... +100 m.

Example:

```
>hqfe
QFE height : 0.0 m ?
>
```

HQNH

The **HQNH** command displays or sets (enter new value at prompt or keep current value by pressing <cr>) the elevation offset used for QNH corrected pressure. The valid range of QNH height is -100 ... +9999 m.

Example:

```
>hqnh
QNH height : 0.0 m ?
>
```

Device Information

The device information contains current configuration; status and settings of the device. The information is available through the display/menu, as well. For more information, see Information Display on page 74.

When requesting the device information, the following information will be shown:

- Current sensor operation (for example, chemical purge), if any, in progress
- Present or past unacknowledged errors, if any
- Device identification; product name, version and serial number
- Current date and time (only shown if data logger module installed)
- Adjustment information (the latest date, user made adjustments)
- Measuring settings
- Information on chemical purge settings (when applicable)
- Display Alarm settings
- Serial interface information
- Network settings and status of the LAN and WLAN interfaces
- Analog output information
- Relay output information (when applicable)

Using Serial Line

?

Use the serial line command ? to check the current transmitter configuration. Command ?? is similar but can also be used if the transmitter is in POLL mode.

Example:

```
>?
PTU300 / 3.01
Serial number   : A2150004
Batch number    : A1450004
Adjust. date    : 2006-01-22
Adjust. info    : (not set)
Date            : 2006-02-27
Time           : 14:00:57
Serial mode     : RUN
Baud P D S     : 4800 E 7 1
Output interval: 150 s
Address        : 0
Echo           : OFF
Pressure       : 1013.25 hPa
Filter         : ON
Ch1 output     : 4...20mA
Ch2 output     : 4...20mA
Ch1 P low     : 500.00 hPa
Ch1 P high    : 1100.00 hPa
Ch2 T low     : -40.00 'C
Ch2 T high    : 60.00 'C
Module 1      : RELAY-1
Module 2      : BARO-1
>
```

LIGHT

Use the **LIGHT** command to view or set the backlight mode of the display (optional). Issuing the command without specifying a mode shows the current backlight mode.

LIGHT [*mode*]<cr>

where

mode = Operating mode of the display backlight. The options are:

ON (backlight always on)

OFF (backlight always off)

AUTO (backlight automatically turns on and off when keypad is used)

Example:

```
>light
Backlight      : OFF
>light auto
Backlight      : AUTO
>
```

HELP

Use the **HELP** command to list the commands.

Example:

```
>help
?          ACAL      ADDR      AERR      ALSEL
ASEL      AVRG      CDATE     CLOSE     CON
CRH       CT        CTEXT     DATE      DELETE
DIR       DSEL      DSEND     ECHO      ERRS
FCRH      FILT      FORM      HELP      HPCP
HQFE      HQNH      INTV      ITEST     LIGHT
LOCK      MODBUS   MODS      MPC       MPC1
OFFSET    PDMAX    PFIX      PLAY      PRES
PSTAB     PUR      PURGE     R         RESET
SCOM      SDELAY   SEND      SERI      SMODE
SYSTEM    TEST     TIME      UNDELETE
UNIT      VERS     XHEAT     XPRES
>
```

ERRS

Use the **ERRS** command to display transmitter error messages, see Error States on page 161 and Table 37 on page 162.

Example:

```
>errs
No errors
>
```

Example:

```
>errs
Error: E2 Humidity sensor open circuit.
>
```

MODS

Use the **MODS** command to display information about the optional modules that are connected to the transmitter.

Example:

```
>mods
Module 1      : WLAN-1 (POST: release_82000941_J; FW:
Version 82000977_K1 10/16/2008)
Module 2      : LOGGER-1      (1024 MB; HW: B; SW: 5)
>
```

VERS

Use the **VERS** command to display software version information.

Example:

```
>vers
PTU300 / 5.10
>
```

Resetting Transmitter using Serial Line

RESET

Resets the device. The user port switches to start-up output mode selected with command **S.MODE**.

Locking Menu/Keypad using Serial Line

LOCK

Use the **LOCK** command to prevent the user from entering the menu using the keypad, or to lock the keypad completely. You can optionally set a 4-digit PIN code, for example 4444.

If a PIN code has been set, the user will be prompted to enter the code when trying to access the menu. Entering the code correctly will disable the lock until the user returns back to the basic view.

LOCK [x] [yyyy]<cr>

where

- x = Keypad locking level, range 0...2. The options are:
0 - No lock (enables full access)
1 - Menu locked, but graphs are accessible
2 - Keypad completely disabled
- yyyy = 4-digit PIN code. The code can only be set when keypad locking level is 1.

Examples:

```
>lock 1 4444
Keyboard lock : 1 [4444]
>
```

```
>lock 1
Keyboard lock : 1
>
```

Serial Output Settings

The communication settings for the user port can be changed via the serial line or by using the optional display/keypad. The communication settings for the service port are fixed and not changeable.

NOTE

If a communication module (LAN, WLAN, or RS-422/RS-485 interface) has been installed, the user port is not accessible. Any changes to the settings are applied to the interface provided by the module, if applicable.

Using Display/Keypad

1. Press any of the arrow buttons to open the **Main Menu**.
2. Select **Interfaces** and press the ► arrow button to confirm your selection.
3. Select **Serial interface** and press the ► arrow button to confirm your selection.
4. Select **Bit rate** and **Serial format** by pressing the **CHANGE** button. Use the ▲ ▼ arrow buttons to select and press **SELECT** to confirm your selection.
5. Select the **Protocol** to be used by the serial output by pressing the **CHANGE** button. Select the option using the ▲ ▼ arrow buttons and press **SELECT**. This is the same serial mode setting that is changed by the **SMODE** serial command.
 - **RUN** mode continuously outputs the measurement message at the set interval. If you select the RUN mode, set the desired **RUN interval** also.
 - **POLL** mode enables multiple transmitters to share the same RS-485 line. If you select the POLL mode, select the **Device address** also, as each transmitter on the line must have a unique address.
 - In **STOP** mode, transmitter outputs the transmitter software version at reset or power-up and remains silent, waiting for commands.
 - The **SEND** mode is almost identical to the STOP mode. The only difference is that the transmitter outputs a measurement message at start-up, instead of software version.
 - In **MODBUS** mode, only Modbus protocol communication is available. See Chapter 5, Modbus, on page 151.
6. Select the **RUN interval** and the unit. Press **OK** to confirm.
7. Select the **Device address** and press **SET** to confirm.
8. Select **ECHO**, and press **ON** to turn it on, **OFF** to turn it off.

9. Press **EXIT** to return to the basic display.

The new user port settings set using the display/keypad are effective immediately.

Using Serial Line

NOTE

You can use the serial commands to change/view the user port settings even if you are currently connected to the service port.

SERI

Use the **SERI** command to set the communication settings for the user port. Changed settings will be activated at next reset or power up.

SERI [*b p d s*]<cr>

where

- b** = Bit rate (110, 150, 300, 600, 1200, 2400, 4800, 9600, 19200, 38400, 57600, 115200)
- p** = Parity (n = none, e = even, o = odd)
- d** = Data bits (7 or 8)
- s** = Stop bits (1 or 2)

The settings can be changed one parameter at a time or all parameters at once.

Example (changing all parameters):

```
>SERI 600 N 8 1  
600 N 8 1  
>
```

Example (changing parity only):

```
>SERI O  
4800 O 7 1
```

SMODE

Use the **SMODE** command to set the user port start-up operating mode.

SMODE [xxxx]<cr>

where

xxx = STOP, SEND, RUN, POLL, or MODBUS.

Table 34 Selection of Output Modes

Mode	Measurement Output	Available Commands
STOP	Only with the SEND command.	All (default mode).
SEND	One measurement message automatically at start-up, then only with the SEND command.	All.
RUN	Automatic output.	Only command S .
POLL	Only with the SEND [addr] command.	SEND [addr] and OPEN [addr]. Other commands available after opening a line to the transmitter using the OPEN command. Use with RS-485 buses where multiple transmitters can share the same line.
MODBUS	Must be read from the transmitter using Modbus protocol.	Modbus protocol only; see Chapter 5, Modbus, on page 151.

Selected output mode will be activated at next reset or power up.

ADDR

Use the **ADDR** command to set the device address of the transmitter. Addresses are required for POLL mode and MODBUS mode (serial Modbus).

ADDR [aa]<cr>

where

aa = Device address of the transmitter, range 0 ... 255 (default = 0)

Example (changing the transmitter address from 0 to 52):

```
>addr
Address      : 0 ? 52
>
```

INTV

Use the **INTV** command to set the RUN mode output interval. The time interval is used only when the RUN mode is active. Setting the interval to zero enables the fastest possible output rate.

INTV [xxx yyy]<cr>

where

xxx = Delay, range 0 ... 255.

yyy = Unit: S, MIN or H.

Example (setting the output interval to 10 minutes):

```
>intv 10 min
Output interval: 10 min
>
```

SDELAY

With the **SDELAY** command you can set delay (response time) for user port, or view currently set delay value. Adjusting the delay may be needed when half-duplex communication (typically two-wire RS-485) is used.

The delay value corresponds to tens of milliseconds (for example, 5 = 0.050s minimum answer delay). The value can be set between 0 ... 254.

Example:

```
>sdelay
Serial delay : 0 ? 10
```

```
>sdelay
Serial delay : 10 ?
```

ECHO

Use the **ECHO** command to set the user port echo. The command either enables or disables echo of characters received.

ECHO [x]<cr>

where

x = ON (enabled, default) or OFF (disabled)

NOTE

When using the RS-485 interface with a 2-wire connection, always disable echo. When using a RS-232, RS-422/485 4-wire connection, LAN, or WLAN, you can enable or disable it as you wish.

Data Recording

Data recording function is always on and collects data automatically into the memory of the device. If the optional data logger module is installed, the transmitter uses it automatically. Recorded data do not disappear from the memory when the power is switched off. Collected data can be observed in a form of a graph in the graphical view of the display or it can be listed out by using the serial line or MI70 Link program.

Selecting Data Recording Quantities

If the device is provided with the optional display, the recorded quantities are always those selected for the display. Up to four quantities can be recorded at a time. For instructions on how to select the display quantities with the keypad, see section Changing Quantities and Units on page 103.

DSEL

Use the serial line command **DSEL** to select the quantities to be recorded if the transmitter is not equipped with display/keypad.

```
DSEL [xxx]<cr>
```

where

xxx = Data recording quantity. For more information on available quantities and units, see Table 4 on page 22. For more information on optional quantities, see Table 5 on page 22.

Example:

```
>dsel rh t tdf
  RH T Tdf
>
```

Enter the command without parameters and press **ENTER** to display the current recording parameters.

View Recorded Data

If the device is provided with the optional display, the graphical display shows the data of the selected quantities, one at a time. For details about graphical display, see section Graphic History on page 72.

You may also dump the logged data to the serial line in numeric form with the following commands.

DIR

Use the serial line and enter the **DIR** command to check the available files.

Without the data logger module, the device records six files (six observation periods) for each selected quantity. The data logger raises the number of recorded files to seven for each quantity. Thus, the total amount of the files varies between 6 and 28. See Table 14 on page 72.

Select, for example, two quantities (P and T). The last column illustrates the number of data points that has been stored in the file.

Example (data logger module installed):

```
>dir
  File description           Oldest data available       No. of points
1  P   (10 s intervals)     2007-05-30 08:26:50        13996800
2  P   (90 s intervals)     2007-05-30 05:25:30        1555200
3  P   (12 min intervals)   2007-05-29 05:48:00        194400
4  P   (2 h intervals)      2007-05-19 02:00:00        19440
5  P   (12 h intervals)     2007-03-23 12:00:00        3240
6  P   (3 d intervals)      2006-04-20 00:00:00        540
7  P   (12 d intervals)     2002-12-16 00:00:00        135
8  T   (10 s intervals)     2007-05-30 08:26:50        13996800
9  T   (90 s intervals)     2007-05-30 05:25:30        1555200
10 T   (12 min intervals)   2007-05-29 05:48:00        194400
11 T   (2 h intervals)      2007-05-19 02:00:00        19440
12 T   (12 h intervals)     2007-03-23 12:00:00        3240
13 T   (3 d intervals)      2006-04-20 00:00:00        540
14 T   (12 d intervals)     2002-12-16 00:00:00        135
```

Example (without data logger module):

```
>dir
  File description           Oldest data available       No. of points
1  P   (10 s intervals)     2008-04-11 23:41:10        135
2  P   (90 s intervals)     2008-04-11 20:41:11        135
3  P   (12 min intervals)   2008-04-10 21:03:41        135
4  P   (2 h intervals)      2008-03-31 18:03:41        135
5  P   (12 h intervals)     2008-02-04 12:03:41        135
6  P   (3 d intervals)      2007-03-04 00:03:41        135
7  T   (10 s intervals)     2008-04-11 23:41:11        135
8  T   (90 s intervals)     2008-04-11 20:41:11        135
9  T   (12 min intervals)   2008-04-10 21:03:41        135
10 T   (2 h intervals)      2008-03-31 18:03:41        135
11 T   (12 h intervals)     2008-02-04 12:03:41        135
12 T   (3 d intervals)      2007-03-04 00:03:41        135
>
```

PLAY

Use the **PLAY** command to output the selected file to the serial line. If the data logger module is installed, you can specify an interval to be outputted. If no interval is specified, the last 135 data points are outputted by default.

Data in the output is <TAB> delimited. This is compatible with most spreadsheet programs. Before giving the command, set the local date and time with **TIME** and **DATE** commands, if needed.

PLAY [x] [*start_date start_time end_date end_time*]<cr>

where

- x = Number of the data file that will be outputted, range 0 ... 21. The numbers correspond to the output of the DIR command; refer to the example on page 128. Selecting number 0 will output all data files.
- start_date = Starting date of the interval to be outputted. Must be given in the following format: yyyy-mm-dd.
- start_time = Starting time of the interval to be outputted. Must be given in the format hh:mm:ss or h:mm.
- end_date = Ending date of the interval to be outputted. Must be given in the following format: yyyy-mm-dd.
- end_time = Ending time of the interval to be outputted. Must be given in the format hh:mm:ss or h:mm.

Example:

```
>play 3 2007-05-05 00:00:00 2007-05-06 00:00:00
RH (12 min intervals) 2007-05-05 00:00:00 121
Date          Time          trend    min      max
yyyy-mm-dd   hh:mm:ss      %RH      %RH      %RH
2007-05-05   00:00:00     19.16    18.99    19.33
2007-05-05   00:12:00     19.30    19.09    19.55
2007-05-05   00:24:00     20.01    19.28    21.17
2007-05-05   00:36:00     21.21    20.98    21.44
2007-05-05   00:48:00     19.57    17.72    21.11
2007-05-05   01:00:00     19.09    18.62    19.84
...
```

You can use the <ESC> key to interrupt the output listing.

NOTE

Output of large amounts of recorded data can result in huge data files and take a long time, up to several days for the entire memory of the data logger at 10 second resolution. To make it easier to process the data it is recommended to select the largest suitable data interval, and to specify the start and end times carefully.

Deleting the Recorded Files

You can delete the recorded data files using the keypad/display, or the **DELETE** command on the serial line. The deletion is always done for all data; you cannot delete individual files.

Note that the transmitter automatically overwrites the old data when the memory is full, so manual deletion of the recorded files is not necessary in normal use.

To delete the data files using the keypad/display:

1. Press any of the arrow buttons to open the **Main Menu**.
2. Select **System** and press the right arrow button.
3. Select **Clear graph memories** by using the down arrow button. Press the **CLEAR** key. Confirm by pressing the **YES** key.

CAUTION

This function clears the entire data history of the transmitter, including all graphs and the content of the optional data logger module.

UNDELETE

Similarly to the **DELETE** command, the **UNDELETE** command is used without any arguments. It will recover all deleted data that has not been overwritten yet.

Analog Output Settings

The analog outputs are set in the factory according to the order form. In case you want to change the settings, follow these instructions. See section Third Analog Output on page 54.

Changing Output Mode and Range

Both output channels have their own DIP switch module with 8 switches, see the position in Figure 2 on page 25 (DIP switches for analog output settings.)

1. Select the current/voltage output, switch ON either of the switches, 1 or 2.
2. Select the range, switch ON one of the switches from 3 to 7.

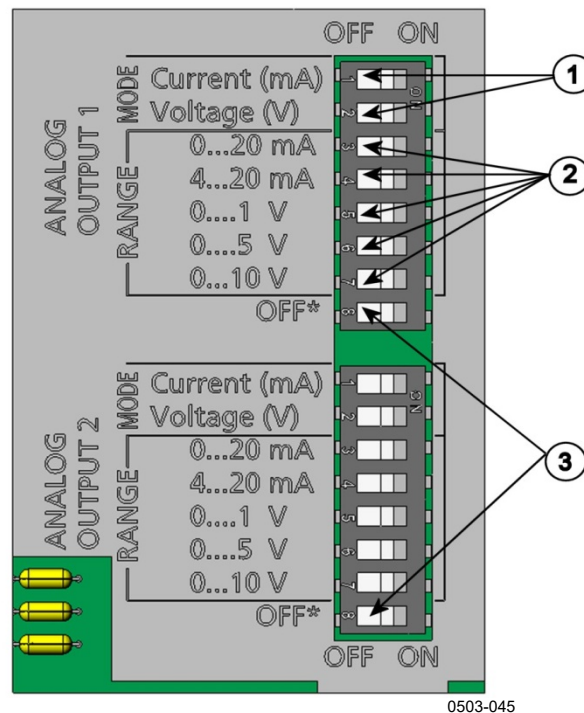


Figure 59 Current/Voltage Switches of Output Modules

The following numbers refer to Figure 59 above:

- 1 = Current/voltage selection output switches (from 1 to 2)
- 2 = Current/voltage range selection switches (from 3 to 7) in analog output 1 and 2
- 3 = Switches for service use only. Keep in OFF position always.

NOTE

Only set one mode and one range switch to ON for one output channel. The rest of the switches must remain OFF.

Example: 0 ... 5 V voltage output selected for channel 1 and 4...20 mA selected for channel 2.

	OFF	ON	Selection
1	<input checked="" type="checkbox"/>	<input type="checkbox"/>	Voltage output selected
2	<input type="checkbox"/>	<input checked="" type="checkbox"/>	
3	<input checked="" type="checkbox"/>	<input type="checkbox"/>	0 ... 5 V selected
4	<input type="checkbox"/>	<input checked="" type="checkbox"/>	
5	<input checked="" type="checkbox"/>	<input type="checkbox"/>	Current output selected
6	<input type="checkbox"/>	<input checked="" type="checkbox"/>	
7	<input checked="" type="checkbox"/>	<input type="checkbox"/>	4 ... 20 mA selected
8	<input type="checkbox"/>	<input checked="" type="checkbox"/>	

NOTE If you have customized the error output setting (**AERR**), check that the set error values are still valid after changing the output mode/range. See section Analog Output Fault Indication Setting on page 135.

Analog Output Quantities

NOTE For best accuracy, pressure must always be output using Ch3, if available.

Use the display/keypad to change and scale the analog output quantities.

1. Press any of the arrow buttons to open the **Main Menu**.
2. Select **Interfaces** and press the right arrow button.
3. Select **Analog outputs** and press the right arrow button.
4. Select **Output 1/2/3** and press the right arrow button.
5. Select **Quantity** and press the **CHANGE** key.
6. Select the quantity by using the up/down arrow buttons. Press the **SELECT** key to confirm your selection.
7. Select **Scale**, lower limit, by pressing the up/down arrow buttons. Press the **SET** key. Adjust the lower limit value by pressing the arrow buttons up/down/left/right. Press the **OK** key to confirm your setting.

8. Select **Scale**, upper limit by pressing the up/down arrow buttons. Press the **SET** key. Adjust the upper limit value by pressing the arrow buttons up/down/left/right. Press the **OK** key to confirm your setting.
9. Press the **EXIT** key to return to the basic display.

AMODE/ASEL

Use the serial line to select and scale the analog output quantities. Check the analog output modes with the **AMODE** command.

AMODE<cr>

Example:

```
>amode
Ch1 output      : 0...1V
Ch2 output      : 0...1V
>
```

Select and scale the quantities for the analog outputs with the command **ASEL**. Note that the optional quantities can be selected only if they have been selected when ordering the device.

ASEL [xxx yyy zzz]<cr>

where

xxx	=	Quantity of channel 1
yyy	=	Quantity of channel 2
zzz	=	Quantity of the optional analog output channel 3

Always enter the quantities for all outputs. For quantities and their abbreviations see Table 4, Table 5 and Table 6 on page 22.

Use the **ASEL** [xxx yyy] command as shown in the example below when using a device with two analog outputs.

Example:

```
>asel rh t p
Ch1 RH   low  : 0.00 %RH ?
Ch1 RH   high : 100.00 %RH ?
Ch2 T    low  : -40.00 'C ?
Ch2 T    high : 60.00 'C ?
Ch3 P    low  : 500.00 hPa ?
Ch3 P    high : 1100.00 hPa ?
>
```

Analog Output Tests

Use the display/keypad to test the operation of the analog outputs by forcing the outputs to known values. Measure then the outputs with a current/voltage meter.

1. Press any of the arrow buttons to open the **Main Menu**.
2. Select **System** and press the right arrow button.
3. Select **Diagnostics** and press the right arrow button.
4. Select **Analog output tests** and press the right arrow button.
5. Select one of the testing options **Force 0%/50%/100% of scale**. Press the **TEST** key. All outputs are tested simultaneously. The actual output value depends on the selected range.
6. Press the **OK** key to stop testing. Then press the **EXIT** key to return to the basic display.

NOTE

Testing of channel 3 with the display/keypad is not supported. To test channel 3, use the **ITEST** command as described below.

ITEST

Use the serial line to test the operation of the analog outputs. Use the **ITEST** command to force the analog outputs to entered values. The set values remain valid until you enter the command **ITEST** without parameters or **RESET** the transmitter.

ITEST [*aa.aaa bb.bbb cc.ccc*]<cr>

where

aa.aaa = Current or voltage value to be set for channel 1 (mA or V)

bb.bbb = Current or voltage value to be set for channel 2 (mA or V)

cc.ccc = Current or voltage value to be set for channel 3 (optional)
(mA or V)

Example:

```
>itest 20 5
Ch1 (Td )      :          *      20.000 mA   H'672A
Ch2 (T )       :          *      5.000 mA   H'34F9
>itest
Ch1 (Td )      :  -23.204 'C   16.238 mA   H'FFFE
Ch2 (T )       :   22.889 'C   8.573 mA   H'5950
>
```


Analog Output Fault Indication Setting

Factory default state for analog outputs during error condition is 0 V/ 0 mA. Please be careful when selecting the new error value. The error state of the transmitter should not cause unexpected problems in process monitoring.

Use the display/keypad to set the analog output fault indication.

1. Press any of the arrow buttons to open the **Main Menu**.
2. Select **Interfaces** and press the right arrow button.
3. Select **Analog Outputs** and press the right arrow button.
4. Select **Output 1/2/3** and press the right arrow button.
5. Select **Fault indication**. Press the **SET** key. Enter the fault indication value by using the arrow buttons. Press the **OK** key to confirm your setting. This value is outputted if a transmitter error occurs.
6. Press the **EXIT** key to return to the basic display.

AERR

Use the serial line **AERR** command to change the error output.

AERR<cr>

Example:

```
>aerr
Ch1 error out : 0.000V ? 5.0
Ch2 error out : 0.000V ? 5.0
>
```

NOTE

The error output value must be within a valid range of the output mode.

NOTE

The error output value is displayed only when there are minor electrical faults such as a humidity sensor damage. When there is a severe device malfunction, the error output value is not necessarily outputted.

Extend Analog Output Range

Use the **AOVER** command to allow the analog output channels to exceed their specified range. The scaling of the parameter remains as before; the extra range is used for additional measurement range in the high end of the scale.

AOVER [*ON/OFF*]
<cr>

Example:

```
>aover on  
Extended output: ON  
>
```

The following example illustrates how the analog output is affected. Channel 1 outputs RH with voltage output 0 ... 5 V (0 ... 100 %RH). After giving the **AOVER ON** command, the range is 0 ... 5.5 V (0 ... 110 %RH). Note that the 100 %RH point is still at 5 V. Note also that depending on the parameter and scaling, the overshoot may exceed the 10 % mentioned in the example, and be up to the hardware limit of the used analog signal type.

Operation of Relays

Quantity for Relay Output

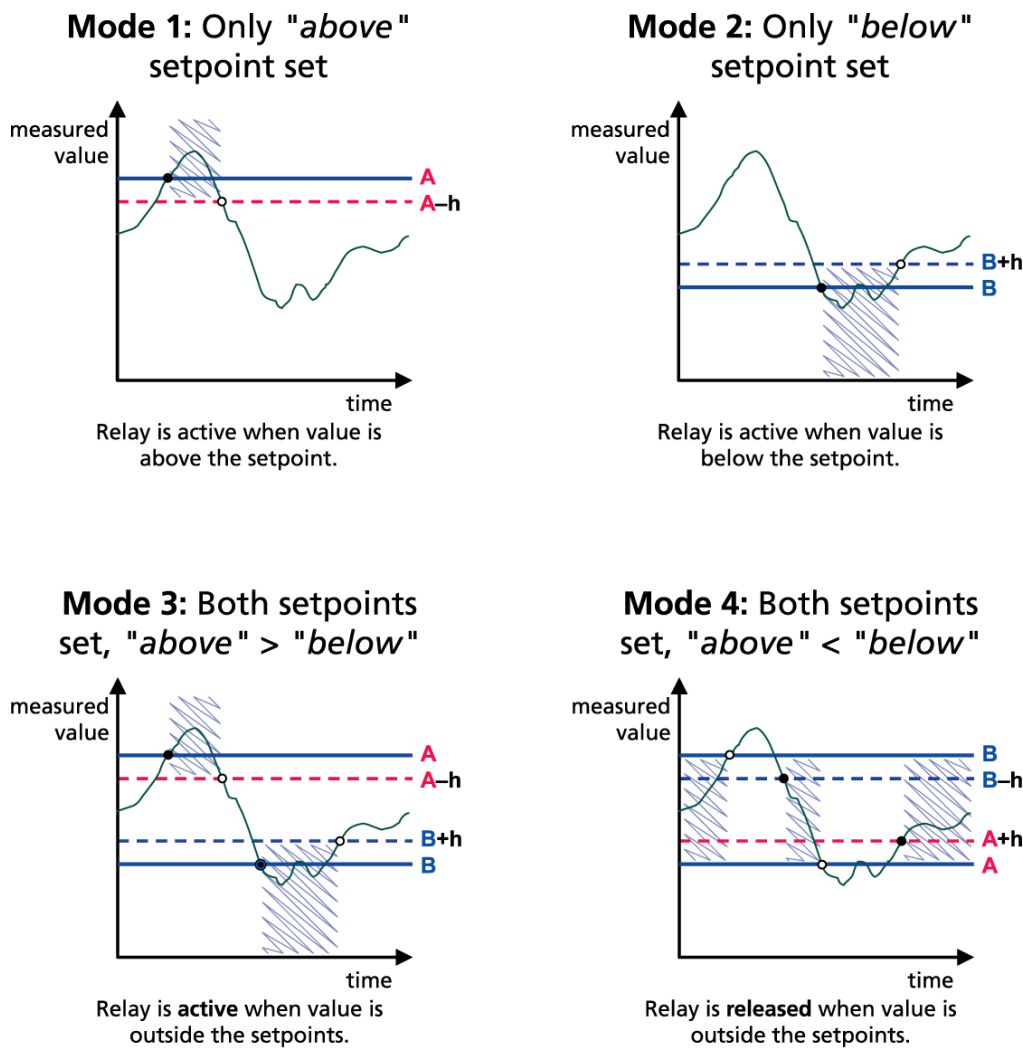
A relay monitors the quantity chosen for the relay output. Any of the quantities available can be chosen.

Measurement-Based Relay Output Modes

Relay Setpoints

When the measured value is in between the "above" and "below" values, the relay is passive. When choosing lower value as "above" value and higher value as "below" value, the relay is passive when the measured value is not between the setpoints. You can also set only one setpoint.

See Figure 60 on page 137 for illustrative examples of the different measurement-based relay output modes.





Legend


A "Active above" setpoint value

B "Active below" setpoint value

h Hysteresis value

 Relay is active (**NO – C** connected)

 Relay is activated

 Relay is released

1102-007

Figure 60 Relay Output Modes

Mode 4 is usually used if an alarm needs to be triggered when the measured value exceeds a safe range. The relay is active when measurement is in range, and is released if the value goes out of range or the measurement fails.

NOTE

If the measurement of the selected quantity fails or the transmitter loses its power, the relay is released.

Hysteresis

Hysteresis function is to prevent the relay switching back and forth when the measured value is near to the setpoint values.

Relay is activated when the measured value passes the exact value of the setpoint. When returning and passing the setpoint again relay is not released before the value reaches the setpoint increased/decreased by the hysteresis value.

Hysteresis should be smaller than difference of the setpoints.

Example:

When the 'active above' value is 60 %RH and the hysteresis value is 5 %RH, relay activates when the relative humidity reaches 60 %RH. As the humidity decreases, relay releases at 55 %RH.

NOTE

If both setpoints are specified and "above" setpoint is lower than "below" setpoint, the hysteresis works in the opposite direction, that is, relay is **released** when the measured value passes the exact value of the setpoint.

Relay Indicating Transmitter Error Status

You can set a relay to follow the operation status of the device. By selecting FAULT/ONLINE STATUS for output quantity a relay changes state on the basis of the operation status as follows:

FAULT STATUS

Normal operation: relay active (C and NO outputs are closed)

Not measuring state (error state or power off): relay released (C and NC outputs are closed)

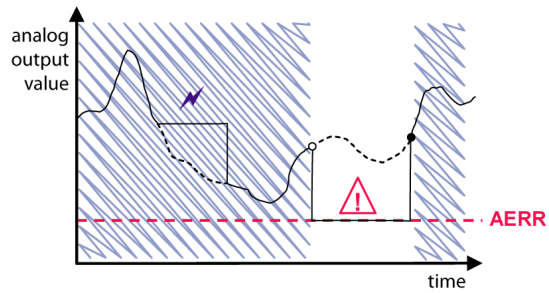
ONLINE STATUS

Live measurement (data available): relay active (C and NO outputs are closed)

No live data (for example: error state, chemical purge or adjustment mode): relay released (C and NC outputs are closed)

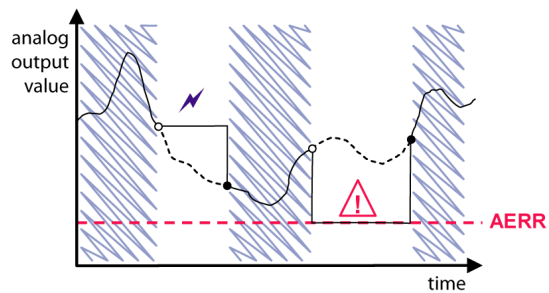
See Figure 61 on page 139 for illustrative examples of the FAULT/ONLINE STATUS relay output modes.

Analog output vs. "FAULT STATUS" relay



Relay is released in case of a measurement failure only.

Analog output vs. "ONLINE STATUS" relay



Relay is released when the output values are frozen, the adjustment mode is activated, or an instrument failure is detected

Legend

AERR	Analog output "fault indication" value set by user
	Outputs frozen because of e.g. Purge
	Measurement failure because of e.g. damaged sensor
---	True value of the measurement parameter during the exceptional situation
	Relay active (NO – C connected)
●	Relay is activated
○	Relay is released

1102-040

Figure 61 FAULT/ONLINE STATUS Relay Output Modes

FAULT/ONLINE STATUS relays are usually used in conjunction with an analog output to obtain validity information for the output value.

NOTE

If transmitter loses its power, all status-based relays are released similarly to the case of an instrument failure.

Table 35 Relay State Examples

Criterion for Relay Activation	Transmitter Operation Status	NC-C Connected	NO-C Connected
Not chosen			
	Power off		
RH below 50 %*	Measured RH above 50 %		
	Measured RH below 50 %		
RH above 50 %*	Measured RH above 50 %		
	Measured RH below 50 %		
Fault status	Measurement OK		
	Error active		
Online status	Measurement live		
	Purge or sensor heating active		

* Hysteresis has an effect when relay switching is based on live measurement. See section Hysteresis on page 138.

Enabling/Disabling Relays

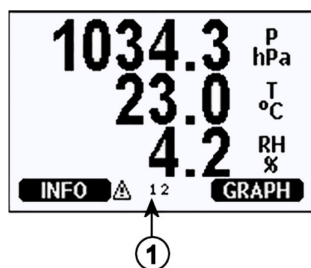
You can deactivate the relay outputs for example for service purposes of your system.

Setting Relay Outputs

NOTE

When you have only one relay module installed, its relays are called “relay 1” and “relay 2”.

When you have two relay modules, the relays of the module connected to slot **MODULE 1** are called “relay 1” and “relay 2” and relays connected to slot **MODULE 2** are called “relay 3” and “relay 4”.



0706-055

Figure 62 Relay Indicators on Display

Number refers to Figure 62 above:

- 1 = Lists enabled relays. Activation state shown in black. Disabled relays are not shown.

Use the display/keypad to set the relay outputs.

1. Press any of the arrow buttons to open the **Main Menu**.
2. Select **Interfaces** and press the right arrow button.
3. Select **Relay outputs** and press the right arrow button.
4. Select **Relay 1/2/3/4**, press the right arrow button.
5. Select **Quantity**, press the **CHANGE** button. Select quantity by using the up/down arrow buttons. Confirm your selection by pressing the **SELECT** button.
6. Select **Act. above/Act. below**. Press the **SET** button. You may be asked, whether you want to modify the value or remove the setpoint. In this case, select **MODIFY** to adjust the value or **REMOVE** to clear the setpoint. Adjust numeric values by pressing the up/down/left/right arrow buttons. Confirm your selection by pressing the **OK** button.
7. Select **Hysteresis**. Press the **SET** key and adjust the value. Finally press the **OK** button.

8. Select **Relay enable**. Press the **ON/OFF** key to enable/disable the relay.

RSEL

Use the serial line to select the quantity, setpoints and hysteresis or enable/disable the relay outputs. Enter the **RSEL** command.

RSEL [*q1 q2*]<cr>

where

q1 = Quantity for the relay 1 or Fault/Online
q2 = Quantity for the relay 2 or Fault/Online

Factory setting: All relays disabled.

Use the quantity abbreviations presented above. For quantities and their abbreviations and pressure units, see Table 4, Table 5, and Table 6 on page 22.

Example of window limit switch:

Selecting relay 1 to follow relative humidity measurement and relay 2 to follow temperature measurement. Two relay setpoints are set for both relays.

```
>rsel rh t
Rel1 RH  above: 0.00 %RH ? 30
Rel1 RH  below: 0.00 %RH ? 40
Rel1 RH  hyst : 0.00 %RH ? 2
Rel1 RH  enabl: OFF ? ON
Rel2 T   above: 0.00 'C ? 30
Rel2 T   below: 0.00 'C ? 40
Rel2 T   hyst : 0.00 'C ? 3
Rel2 T   enabl: OFF ? ON
>
```


Example of normal limit switch:

Selecting relay 1 to follow relative humidity, relay 2 to follow temperature, relay 3 to follow dew point, and relay 4 to follow dew point. One setpoint is chosen for all the outputs.

```
>rsel rh t td td
Rel1 RH   above: 60.00 %RH ? 70
Rel1 RH   below: 70.00 %RH ? -
Rel1 RH   hyst : 2.00 %RH ? 2
Rel1 RH   enabl: ON ? on
Rel2 T    above: 50.00 'C ? 60
Rel2 T    below: 40.00 'C ? -
Rel2 T    hyst : 2.00 'C ? 2
Rel2 T    enabl: ON ? on
Rel3 Td   above: 5.00 'C ? 10
Rel3 Td   below: 0.00 'C ? -
Rel3 Td   hyst : 1.00 'C ? 1
Rel3 Td   enabl: OFF ? on
Rel4 Td   above: 0.00 'C ? 20
Rel4 Td   below: 0.00 'C ? -
Rel4 Td   hyst : 0.00 'C ? 2
Rel4 Td   enabl: OFF ? on
>
```

Example of using relay 1 as fault alarm: selecting relay 1 to follow the fault status and relay 2 to follow the temperature measurement.

```
>rsel fault t
Rel1 FAUL above: -
Rel1 FAUL below: -
Rel1 FAUL hyst : -
Rel1 FAUL enabl: ON ?
Rel2 T    above: 0.00 'C ? 30
Rel2 T    below: 0.00 'C ? -
Rel2 T    hyst : 0.00 'C ? 2
Rel2 T    enabl: OFF ? ON
>
```

Testing Operation Of Relays

Testing activates relays even if they are disabled.

Use the module push buttons to activate the relays. Press the **REL 1** or **REL 2** key to activate the corresponding relay.

Relay is activated: led is lit
Relay is not activated: led is not lit

Use the display/keypad to test the operation of relays.

1. Open the **Main Menu** by pressing any of the arrow buttons.
2. Select **System**, press the right arrow button.
3. Select **Diagnostics**, press the right arrow button.
4. Select **Relay tests**, press the right arrow button.
5. Select **Invert relay 1...**, press the **TEST** key. Now the selected relay output is forced to opposite state. Press the **OK** key to return to normal operation.
6. Press the **EXIT** key to return to the basic display.

RTEST

Use the serial line command **RTEST** to test the operation of the relays.

RTEST [*x1 x2 x3 x4*]**<cr>**

where

x = ON/OFF

Example: Activate and then release all four relays.

```
>rtest on on on on
ON ON ON ON
>
>rtest off off off off
OFF OFF OFF OFF
>
```

Enter the command **RTEST** without parameters to stop testing.

Sensor Functions

Chemical Purge (Optional)

In some specific applications the sensor gain may decrease gradually due to an interference caused by a particular chemical present in the measured gas, for example. The decrease of sensor gain due to an interfering chemical and the effect of the chemical purge process are illustrated below, see Figure 63 on page 145. The sensor polymer absorbs the interfering chemical, and this reduces the ability of the polymer to absorb water molecules. Consequently, the sensor gain decreases. In chemical purge, heating the humidity sensor to a temperature level of approximately +160 °C for several minutes evaporates the interfering chemical.

The purge function starts with heating stage, continues with settling and when the temperature of the sensor is decreased the transmitter returns to normal mode. The whole cycle takes about 6 minutes.

NOTE

Chemical purge function locks the output values for about 6 minutes.

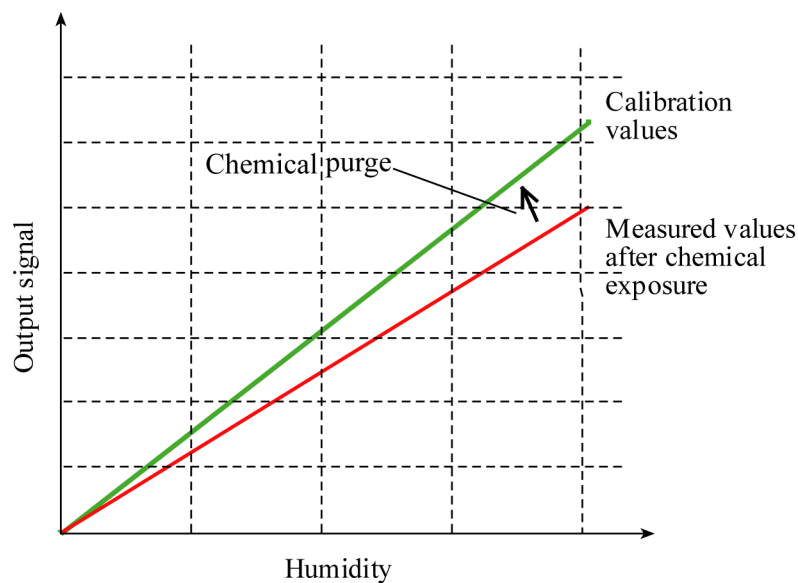


Figure 63 Decrease of Sensor Gain

Before starting the chemical purge, note the following:

- the sensor is protected with a PPS grid with stainless steel netting, a stainless steel sintered filter or with membrane SST filter

- the sensor temperature must be below 100 °C. At higher temperatures the chemicals evaporate spontaneously from the sensor and the chemical purge is not necessary.

Automatic Chemical Purge (Interval Purge)

When PTU300 leaves the factory the automatic chemical purge (if chosen) takes place repeatedly with the time intervals set in the factory. User can change the interval in which the purge takes place by using serial commands or with the optional display/keypad. This can be needed if the measuring environment contains high concentrations of interfering chemicals. The automatic chemical purge can also be turned off if necessary.

Manual Chemical Purge

The chemical purge should be performed always before calibration (see section Calibration and adjustment on page 165) or when there is a reason to believe that a sensor has become exposed to an interfering chemical. Make sure that the temperature of the sensor has come down to normal temperature before starting a calibration.

Chemical Purge in Power Up

Chemical purge (start-up purge) can be set to start within 10 seconds from the power-up of the device.

Starting and Configuring Chemical Purge

Using Buttons On Motherboard

Start manual chemical purge by pressing simultaneously two **PURGE** buttons on the motherboard inside the transmitter for a few seconds. Indicator LED flashes until purge is complete (up to 6 minutes).

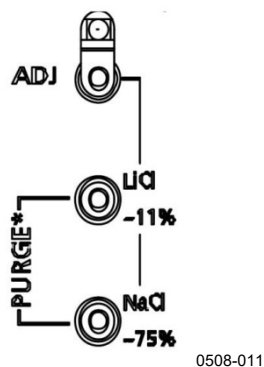


Figure 64 Purge Buttons on Motherboard

Using Display/Keypad (Optional)

Set the automatic and manual chemical purge by using the display/keypad.

1. Open the **Main Menu** by pressing any of the arrow buttons.
2. Select **Measuring**, press the right arrow button.
3. Select **Chemical purge**, press the right arrow button.

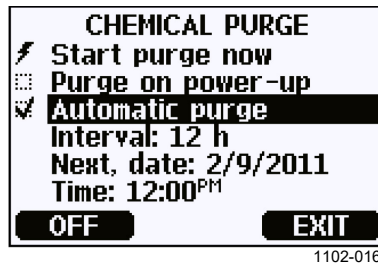


Figure 65 Chemical Purge Settings

- Start the chemical purge manually by selecting **Start purge now** and pressing START.
 - Select **Purge on power-up** by using the arrow buttons. Press On/Off to turn the start-up purge on/off.
 - Select **Automatic purge** and turn it on or off by pressing the ON/OFF key.
 - Select **Interval** and press the SET key. Set the purge interval and the unit (hour/day) by using the arrow buttons. The interval must be set between 1 hour...10 days. Press the OK key.
 - If you have the data logger module installed, you can also specify the **Date** and **Time** when the purge is performed next.
4. Press the **EXIT** key to return to the basic display.

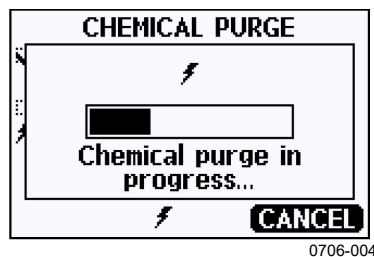


Figure 66 Performing Chemical Purge

Using Serial Line

PURGE

Use the **PURGE** command to start chemical purge immediately.

>purge

Purge started, press any key to abort.

The prompt '>' appears when the heating period is over. However, the transmitter outputs are locked to the values measured before performing chemical purge until the settling time is over.

PUR

With the **PUR** command you can enable or disable automatic and power-up chemical purge and set the interval for automatic purge. If the sensor is exposed to chemicals it is recommended to have the chemical purge done at least once in 720 min (=12 hours). In applications where the chemical exposure is not likely, the interval can be longer.

If the transmitter has a data logger module installed, you can also set the starting date and time for the interval purge. After the set time has been reached, the interval purge will be performed at the set interval. This functionality can be used to make sure the chemical purge starts at a specific time of the day.

Do not change the settings for duration, settling, temperature or temperature difference unless instructed by Vaisala personnel.

Type **PUR** and press ENTER to proceed. Skip unchanged values by pressing ENTER. Input changed values in the format shown by the current value (for example, date and time). The maximum interval is 14400 minutes (=10 days).

Example (no data logger module installed):

```
>pur
Interval Purge : OFF ?
Interval       : 720 min ?
Power-up Purge : OFF ?
Duration      : 120 s ?
Settling      : 240 s ?
Temperature   : 160 'C ?
Temp. diff.   : 0.5 'C ?
>
```

Example (with data logger module installed):

```
>pur
Interval Purge : OFF ?
Interval       : 720 min ?
Power-up Purge : OFF ?
Duration      : 120 s ?
Settling      : 240 s ?
Temperature   : 160 'C ?
Temp. diff.   : 0.5 'C ?
Next Purge date: 2011-02-09 ?
Next Purge time: 12:00:00 ?
>
```

NOTE To activate the new interval settings immediately, reset the transmitter.

NOTE When chemical purge in power-up is enabled, wait about 6 min after power-up before taking measurements. The output channels are locked for the first operation minutes to the initial measured values.

RGLIMIT

Use the **RGLIMIT** command to prevent the chemical purge in subzero temperatures.

RGLIMIT [*ON/OFF*]<cr>

where

ON = Chemical purge disabled in < 0 °C temperatures.

OFF = Chemical purge allowed in < 0 °C temperatures.

Example (turn on the limiter and prevent purge in subzero temperatures):

```
>rglimit on
No purge if <0'C: ON
>
```

Setting Sensor Heating

This function is optionally available only in transmitters with HUMICAP®180C sensor. It should be used only with the warmed probe.

The sensor heating is recommended for the high humidity environments where even small temperature differences can cause water to condense on the sensor. The sensor heating speeds up the recovery of the humidity sensor from condensation.

Sensor heating starts-up when the relative humidity of the measuring environment reaches the RH-value set by a user (RH-limit). The user can define the RH-sensor heating temperature as well as the duration of the heating.

After the heating cycle the humidity conditions are checked and new sensor heating is performed if the predefined conditions are reached again.

NOTE During the sensor heating the outputs are locked to the values measured before the heating cycle.

Setting Humidity Sensor Heating using Display/Keypad

When the PTU300 leaves the factory the sensor heating follows the factory default values. You can enable/disable the function, change the RH-limit and define the heating temperature and duration of this function.

1. Open the **Main Menu** by pressing any of the arrow buttons.
2. Select **Measuring**, press the right arrow button.
3. Select **Sensor heating**, press the **ON** key.

Using Serial Line

XHEAT

Enables/disables the sensor heating.

XHEAT [xx]

where:

xx = ON / OFF

Example:

```
>xheat on
Extra heat      : ON
>xheat off
Extra heat      : OFF
>
```

To configure the sensor heating use the **XHEAT** command without parameters. Enter the values after question mark. The available ranges include the following:

Extra heat RH -limit (heating function starts-up above the setpoint)	0...100 %RH (default: 95 %RH)
Extra heating temperature	0...200 °C (default: 100 °C)
Extra heating time	0...255 s (default: 30 s)

Example:

```
>xheat
Extra heat      : OFF
Extra heat RH  : 95 ? 90
Extra heat temp: 100 ? 85
Extra heat time: 30 ? 10
>xheat on
Extra heat      : ON
>
```


CHAPTER 5

MODBUS

This chapter contains information that is needed when operating the transmitter using the Modbus protocol.

Overview of Modbus Protocol Support

The PTU300 transmitter can be accessed using the Modbus serial communication protocol. Support for Modbus protocol is available on all PTU300 transmitters as a standard feature from software version 5.10 onward. The supported Modbus variants and the connections they use are listed in Table 36 below.

Table 36 Supported Modbus Variants

Supported Modbus Variant	Connections
Modbus RTU (Serial Modbus)	RS-232 (standard User Port) RS-422/485 interface (optional module)
Modbus TCP (Ethernet Modbus)	LAN interface (optional module) WLAN interface (optional module)

The supported Modbus functions, registers, configuration options, and diagnostics are described in Appendix C, Modbus Reference, on page 211.

Note the following limitations of the Modbus implementation:

- Modbus TCP mode accepts only one TCP connection at a time. Design the system so that only one Modbus TCP client accesses the transmitter.
- Modbus TCP can process reliably only one Modbus transaction at a time. Reduce the polling rate of the client to avoid nested transactions.

Taking Modbus into Use

To take the Modbus protocol into use on the PTU300, you must perform some configuration tasks using the built-in display and keypad (optional) or a PC connected to the serial line. For example, you can connect to the service port using the USB service cable (Vaisala order code: 219685). The transmitter must be powered from a suitable power supply during configuration.

Instructions for performing the configuration are provided in the following sections:

- Enabling Serial Modbus on page 153
- Enabling Ethernet Modbus on page 154

After configuring the transmitter, perform the transmitter installation and wiring according to the instructions in Chapter 3, Installation, on page 29.

The configuration instructions assume you are familiar with the use of the transmitter. Additional details on the display/keypad, service port use, and serial commands are available in other sections of this manual:

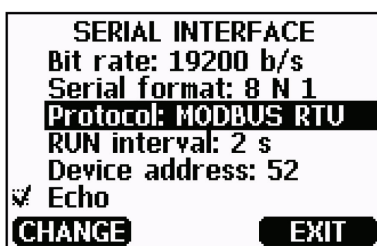
- The use of the display/keypad option is described in section Display/Keypad (Optional) on page 68.
- If this is the first time you are using the USB service cable, you can find detailed instructions in section Service Port Connection on page 84. You must install the required driver before using the service cable.
- Configuration of the LAN and WLAN interfaces is described in section LAN Communication on page 86.
- The serial commands available through the service port are described beginning from section List of Serial Commands on page 96.

Enabling Serial Modbus

In addition to enabling the Modbus protocol in the device, Modbus over RS-232 or RS-485 needs the following software settings: serial bit rate, parity, number of stop bits, and Modbus device address.

Using Display/Keypad (Optional)

1. Open the **Main Menu** by pressing any of the ▼ ▲ ◀ ▶ arrow buttons.
2. Navigate to **Interfaces ▶ Serial Interface**.
3. On the **Serial Interface** settings screen:
 - Enable the Modbus protocol.
 - Change the baud rate and parity if necessary.
 - Set the Modbus device address.



1101-033

Figure 67 Serial Interface Settings

4. After changing the settings, press the **EXIT** button. Modbus configuration is now complete, as configuration changes made with the display and keypad are effective immediately.

Using Serial Line

1. Open the transmitter cover.
2. Connect power supply wiring (if not using the power supply module) and power up the transmitter.
3. Connect the USB service cable between a computer and the service port of the transmitter.
4. Start the Vaisala USB Instrument Finder program (which has been installed on the computer along with the USB service cable driver), and check the COM port that the cable is using.
5. Open a terminal program, and connect to the service port. The fixed serial line settings of the service port are 19200, 8, 1, N.

6. Use the **SMODE** command to enable the Modbus mode:

```
>smode modbus  
Serial mode      : MODBUS  
>
```

7. If necessary, use the **SERI** command to check and/or change the serial interface settings for the User Port. For example, to set the User Port serial settings to 19200 N 8 1, issue the following command:

```
>seri 19200 N 8 1
```

NOTE

The number of data bits must always be 8 for Modbus RTU.

Serial Modbus interface of the PTU300 does not work with baud rates 115, 150, and 300 b/s.

8. Use the **ADDR** command to set the Modbus address of the transmitter. For example, to set the Modbus address to 52, issue the following command:

```
>addr 52
```

You must set a non-zero address or Modbus RTU will not work.

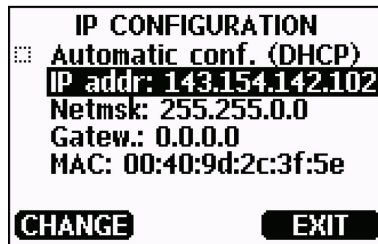
9. Modbus configuration is now complete. Reset or power cycle the transmitter to enable the Modbus mode, and proceed with the installation of the transmitter and the wiring of the serial interface.

Enabling Ethernet Modbus

In addition to enabling the Modbus protocol in the device, Modbus TCP needs the following software settings: IP address, subnet mask, and default gateway address. Also network name (SSID) and security settings must be configured if wireless network is used.

Using Display/Keypad (Optional)

1. Open the **Main Menu** by pressing any of the ▼ ▲ ◀ ▶ arrow buttons.
2. Navigate to **Interfaces ► Network Settings ► IP Configuration**.
3. On the **IP Configuration** screen, set the network configuration settings, and exit to save the changes.



1101-034

Figure 68 IP Configuration

4. Navigate back to the **Network Settings** menu. If you are using the WLAN interface, select **Wireless LAN Settings**.
5. On the **Wireless LAN Settings** screen, set the network name (SSID) and security options, and exit to save the changes.

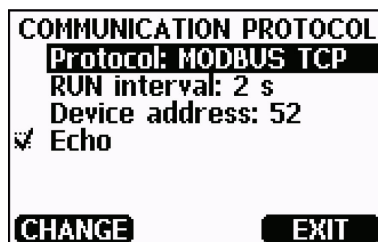


1101-036

Figure 69 Wireless LAN Settings

6. Navigate back to the **Network Settings** menu. Select **Communication Protocol**.
7. On the **Communication Protocol** screen, enable the Modbus protocol. Press the **EXIT** button to save the changes.

Note that the device address setting is not relevant for Modbus TCP. In the Modbus mode, the transmitter will respond to all valid Modbus messages with any “unit identifier” value.



1101-034

Figure 70 Communication Protocol

8. Modbus configuration is now complete, as configuration changes made with the display and keypad are effective immediately.

Using Serial Line

1. Open the transmitter cover.
2. Connect power supply wiring (if not using the power supply module) and power up the transmitter.
3. Connect the USB service cable between a computer and the service port of the transmitter.
4. Start the Vaisala USB Instrument Finder program (which has been installed on the computer along with the USB service cable driver), and check the COM port that the cable is using.
5. Open a terminal program, and connect to the service port. The fixed serial line settings of the service port are 19200, 8, 1, N.
6. Use the **SMODE** command to enable the Modbus mode:

```
>smode modbus
serial mode      : MODBUS
>
```

7. Configure the networking parameters of the interface you are using:

NOTE

After transmitter startup, it may take a few minutes for the network interface to become available for configuration.

- a. Use the **NET** command to configure the networking parameters of both LAN and WLAN interface. You can, for example, enter the command without parameters and enter the settings as prompted:

```
>net
DHCP                : ON ? OFF
IP address           : 0.0.0.0 ? 143.154.142.102
Subnet mask          : 0.0.0.0 ? 255.255.0.0
Default gateway:    : 0.0.0.0 ?
Web config.         : ON ? OFF
Save changes (Y/N) ? y
OK
>
```

- b. If you are using the WLAN interface, use the **WLAN** command to configure the network name (SSID) and security settings. For example:

```
>wlan
Network SSID        : NAME ? NETWORKID
Type                 : OPEN ? WPA-PSK/TKIP
WPA-PSK phrase      : thequickbrownfox
Save changes (Y/N) ? y
OK
>
```

For a description of the available settings, see section Wireless LAN Configuration on page 89.

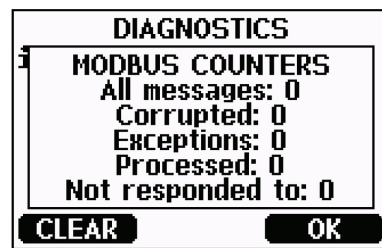
8. Modbus configuration is now complete. Reset or power cycle the transmitter to enable the Modbus mode, and proceed with the installation of the transmitter.

Diagnostic Modbus Counters

PTU300 has diagnostic counters that can be used to pinpoint Modbus problems. The counters are always active when the Modbus protocol is enabled.

Viewing Counters using Display/Keypad

You can use the display/keypad option to view and clear the counters. Enter the **Main Menu** and navigate to **System ► Diagnostics ► MODBUS Counters**.



1101-037

Figure 71 Modbus Counters

Viewing Counters using Service Port

Use the **MODBUS** command to view the counters:

MODBUS<cr>

Example:

```
>modbus
Bus messages      : 0
Bus comm. error: 0
Bus exceptions   : 0
Slave messages   : 0
Slave no resp.  : 0
Last message     :
>
```

In addition to the diagnostic counters, the last message (received or transmitted) is shown in hexadecimal format. If the last message was a broadcast message, the suppressed response message is shown.

The last message displayed may be incomplete if there is active Modbus traffic while using the **MODBUS** command.

Modbus RTU only: If the last received message was rejected because of bad CRC checksum, the **MODBUS** command displays the message with corrected CRC (last two bytes updated).

To clear the counters, select again the Modbus mode with the **S.MODE** command:

```
>smode modbus
```

Disabling Modbus

If you stop using Modbus with the transmitter, set the transmitter to some other operating mode using the display/keypad option or the **S.MODE** command.

For example, to return the transmitter to the RUN mode where the measurements are output at regular intervals, issue the following command through the service port:

```
>smode run
```

Alternatively, you can enter the **Main Menu** using the display/keypad option, and change the mode from the **Interfaces** submenu.

The other communication settings of the output interface (User Port, LAN interface, or WLAN interface) will remain as configured, but the Modbus protocol will be disabled.

CHAPTER 6

MAINTENANCE

This chapter contains information that is needed in basic maintenance of the product

Periodic Maintenance

Cleaning

Clean the transmitter enclosure with a soft, lint-free cloth moistened with mild detergent.

Changing the Probe Filter

1. Turn the filter counter-clockwise to loosen it.
2. Remove the filter from the probe. Be careful not to touch the sensor with the filter. Without the filter in place, the sensor is easily damaged – handle the probe carefully.
3. Install a new filter on the probe. When using the stainless steel filter, take care to tighten the filter properly (recommended force 5 Nm).

New filters can be ordered from Vaisala, see section Spare Parts and Accessories on page 193.

Changing the Sensor

NOTE

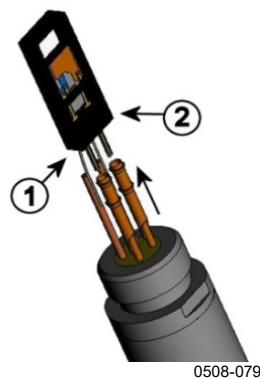
When replacing the sensor, the new sensor must be of the same type as the old sensor (for example, HUMICAP180R). The sensor type can only be changed at a Vaisala Service Center. Information on Vaisala sensors is available online at www.vaisala.com/sensorinfo.

Changing HUMICAP180 and HUMICAP180R humidity sensors is simple. If the transmitter has the chemical purge and/or warmed probe option which utilize the HUMICAP180C or HUMICAP180RC sensor, the change is more difficult as soldering is required to attach the pins of the integrated temperature sensor element. Vaisala recommends that you leave the replacement of HUMICAP180C and HUMICAP180RC sensors to Vaisala Service Centers, but spare parts are available if you want do it yourself. Soldering instructions are not provided.

Changing the sensor should be considered corrective maintenance, and it is not necessary in normal operation. If the accuracy of the transmitter does not seem to be within specification, it is more likely that the transmitter is in need of calibration and adjustment, and not sensor replacement. Refer to chapter Calibration and adjustment on page 165.

To replace the HUMICAP180 or HUMICAP180R sensor:

1. Remove the filter from the probe. See the instructions in section Changing the Probe Filter on page 159.
2. Remove the damaged sensor and insert a new one. Handle the new sensor by the plastic socket. **DO NOT TOUCH THE SENSOR PLATE.**
3. Perform a calibration and adjustment as instructed in section Relative Humidity Adjustment After Sensor Change on page 178.
4. Install a new filter on the probe. When using the stainless steel filter, take care to tighten the filter properly (recommended force 5 Nm).



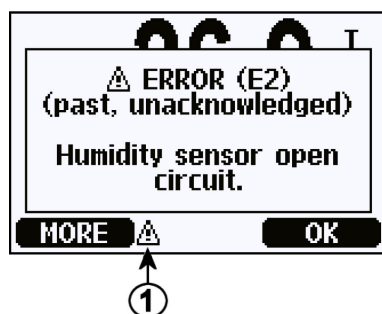
- 1 = Pull out the sensor
2 = Plastic socket

Figure 72 Changing the Sensor

Error States

In error state the affected quantities are not measured and the output is shown as follows:

- Analog channel outputs 0 mA or 0 V (you can use the serial line command **AERR** or display/keypad to change this fault indication value, see section Analog Output Fault Indication Setting on page 135.)
- Serial port outputs stars "***" instead of measurement data.
- Display shows "----" instead of measurement data.
- Cover LED is blinking.
- Error indicator is shown on the display.



1103-068

Figure 73 Error Indicator and Error Message

Number refers to Figure 73 above:

1 = Error indicator

The error indicator disappears when the error state is over and you have checked the error message. Press the **INFO** button to display the error message.

You can also check the error message via the serial interface by using the command **ERRS**. In case of constant error, please contact Vaisala, see section Technical Support on page 163.

Table 37 Error Messages

Error Code	Error Message	Action
E0	Humidity sensor measurement malfunction.	Check the integrity of the humidity probe and the probe cable. Clean the probe from dirt, water, ice or other contaminants.
E1	Humidity sensor short circuit	
E2	Humidity sensor open circuit	
E3	Temperature sensor open circuit.	
E4	Temperature sensor short circuit.	
E5	Temperature measurement malfunction	
E6	Temperature sensor current leak.	Check the integrity of the humidity probe and the probe cables. Clean the probes from dirt, water, ice or other contaminants.
E7	Internal ADC read error	Internal transmitter failure. Remove the transmitter and return the faulty unit to Vaisala Service.
E8	Additional temperature sensor short circuit	Check the integrity of the temperature probe and the probe cable. Clean the probe cable from dirt, water, ice or other contaminants.
E9	Checksum error in the internal configuration memory	Internal transmitter failure. Remove the transmitter and return the faulty unit to Vaisala Service.
E10	Internal EEPROM read error	
E11	Internal EEPROM write error	
E12 ... E13	Add-on module 1 (or 2) connection failure	Turn off the power and check the module connection. Turn on the power.
E14	Device internal temperature out of range	Ensure that the operating temperature is within the valid range.
E15	Internal RAM memory or software checksum error	Internal transmitter failure. Remove the transmitter and return the faulty unit to Vaisala Service.
E16 ... E17	Pressure measurement failure in add-on module slot 1 or 2	Disconnect power and check pressure module connection.
E18	Internal ADC reference voltage out of range	Internal transmitter failure. Remove the transmitter and return the faulty unit to Vaisala Service.
E19	Internal analog output reference voltage out of range	
E20 ... E22	Configuration switches for analog output 1/2/3 set incorrectly	Check and re-set the switches, see page 55.
E24 ... E25	Internal error in add-on module 1 (or 2)	Disconnect the power and check the module connection.
E26	Communication module installed in incorrect add-on module slot	Disconnect the power and change the communication module to another module slot.
E27	Pressure out of valid range	Check that assumed pressure is within measurement range for the transmitter.
E28 ... E29	Unknown/incompatible module installed in add-on module slot 1 (or 2)	Ensure that the module is compatible with the PTU300.
E30	Internal analog voltage out of range	Internal transmitter failure. Remove the transmitter and return the faulty unit to Vaisala Service.
E31	Internal system voltage out of range	Check that the supply voltage is correct and the power supply can provide enough power for the instrument.

Technical Support

For technical questions, contact the Vaisala technical support by e-mail at helpdesk@vaisala.com. Provide at least the following supporting information:

- Name and model of the product in question
- Serial number of the product
- Name and location of the installation site
- Name and contact information of a technically competent person who can provide further information on the problem

For contact information of Vaisala Service Centers, see www.vaisala.com/servicecenters.

This page intentionally left blank.

CHAPTER 7

CALIBRATION AND ADJUSTMENT

The PTU300 is fully calibrated and adjusted as shipped from factory. Typical calibration interval is two years. Depending on the application it may be good to make more frequent checks. Calibration must be done always when there is a reason to believe that the device is not within the accuracy specifications.

When defining the calibration interval the long term specifications and the requirements of the customer must be taken into consideration. Contact Vaisala Service Centers for details.

It is recommended that calibration and adjustment should be carried out by Vaisala. For contact information of Vaisala Service Centers, see www.vaisala.com/servicecenters.

Calibration and adjustment is carried out either by using the push buttons on the motherboard, through the serial port or with the optional display/keypad.

Vaisala portable instruments HM70 and HMI41 can also be used.

Pressure

The user can select a simple offset or a two-point offset and gain adjustment and use the LCI command for adjustment of pressure transducer. The MPCI command is used for the more sophisticated multipoint correction capability at up to eight pressure levels.

Check first what linear corrections the transmitter is currently using before attempt to readjust the transducer. As the previous linear corrections will disappear when new linear corrections are input, the user has to take into account the previous linear corrections when deciding about the new ones.

NOTE

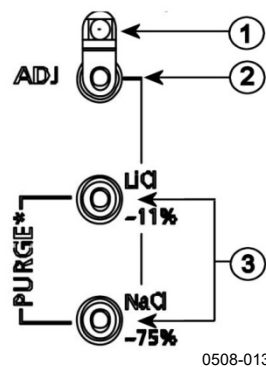
Entering new linear or multipoint corrections will always cancel the previous corrections. It is advisable to write down the previous linear and multipoint corrections so that they will not be lost by mistake.

Table 38 Adjustment and Calibration Commands

Function	Command
Linear corrections on/off	LCI ON/OFF
Entering linear corrections	LCI
Multipoint corrections on/off	MPCI ON/OFF
Entering multipoint corrections	MPCI
Calibration date	CDATE

Opening and Closing the Adjustment Mode

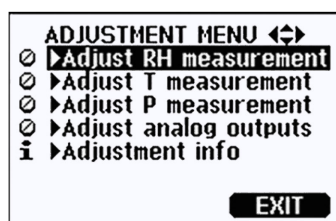
1. Open the transmitter cover. The buttons needed in adjustment are on the left-hand side of the motherboard.
2. If the chemical purge option is available, it should be carried out always before RH calibration. To start chemical purge press simultaneously two **PURGE** push buttons (on the motherboard) for a few seconds. Red indicator LED flashes with short pulses until purge is complete (up to 6 minutes).
3. Press the **ADJ** button to open the adjustment mode.
4. Press the **ADJ** button again to close the adjustment mode.

**Figure 74 Adjustment and Purge Buttons**

The following numbers refer to Figure 74 above:

- 1 = Indicator LED
- 2 = Adjustment button
- 3 = Press the purge buttons simultaneously to start chemical purge (if available)

Adjustment menu is displayed only when **ADJ** button (on the motherboard inside the transmitter) is pressed.



0706-054

Figure 75 Adjustment Menu

Table 39 Indicator Led Functions

Indicator Led Function	Description
LED off	Adjustment locked
LED on	Adjustment available
LED blinking evenly	Measurement not stabilized
LED blinking with short pulses	Performing chemical purge

NOTE

If using a warmed probe (**PTU307 option**), probe heating will be interrupted when **ADJ** button is pressed. Allow sufficient time for the probe to reach ambient temperature before starting the adjustment procedure.

NOTE

Fixed pressure compensation value of 1013.25 hPa is used when in adjustment mode

Pressure Adjustment

One-Point Adjustment Using Display/Keypad

1. Carry out the chemical purge (if available).
2. Press the **ADJ** button to open the **ADJUSTMENT MENU**.
3. Select **Adjust P measurement**, press the right arrow button.
4. Select **P₁ adjustment**. Press the **START** key.
5. Let the readings stabilize. Press the **READY** key when stabilized.
6. Enter the actual pressure of the reference used using the up/down arrow buttons. Press the **OK** key.
7. Press the **YES** key to perform the adjustment. Press the **OK** to return to the adjustment menu.

One-Point Adjustment using Serial Line

NOTE

Making adjustments is possible only after adjustments are unlocked. To unlock the adjustment menu, press the ADJ button on the motherboard of the transmitter.

LCI

Use the **LCI** command

- to activate or deactivate the linear adjustment function
- to enter new linear offset and offset/gain pressure corrections to the transmitter
- to edit existing linear offset and offset/gain pressure corrections.

Key in the linear corrections for each pressure transducer separately.

NOTE

The new linear corrections will always cancel the previous corrections as well as the valid date of calibration of the transmitter.

Example:

```
>lci
P1 linear adj. : OFF ? on
P1 1.reading   : 0.000 ? 950
P1 1.correction: 0.000 ? 0.22
P1 2.reading   : 0.000 ? 1120
P1 2.correction: 0.000 ? 0.15
```

LC

Use the **LC** command to view current status of the linear offset and offset/gain pressure corrections.

Example:

```
>lc
P1 linear adj. : ON
P1 1.reading   : 950.000
P1 1.correction: 0.220
P1 2.reading   : 1120.000
P1 2.correction: 0.150
```

MPCI

Use the **MPCI** command

- to activate or deactivate multipoint pressure adjustment function
- to enter new multipoint pressure measurement corrections
- to edit existing multipoint pressure measurement corrections.

First deactivate the previous pressure corrections by using the **LCI OFF** and/or **MPC1 OFF** commands. Precalibration of the transmitter then gives the required corrections.

When entering new multipoint corrections for pressure, always start at the low-pressure end and then go up the pressure range. Key in the multipoint corrections for each pressure transducer separately.

NOTE

The new multipoint corrections for pressure measurement will always cancel the previous corrections as well as the valid date of calibration of the transmitter.

Example:

```
>mpci
P1 multi adj.   : OFF   ? on
P1 1.reading    : 0.000 ? 900
P1 1.correction: 0.000 ? 0.2
P1 2.reading    : 0.000 ? 950
P1 2.correction: 0.000 ? 0.22
P1 3.reading    : 0.000 ? 1000
P1 3.correction: 0.000 ? 0.27
P1 4.reading    : 0.000 ? 1050
P1 4.correction: 0.000 ? 0.31
P1 5.reading    : 0.000 ? 1100
P1 5.correction: 0.000 ? 0.32
P1 6.reading    : 0.000 ? 1150
P1 6.correction: 0.000 ? 0.33
P1 7.reading    : 0.000 ? 1200
P1 7.correction: 0.000 ? 0.34
P1 8.reading    : 0.000 ?
P1 8.correction: 0.000 ?
```

MPC

Use the **MPC** command to view current status of the multipoint pressure measurement corrections.

Example:

```
>mpc  
P1 multi adj.   : ON  
P1 1.reading    : 900.000  
P1 1.correction: 0.200  
P1 2.reading    : 950.000  
P1 2.correction: 0.220  
P1 3.reading    : 1000.000  
P1 3.correction: 0.270  
P1 4.reading    : 1050.000  
P1 4.correction: 0.310  
P1 5.reading    : 1100.000  
P1 5.correction: 0.320  
P1 6.reading    : 1150.000  
P1 6.correction: 0.330  
P1 7.reading    : 1200.000  
P1 7.correction: 0.340  
P1 8.reading    : 0.000  
P1 8.correction: 0.000  
>
```

Relative Humidity Adjustment

Using Push Buttons

A simple push-button adjustment is carried out by using two relative humidity references: 11 %RH (LiCl) and 75 %RH (NaCl). The three buttons needed for the adjustment are located on the motherboard, at the upper left corner of the transmitter.

1. Carry out the chemical purge (if available).

LiCl reference

2. Press the **ADJ** button (see Figure 74 on page 166) to open the adjustment mode. The indicator LED starts flashing.
3. Remove the filter from the probe and insert the probe into a measurement hole of the 11 %RH (LiCl) in the humidity calibrator HMK15. Use the adapter fitting for the PTU307 probe.
4. Wait at least 30 minutes for the sensor to stabilize (the indicator LED is lit continuously). Adjustment cannot be done if the conditions are not stabilized (indicator LED is flashing).
5. When the indicator LED is lit continuously press the **LiCl~11%** button to adjust the 11 %RH condition. After adjustment transmitter returns to normal operation mode (indicator LED is unlit).

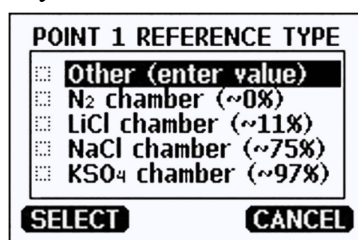
NaCl reference

6. When adjusting in the second reference 75 %RH, press the **ADJ** button to open the adjustment mode. The indicator LED starts flashing.
7. Insert the probe into a measurement hole of the 75 %RH (NaCl) reference chamber of the humidity calibrator HMK15. Use the adapter fitting for the PTU307 probe.
8. Wait at least 30 minutes for the sensor to stabilize (the indicator LED is lit continuously). Adjustment cannot be done if the conditions are not stabilized (indicator LED is flashing).
9. Press the **NaCl~75%** button to adjust the 75 %RH condition. After adjustment transmitter returns to normal operation mode (indicator LED is unlit).

Using Display/Keypad

Note that the difference between the two humidity references must be at least 50 %RH.

1. Carry out the chemical purge (if available).
2. Press the **ADJ** button (opens the **ADJUSTMENT MENU**).
3. Select **Adjust RH measurement**, press the right arrow button.
4. Select **1-point/ 2-point adjustment**. Press the **START** key.
5. Select the reference as guided by the display, press the **SELECT** key.



0706-005

Figure 76 Selecting Point 1 Reference Type

6. Remove the filter from the probe and insert the probe into a measurement hole of the dry end reference chamber (for example, LiCl: 11 %RH in the humidity calibrator HMK15.) Use the adapter fitting for the PTU307 probe.
7. Wait at least 30 minutes for the sensor to stabilize. Follow the stabilization from the **GRAPH** display.
8. Press the **READY** key when stabilized. If you have chosen the **Other** reference value, enter now the reference value by using the arrow buttons.
When carrying out the 2-point adjustment proceed to the next adjustment point and carry out the procedure as described in the previous steps.
9. Press **YES** to confirm the adjustment. Press the **OK** key to return to the adjustment menu.
10. Press the **EXIT** key to close the adjustment mode and return to the basic display. Before closing the adjustment mode, feed the adjustment information into the device, see section Feeding Adjustment Information on page 182.

Using Serial Line

Note that the difference between the two humidity references must be at least 50 %RH.

1. Connect the PTU300 to a PC. See section Serial Line Communication on page 83. Open a terminal program.
2. Carry out the chemical purge (if available).
3. Press the **ADJ** button.
4. Remove the filter from the probe and insert the probe into a measurement hole of the dry end reference chamber (for example, LiCl: 11 %RH in the humidity calibrator HMK15). Use the adapter fitting for the PTU307 probe.
5. Enter the **CRH** command and press **ENTER**.

```
>crh
```

6. Wait at least 30 minutes for the sensor to stabilize.
7. Type **C** and press **ENTER** a few times to check if the reading is stabilized.
8. When the reading is stabilized, give the reference humidity after the question mark and press **ENTER**.

```
>crh
```

```
RH : 11.25 Ref1 ? c
RH : 11.25 Ref1 ? c
RH : 11.25 Ref1 ? c
RH : 11.24 Ref1 ? c
RH : 11.24 Ref1 ? 11.3
Press any key when ready ...
```

9. Now the device is waiting for the high end reference. Insert the probe into a measurement hole of the high end reference chamber (for example, NaCl: 75 %RH chamber in the humidity calibrator HMK15). Use the adapter fitting for the PTU307 probe. Press any key when ready.
10. Let the probe stabilize for about 30 minutes. You can follow the stabilization by typing **C** and pressing **ENTER**.

11. When stabilized, type the high end reference value after the question mark and press **ENTER**.

>**crh**

RH : 11.25 Ref1 ? **c**

RH : 11.24 Ref1 ? **c**

RH : 11.24 Ref1 ? **11.3**

Press any key when ready ...

RH : 75.45 Ref2 ? **c**

RH : 75.57 Ref2 ? **c**

RH : 75.55 Ref2 ? **c**

RH : 75.59 Ref2 ? **75.5**

OK

>

12. **OK** indicates that the adjustment has succeeded and the new calibration coefficients are calculated and stored. Enter the adjustment information (date and text) to the memory of the transmitter, see the commands **CTEXT** and **CDATE**.
13. Press the **ADJ** button on the motherboard to close the adjustment mode.
14. Take the probe out of the reference conditions and replace the filter.

Multipoint Relative Humidity Adjustment Using Serial Line

You can use the **MPC RH** command (introduced in software version 5.14) to perform a multipoint adjustment to the relative humidity measurement. Due to the linear response of the HUMICAP® sensor, the standard two point humidity adjustments are recommended for all users. Use multipoint correction only if:

- You have a requirement to adjust the relative humidity measurement in 3 ... 8 adjustment points.
- You are interested in a narrow range of measurement and want to optimize the RH measurement performance for that range.

Multipoint humidity adjustment works by means of a correction table that holds 3 ... 8 adjustment points. The idea is that for every point, you enter the RH reading that the transmitter shows, and the correct humidity reference value. You can select any reference points in range 0 ... 100 %RH, but Vaisala recommends that the difference between the lowest and highest reference point is at least 50 %RH.

NOTE

Multipoint adjustment is applied “on top” of the standard user-made two point relative humidity adjustment (done with CRH command, push-buttons, or display). It is recommended that before you start using the MPC RH command, you clear the existing humidity adjustment. This is done as part of the example multipoint adjustment procedure provided here.

MPC RH Command Syntax

MPC RH [*function*]<cr>

where

function = Desired function. The options are:

ON – Enable multipoint correction.

OFF – Disable multipoint correction.

LIST – Show correction table.

INIT – Start entering values in correction table.

CLEAR – Remove all values from correction table and disable multipoint correction.

Example Multipoint Adjustment Procedure

1. Connect the PTU300 to a PC. See section Serial Line Communication on page 83. Open a terminal program.
2. Issue the PURGE command to carry out the chemical purge, and wait for six minutes for it to complete. Transmitters without the chemical purge feature will not respond to the command.

```
>purge
Purge started, press any key to abort...
```

3. Press the **ADJ** button on the component board.
4. View the currently applied standard user adjustment offset and gain using the **L** command. If offset is zero and gain is one (example shown below), no user correction is applied:

```
>l
RH offset      : 0.00000000E+00
RH gain        : 1.00000000E+00
T offset       : 0.00000000E+00
T gain         : 1.00000000E+00
```

5. If some RH offset or gain is applied, write down the adjustment and then clear it by writing zero to RH offset and one to RH gain using the **LI** command:

```
>li
RH offset      : 0.00130000E+00 ? 0
RH gain        : 1.04000000E+00 ? 1
T offset       : 0.00000000E+00 ?
T gain         : 1.00000000E+00 ?
```

6. You must now prepare a list of 3 ... 6 correction points using a humidity generator or salt solutions (for example, using the HMK15 Humidity Calibrator). You must measure the transmitter's RH reading at each point, and make a note of the reference RH reading. Here is an example list for a four-point correction:

Table 40 Example List for Multipoint Correction

Point Number	Transmitter's Reading	Reference
1	12.2 %RH	11 %RH
2	34 %RH	33 %RH
3	75.5 %RH	75 %RH
4	97.3 %RH	97 %RH

To start, remove the filter from the probe and insert the probe into a measurement hole of the driest reference chamber you intend to use. Proceed from low to high humidity. Remember to allow at least 30 minutes for the sensor to stabilize at each point.

7. When done preparing the list, remove the probe from the last measurement chamber and re-attach the filter.
8. On the serial line, issue the **MPC RH INIT** command and start entering the readings and reference points from the list you prepared in step 6. When you have no more points to enter, press enter to save the points.

```
>mpc rh init
1 Reading : ? 12.2
1 Reference: ? 11
2 Reading : ? 34
2 Reference: ? 33
3 Reading : ? 75.5
3 Reference: ? 75
4 Reading : ? 97.3
4 Reference: ? 97
5 Reading : ?
```

Mpc points saved.

9. Issue the **MPC RH LIST** command to verify the list you entered:

```
>mpc rh list
MPC : OFF
# Reading Reference Correction
1 12.20 11.00 -1.20
2 34.00 33.00 -1.00
3 75.50 75.00 -0.50
4 97.30 97.00 -0.30
```

10. If you are satisfied with the correction list, enable multipoint correction by issuing the command **MPC RH ON**.

```
>mpc rh on
```

11. Multipoint adjustment of relative humidity is now complete.

Relative Humidity Adjustment After Sensor Change

Using Display/Keypad

When using the optional display/keypad, follow the instructions in section Using Display/Keypad on page 172 on page but select **Adj. for new RH sensor** (instead of **1-point/ 2-point adjustment**).

Using Serial Line

After sensor change, carry out the procedure as described in previous sections. Just replace the **CRH** command with the **FCRH** command.

FCRH

Example:

```
>fcrh
RH      :    1.82 1. ref    ?    0
Press any key when ready...
RH      :    74.22    2. ref    ? 75
OK
>
```

The OK indicates that the calibration has succeeded.

Temperature Adjustment

Using Display/Keypad

1. Press the **ADJ** button on the motherboard to open the **ADJUSTMENT MENU**. If using a warmed probe for measuring, probe heating will be interrupted when **ADJ** button is pressed. Wait some time for the probe to reach ambient temperature.
2. Select **Adjust T measurement** (or **TA measurement** for additional probe) press the right arrow button.
3. Select **1-point/ 2-point adjustment**. Press the **START** key.
4. Remove the filter from the probe and insert the probe into the reference temperature.
5. Wait at least 30 minutes for the sensor to stabilize. Follow the stabilization from the **GRAPH** display.
6. Press the **READY** key when stabilized. Give the reference temperature using the arrow buttons.

When carrying out the 2-point adjustment, proceed to the next adjustment point and carry out the procedure as described in the previous items. Please note that the difference between the two temperature references must be at least 30 °C.

7. Press the **OK** key. Then press **YES** to confirm the adjustment.
8. Press the **OK** key to return to the adjustment menu.
9. Press the **EXIT** key to close the adjustment mode and return to the basic display

Using Serial Line

1. Press the **ADJ** button on the motherboard to open the adjustment mode. If using a warmed probe for measuring, probe heating will be interrupted when **ADJ** button is pressed. Wait some time for the probe to reach ambient temperature.
2. Remove the probe filter and insert the probe into the reference temperature.
3. Enter the command **CT** or (**CTA** for additional T probe) and press **ENTER**.
4. Type **C** and press **ENTER** a few times to check if the reading is stabilized. Let the reading stabilize, give the reference temperature after the question mark and press **ENTER** three times.

When having another reference temperature (2-point calibration) press **ENTER** only twice and insert the probe to the second reference. When the reading is stabilized, give the second reference temperature after the question mark and press **ENTER**. Note that the difference between the two temperature references must be at least 30 °C.

Example (1-point adjustment):

```
>ct
T : 16.06 Ref1 ? c
T : 16.06 Ref1 ? c
T : 16.06 Ref1 ? c
T : 16.06 Ref1 ? c
T : 16.06 Ref1 ? c
T : 16.06 Ref1 ? 16.0
Press any key when ready ...
T : 16.06 Ref2 ?
OK
>
```

5. **OK** indicates that the calibration has succeeded. Give the calibration information (date and text) to the transmitter's memory; see the serial commands **CTEXT** and **CDATE**.
6. Press the **ADJ** button on the motherboard to close the adjustment mode.
7. Take the probe out of the reference conditions and replace the filter.

Analog Output Adjustment (Ch1 and Ch2)

In the analog output calibration the analog output is forced to the following values:

- Current output: 2 mA and 18 mA
- Voltage output: 10 % and 90 % of the range

Connect PTU300 to a calibrated current/voltage meter in order to measure either current or voltage depending on the selected output type.

NOTE

Normally, analog output Ch3 does not need to be adjusted once it has left from the factory. However, if accuracy of the unit is suspected, it is advisable to return the unit to Vaisala for re-adjustment/calibration.

Using Display/Keypad

1. Press the **ADJ** button to open the **ADJUSTMENT MENU**.
2. Select **Adjust analog outputs**, press the right arrow button.
3. Select the output to be adjusted **Adjust analog output 1/2**, press the **START** key.
4. Measure the first analog output value with a multimeter. Give the measured value by using the arrow buttons. Press the **OK** key.
5. Measure the second analog output value with a multimeter. Give the measured value by using the arrow buttons. Press the **OK** key.
6. Press the **OK** key to return to the adjustment menu.
7. Press the **EXIT** key to close the adjustment mode and to return to the basic display.

Using Serial Line

Enter the **ACAL** command and type the multimeter reading for each case. Continue by pressing **ENTER**.

ACAL

Example (current outputs):

```
>acal
Ch1    I1    (mA) ?    2.046
Ch1    I2    (mA) ?    18.087
Ch2    I1    (mA) ?    2.036
Ch2    I2    (mA) ?    18.071
>
```

Feeding Adjustment Information

This information is shown on the device information fields. See section Device Information on page 118.

Using Display/Keypad

1. If you are not in the adjustment menu, press the **ADJ** button on the motherboard (opens the **ADJUSTMENT MENU**).
2. Select **Adjustment info**, press the right arrow button.
3. Select **Date**, press the **SET** key. Enter date by using the arrow buttons. Press the **OK** key.
4. Select **i**, press the **SET** key. Enter information text including 17 characters at maximum. Use the arrow buttons. Press the **OK** key.
5. Press the **EXIT** key to return to the basic display.

Using Serial Line

CTEXT

Use the **CTEXT** command to enter text to the adjustment information field.

Example:

```
>ctext  
Adjust. info : (not set) ? HMK15  
>
```

CDATE

Use the **CDATE** command to enter date to adjustment information field. Set the adjustment date in format YYYY-MM-DD.

Example:

```
>cdate  
Adjust. date : (not set) ? 2006-01-22  
>
```


CHAPTER 8

TECHNICAL DATA

This chapter provides the technical data of the product.

Specifications

Performance

Barometric Pressure

Pressure range		500 ... 1100 hPa,	50 ... 1100 hPa
Accuracy	500 ... 1100 hPa,	500 ... 1100 hPa	50 ... 1100 hPa
	Class A	Class B	
Linearity	±0.05 hPa	±0.10 hPa	±0.20 hPa
Hysteresis*	±0.03 hPa	±0.03 hPa	±0.08 hPa
Repeatability*	±0.03 hPa	±0.03 hPa	±0.08 hPa
Calibration uncertainty**	±0.07 hPa	±0.15 hPa	±0.20 hPa
Accuracy at +20 °C***	±0.10 hPa	±0.20 hPa	±0.30 hPa
Temperature dependence****	±0.1 hPa	±0.1 hPa	±0.3 hPa
Total accuracy (-40 ... +60 °C / -40 ... +140 °F)	±0.15 hPa	±0.25 hPa	±0.45 hPa
Long-term stability/year	±0.1 hPa	±0.1 hPa	±0.2 hPa
Response time (100 % response)			
one sensor	2 s•	1 s•	1 s•
Pressure units	hPa, mbar, kPa, Pa, inHg, mmH20, mmHg, torr, psia		

* Defined as ±2 standard deviation limits of endpoint non-linearity, hysteresis error or repeatability error and calibration.

** Defined as ±2 standard deviation limits of accuracy of the working standard including traceability to NIST.

*** Defined as the root sum of the squares (RSS) of endpoint non-linearity, hysteresis error, repeatability error and calibration uncertainty at room temperature.

**** Defined as ±2 standard deviation limits of temperature dependence over the operating temperature range.

Relative Humidity

Measurement range	0 ... 100 %RH
Accuracy (including non-linearity, hysteresis and repeatability)	
with HUMICAP®180	for typical applications
HUMICAP®180R	for typical applications
HUMICAP®180C	for applications with chemical purge and/or warmed probe
HUMICAP®180RC	for applications with chemical purge and/or warmed probe
at +15... 25 °C	± 1 %RH (0 ... 90 %RH) ± 1.7 %RH (90 ... 100 %RH)
at -20...+40 °C	± (1.0 + 0.008 × reading) %RH
at -40...+60 °C	± (1.5 + 0.015 × reading) %RH
Factory calibration uncertainty (+20 °C)	±0.6 %RH (0 ... 40 %RH) ±1.0 %RH (40 ... 97 %RH) (Defined as ± 2 standard deviation limits. Small variations possible, see also calibration certificate.)
Response time (90 %) for HUMICAP®180 and HUMICAP®180C in still air	8 s with grid filter 20 s with grid + steel netting filter 40 s with sintered filter
Response time (90 %) for HUMICAP®180R and HUMICAP®180RC at 20 °C in 0.1 m/s air flow	17 s with grid filter 50 s with grid + steel netting filter 60 s with sintered filter

Temperature (+ Operating Pressure Ranges)

Table 41 PTU301, 303, 307 and 30T Temperature and Operating Pressure Ranges

Variable	PTU 301	PTU303	PTU 307	PTU30T**
Housing * (barometric pressure measurement limit)	-40...+60 °C (-40...+140 °F)	-40...+60 °C (-40...+140 °F)	-40...+60 °C (-40...+140 °F)	-40...+60 °C (-40...+140 °F)
Probe* (operational limit when measuring RH or T)	-40...+60 °C (-40...+140 °F)	-40 ...+80 °C (-40 ...+176 °F)	-40 ...+180 °C (-40 ...+356 °F)	-70 ...+180 °C (-94 ...+356 °F) **
Accuracy at +20 °C (+68 °F)	± 0.2 °C (± 0.4 °F)	± 0.2 °C (± 0.4 °F)	± 0.2 °C (± 0.4 °F)	± 0.1 °C (± 0.18 °F)
Temperature units	°C, °F	°C, °F	°C, °F	°C, °F

* Note that the operational temperature limits of the PTU303, PTU307 and PTU30T probes are higher than for the PTU300 transmitter itself. The transmitter's temperature limit is based on the upper temperature limit for barometric pressure measurement, +60°C (140°F).

** PTU30T is used for T and P measurements only, RH measurement not in use.

Accuracy over temperature range (see graph below):

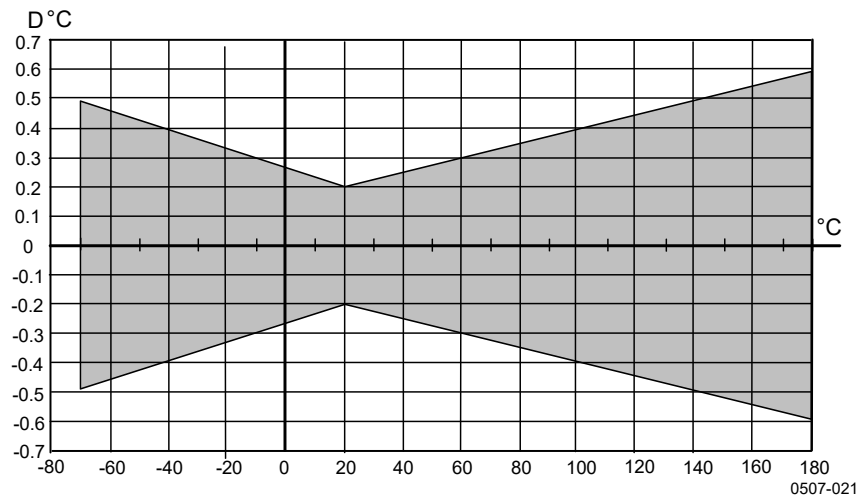


Figure 77 Accuracy over Temperature Range

Temperature sensor

Pt 100 RTD 1/3 Class B IEC 751

Optional Temperature Probe

Temperature measurement range:	-70...+ 180 °C (-94...+356 °F)
Typical accuracy:	0.1 °C (0.18 °F)
Sensor:	Pt100 PRT DIN IEC 751 class 1/4 B
Cable length:	2 m, 5 m, and 10 m
Pressure tight:	up to 7 bar
Probe material:	stainless steel

Calculated Variables

Table 42 Calculated Variables (Typical Ranges)

Variable	PTU 301	PTU303	PTU 307
Dew point temperature	-20...+60 °C	-20...+80 °C	-20...+100 °C
Mixing ratio	0...160 g/kg dry air	0...500 g/kg dry air	0...500 g/kg dry air
Absolute humidity	0...160 g/m ³	0...500 g/m ³	0...500 g/m ³
Wet bulb temperature	0...60 °C	0...+100 °C	0...+100 °C
Enthalpy	-40...+1500 kJ/kg	-40...+1500 kJ/kg	-40...+1500 kJ/kg
Water vapor pressure	0... 1000 hPa	0... 1000 hPa	0... 1000 hPa

Accuracies of Calculated Variables

Accuracies of the calculated variables depend on the calibration accuracy of the humidity and temperature sensors; here the accuracies are given for $\pm 2\%$ RH and $\pm 0.2\text{ °C}$.

Accuracy of Dew Point Temperature °C

Temp.	Relative humidity									
	10	20	30	40	50	60	70	80	90	100
-40	1.86	1.03	0.76	0.63	0.55	0.50	0.46	0.43	—	—
-20	2.18	1.19	0.88	0.72	0.62	0.56	0.51	0.48	—	—
0	2.51	1.37	1.00	0.81	0.70	0.63	0.57	0.53	0.50	0.48
20	2.87	1.56	1.13	0.92	0.79	0.70	0.64	0.59	0.55	0.53
40	3.24	1.76	1.27	1.03	0.88	0.78	0.71	0.65	0.61	0.58
60	3.60	1.96	1.42	1.14	0.97	0.86	0.78	0.72	0.67	0.64
80	4.01	2.18	1.58	1.27	1.08	0.95	0.86	0.79	0.74	0.70
100	4.42	2.41	1.74	1.40	1.19	1.05	0.95	0.87	0.81	0.76
120	4.86	2.66	1.92	1.54	1.31	1.16	1.04	0.96	0.89	0.84
140	5.31	2.91	2.10	1.69	1.44	1.26	1.14	1.05	0.97	0.91
160	5.80	3.18	2.30	1.85	1.57	1.38	1.24	1.14	1.06	0.99

Accuracy of Mixing Ratio g/kg (Ambient Pressure 1013 mbar)

Temp.	Relative humidity									
	10	20	30	40	50	60	70	80	90	100
-40	0.003	0.003	0.003	0.003	0.003	0.004	0.004	0.004	—	—
-20	0.017	0.018	0.019	0.021	0.022	0.023	0.025	0.026	—	—
0	0.08	0.09	0.09	0.10	0.10	0.11	0.11	0.12	0.13	0.13
20	0.31	0.33	0.35	0.37	0.39	0.41	0.43	0.45	0.47	0.49
40	0.97	1.03	1.10	1.17	1.24	1.31	1.38	1.46	1.54	1.62
60	2.68	2.91	3.16	3.43	3.72	4.04	4.38	4.75	5.15	5.58
80	6.73	7.73	8.92	10.34	12.05	14.14	16.71	19.92	24.01	29.29
100	16.26	21.34	28.89	40.75	60.86	98.85	183.66	438.56	—	—
120	40.83	74.66	172.36	—	—	—	—	—	—	—

Accuracy of Wet Bulb Temperature °C

Temp.	Relative humidity									
	10	20	30	40	50	60	70	80	90	100
-40	0.20	0.20	0.20	0.20	0.20	0.20	0.20	0.20	—	—
-20	0.21	0.21	0.22	0.22	0.22	0.22	0.23	0.23	—	—
0	0.27	0.28	0.28	0.29	0.29	0.29	0.30	0.30	0.31	0.31
20	0.45	0.45	0.45	0.44	0.44	0.44	0.43	0.43	0.42	0.42
40	0.84	0.77	0.72	0.67	0.64	0.61	0.58	0.56	0.54	0.52
60	1.45	1.20	1.03	0.91	0.83	0.76	0.71	0.67	0.63	0.60
80	2.23	1.64	1.32	1.13	0.99	0.89	0.82	0.76	0.72	0.68
100	3.06	2.04	1.58	1.31	1.14	1.01	0.92	0.85	0.80	0.75
120	3.85	2.40	1.81	1.48	1.28	1.13	1.03	0.95	0.88	0.83
140	4.57	2.73	2.03	1.65	1.41	1.25	1.13	1.04	0.97	0.91
160	5.25	3.06	2.25	1.82	1.55	1.37	1.24	1.13	1.05	0.99

Accuracy of Absolute Humidity g/m³

Temp.	Relative humidity									
	10	20	30	40	50	60	70	80	90	100
-40	0.004	0.004	0.005	0.005	0.005	0.006	0.006	0.006	—	—
-20	0.023	0.025	0.027	0.029	0.031	0.032	0.034	0.036	—	—
0	0.10	0.11	0.12	0.13	0.13	0.14	0.15	0.15	0.16	0.17
20	0.37	0.39	0.41	0.43	0.45	0.47	0.49	0.51	0.53	0.55
40	1.08	1.13	1.18	1.24	1.29	1.34	1.39	1.44	1.49	1.54
60	2.73	2.84	2.95	3.07	3.18	3.29	3.40	3.52	3.63	3.74
80	6.08	6.30	6.51	6.73	6.95	7.17	7.39	7.61	7.83	8.05
100	12.2	12.6	13.0	13.4	13.8	14.2	14.6	15.0	15.3	15.7
120	22.6	23.3	23.9	24.6	25.2	25.8	26.5	27.1	27.8	28.4
140	39.1	40.0	41.0	42.0	43.0	44.0	45.0	45.9	46.9	47.9
160	63.5	64.9	66.4	67.8	69.2	70.7	72.1	73.5	74.9	76.4

Dew Point Temperature (PTU307 Warmed Probe Option)

Find the intersection of the dew point temperature curve and the dew point difference reading (process temperature - dew point temperature) on the x-axis and read the accuracy in dew point measurement on the y-axis.

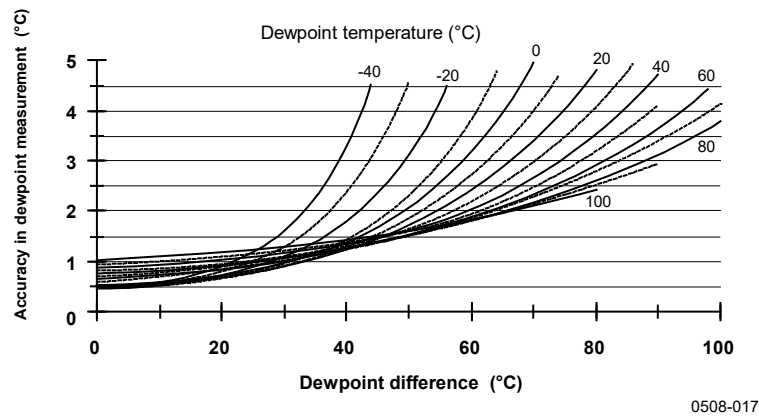


Figure 78 Accuracy in Dew Point Measurement

Operating Conditions

Operating temperature range
 for humidity measurement -70 ... +180 °C (-94 ... +356 °F) see probe specifications
 for transmitter body electronics with display -40 ... +60 °C (40 ... +140°F)
 0 ... +60 °C (+32 ... +140°F)

Storage temperature
 without display -55 ... +80 °C (-67 ... +176 °F)
 with display -40 ... +80 °C (-40 ... +176 °F)

Electromagnetic compatibility EN61326-1: Electrical equipment for measurement, control, and laboratory use – EMC requirements – for use in industrial locations

Inputs and Outputs

Operating voltage	10 ... 35 VDC, 24 VAC
with optional power supply module	100 ... 240 VAC, 50/60 Hz
Start-up time after power-up	3 s
Power consumption at 20 °C (U _{in} 24VDC)	
RS-232	max 28 mA
U _{out} 3 x 0...1V / 0...5V / 0...10V	max 33 mA
I _{out} 3 x 0...20 mA	max 63 mA
display and backlight	+ 20 mA
during chemical purge	+ 110 mA max
during probe heating (PTU307)	+ 120 mA max
Settling time at power-up (one sensor)	
class A	4 s
class B	3 s
Analog outputs	
current output	0 ... 20 mA, 4 ... 20 mA
voltage output	0 ... 1 V, 0 ... 5 V, 0 ... 10 V
Humidity and temperature	
Accuracy of analog outputs at 20 °C	± 0.05 % full scale
Temperature dependency of the analog outputs	± 0.005 %/°C full scale
Pressure	
	500...1100 hPa 50...1100 hPa
Accuracy of analog outputs at 20 °C	0.30 hPa 0.4 hPa
Temperature dependency of the analog outputs	0.6 hPa 0.75 hPa
External loads	
current outputs	RL < 500 ohm
0... 1V output	RL > 2 kohm
0... 5V and 0... 10V outputs	RL > 10 kohm
Wire size	0.5 ... 2.5 mm ² (AWG 20 ... 14)
	stranded wires recommended
Digital outputs	RS-232
	RS-422/485 (optional)
	LAN (optional)
	WLAN (optional)
Protocols	ASCII commands
	Modbus RTU
	Modbus TCP
Relay outputs (optional)	0.5 A, 250 VAC, SPDT
Display (optional)	LCD with backlight, graphic trend display
Menu languages	Chinese, English, Finnish, French, German, Japanese, Russian, Spanish, Swedish

Mechanics

Cable bushing	M20x1.5 For cable diameter 8 ... 11mm/0.31 ... 0.43"
Conduit fitting	1/2"NPT
User cable connector (optional)	M12 series 8- pin (male)
option 1	with plug (female) with 5 m / 16.4 ft black cable
option 2	with plug (female) with screw terminals
Probe cable diameter	
PTU303 80°C	6.0 mm
Other probes	5.5 mm
Probe tube material	
PTU301	Chromed ABS plastic
Other probes	AISI 316L
Housing material	G-AISi 10 Mg (DIN 1725)
Housing classification	
Without display	IP 66 (NEMA 4X)
With display and keypad	IP 65 (NEMA 4X)
Transmitter weight (with probe, cable, and modules)	1.0 ... 3.0 kg (2.2 ... 6.6 lb)

Table 43 Standard Probe Cable Lengths and Approximate Transmitter Weight (in kg/lb)

Probe Type	Probe Cable Length			
	2 m	5 m	10 m	20 m
PTU303	1.1/2.4	1.2/2.6	1.5/3.3	2.1/4.5
PTU307	1.2/2.6	1.3/2.9	1.5/3.3	2.1/4.5

Technical Specifications of Optional Modules

Power Supply Module

Operating voltage	100 ... 240 VAC 50/60 Hz
Connections	screw terminals for 0.5 ... 2.5 mm ² wire (AWG 20 ... 14)
Bushing	for 8 ... 11 mm diameter cable
Operating temperature	-40 ... +60 °C (-40 ... +140 °F)
Storage temperature	-40 ... +70 °C (-40 ... +158 °F)
UL file number	E249387

Analog Output Module

Outputs	0 ... 20 mA, 4 ... 20 mA, 0 ... 1 V, 0 ... 5 V, 0 ... 10 V
Operating temperature range	-40 ... +60 °C (-40 ... +140 °F)
Power consumption	
U _{out} 0...1 V	max 30 mA
U _{out} 0...5V/0...10V	max 30 mA
I _{out} 0... 20 mA	max 60 mA
External loads	
current outputs	R _L < 500 ohms
Max load + cable loop resistance	540 ohms
0...1 V	R _L > 2000 ohms
0...5 V and 0... 10 V	R _L > 10 000 ohms
Storage temperature range	-55 ... +80 °C (-67 ... +176 °F)
3-pole screw terminal	
max wire size	1.5 mm ² (AWG16)

Relay Module

Operating temperature range	-40 ... +60 °C (-40 ... +140 °F)
Operating pressure range	500 ... 1300 mmHg
Power consumption at 24 V	max 30 mA
Contacts SPDT (change over), for example, Contact arrangement Form C	
I _{max}	0.5 A 250 VAC
I _{max}	0.5 A 30 VDC
Safety standard for the relay component	IEC60950 UL1950
Storage temperature range	-55 ... +80 °C (-67 ... +176 °F)
3-pole screw terminal / relay	
max wire size	2.5 mm ² (AWG14)

RS-485 Module

Operating temperature range	-40 ... +60 °C (-40 ... +140 °F)
Operating modes	2-wire (1-pair) half duplex 4-wire (2-pair) full duplex
Operating speed max	115.2 kbaud
Bus isolation	300VDC
Power consumption at 24V	max 50 mA
External loads	
standard loads	32 RL > 10kohm
Storage temperature range	-55 ... +80 °C (-67 ... +176 °F)
Max wire size	1.5 mm ² (AWG16)

LAN Interface Module

Operating temperature range	-40 ... +60 °C (-40 ... +140 °F)
Storage temperature range	-40 ... +85 °C (-40 ... +185 °F)
Operating humidity range	5 ... 95 %RH
Power consumption at 24V	max 60 mA
Ethernet type	10BASE-T 100BASE-TX
Connector	8P8C (RJ45)
IPv4 address assignment	DHCP (automatic), static
Protocols	Telnet, Modbus TCP
Max number of Telnet/Modbus clients	1

WLAN Interface Module

Operating temperature range	-20 ... +60 °C (-4 ... +140 °F)
Storage temperature range	-40 ... +85 °C (-40 ... +185 °F)
Operating humidity range	5 ... 95 %RH
Power consumption at 24V	max 80 mA
Supported standards	802.11b
Connector	RP-SMA
IPv4 address assignment	DHCP (automatic), static
Protocols	Telnet, Modbus TCP
Max number of Telnet/Modbus clients	1
Security	WEP 64/128, WPA2/802.11i

Data Logger Module

Operating temperature range	-40 ... +60 °C (-40 ... +140 °F)
Storage temperature range	-55 ... +80 °C (-67 ... +176 °F)
Power consumption at 24V	max 10 mA
Logged parameters	up to four with trend/min/max values for each
Logging interval	10 s (fixed)
Maximum logging period	4 years 5 months
Logged points	13.7 million points / parameter
Accuracy of the clock	better than ±2 min/year
Battery lifetime	
at -40 ... +30 °C (-40 ... +86 °F)	7 years
at +30 ... +60 °C (+86 ... +140 °F)	5 years

Spare Parts and Accessories



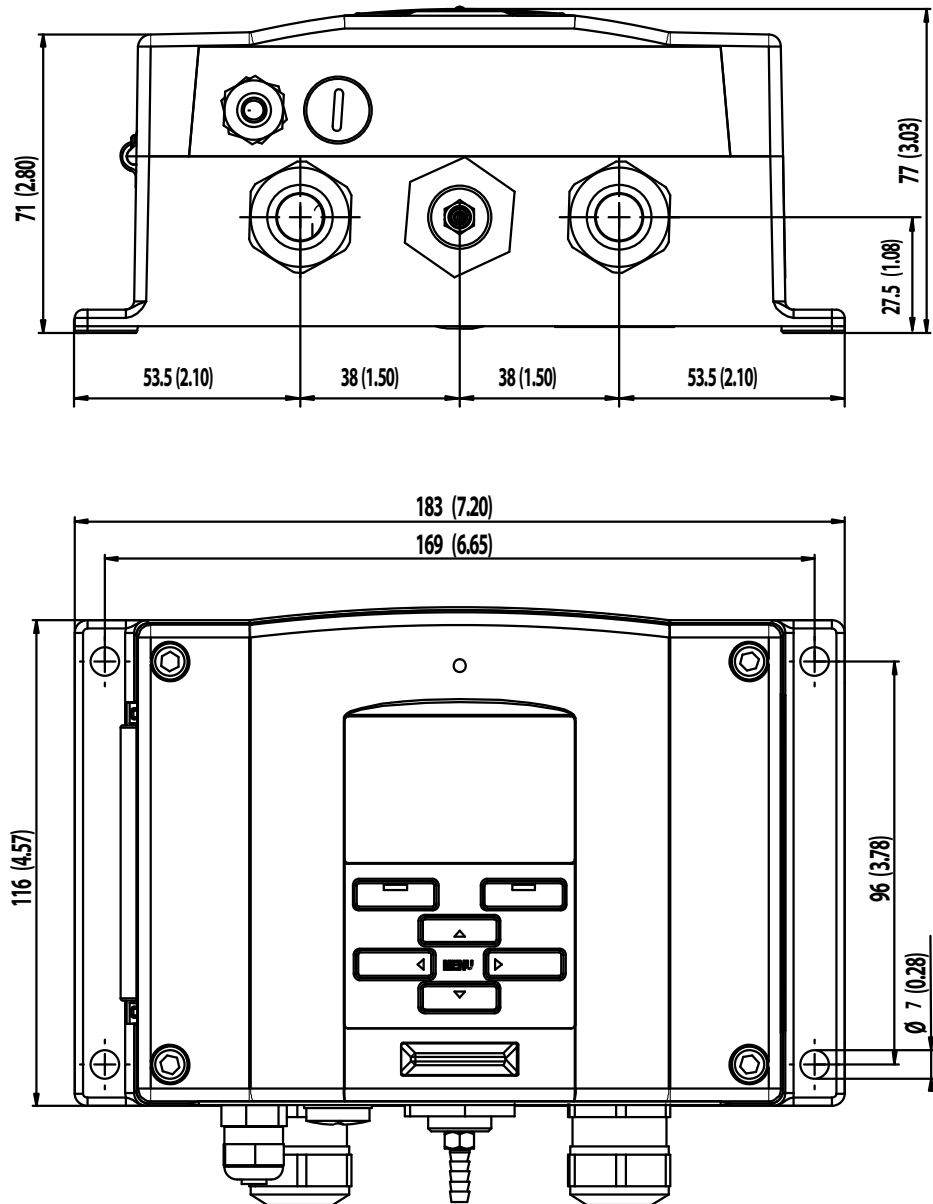
Information on spare parts, accessories, and calibration products is available online at www.vaisala.com and store.vaisala.com.

Table 44 Spare Parts and Accessories

Description	Order Code
MODULES	
Relay module	RELAY-1
Analog Output Module	AOUT-1T
Isolated RS-485 Module	RS485-1
Power Supply Module	POWER-1
Galvanic Isolation Module	DCDC-1
SENSORS	
HUMICAP180	15778HM
HUMICAP180R	HUMICAP180R
HUMICAP180C	229011SP
HUMICAP180RC	HUMICAP180RC
PT100 Sensor	10429SP
FILTERS	
PPS Plastic Grid with Stainless Steel Netting	DRW010281SP
PPS Plastic Grid Filter	DRW010276SP
Sintered Filter AISI 316L	HM47280SP
Stainless Steel Filter	HM47453SP
Stainless Steel Filter with Membrane	214848SP
TRANSMITTER MOUNTING ACCESSORIES	
Wall Mounting Plate (plastic)	214829
Probe Holder Plate	226252
Installation Kit for Pole or Pipeline	215108
Rain Shield with Installation Kit	215109
DIN Rail Installation Kit	211477
DIN Rail Clips with Installation Plate	215094
Panel Mounting Frame	216038
PROBE MOUNTING ACCESSORIES	
Swagelok for 12mm Probe 3/8" ISO Thread	SWG12ISO38
Swagelok for 12mm Probe 1/2" ISO Thread	SWG12ISO12
Swagelok for 12mm Probe 1/2" NPT Thread	SWG12NPT12
Swagelok for 6mm Probe 1/2" ISO Thread	SWG6ISO12
Swagelok for 6mm Probe 1/8" ISO Thread	SWG6ISO18
Swagelok for 6mm Probe 1/8" NPT Thread	SWG6NPT18
Cable Gland and AGRO, for PTU303/307	HMP247CG
Duct Installation Kit for PTU303/307	210697
Duct Installation Kit for Temperature Probe	215003
CONNECTION CABLES	
Serial Interface Cable	19446ZZ
USB-RJ45 Serial Interface Cable	219685
Connection Cable for HM70	211339
HMI41 Connection Cable with RJ45 Connector	25917ZZ

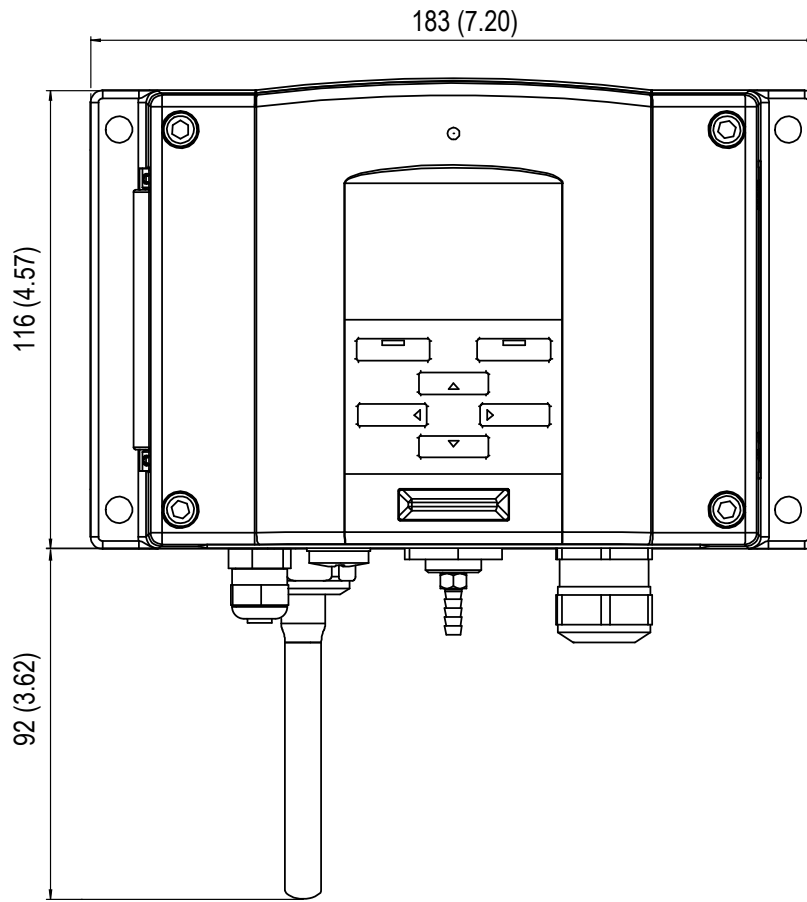
Description	Order Code
OUTPUT CABLES FOR 8-PIN CONNECTOR	
Connection Cable 5 m 8-pin M12 Female, Black	212142
Female Connector 8-pin M12 with Screw Terminals	212416
Male Connector 8-pin M12 with Cable and Adapter	214806SP
CABLE BUSHINGS	
Cable Gland M20x1.5 for 8...11mm Cable	214728SP
Conduit Fitting M20x1.5 for NPT1/2 Conduit	214780SP
Dummy Plug M20x1.5	214672SP
WINDOWS SOFTWARE	
MI70 Link display software and RJ45 to D9 cable	215005
MI70 Link display software and USB cable	219916
OTHER	
HMK15 Calibration Adapter for 12 mm Probes with >7 mm Sensor Pins	211302SP
HMK15 Calibration Adapter for 12 mm Probes with <3 mm Sensor Pins	218377SP
Solar Radiation Shield for PTU303/307/30T	DTR502B
Meteorological Installation Kit	HMT330MIK
Enclosure spare kit: hexagonal cover screws (4x) and hinge with attachment screws	238509

Dimensions (mm/inch)



0601-043

Figure 79 Transmitter Body Dimensions



0804-033

Figure 80 WLAN Antenna Dimensions

PTU301

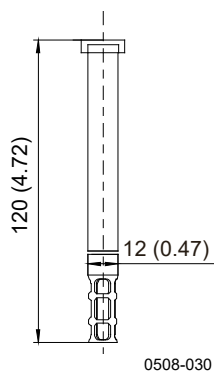
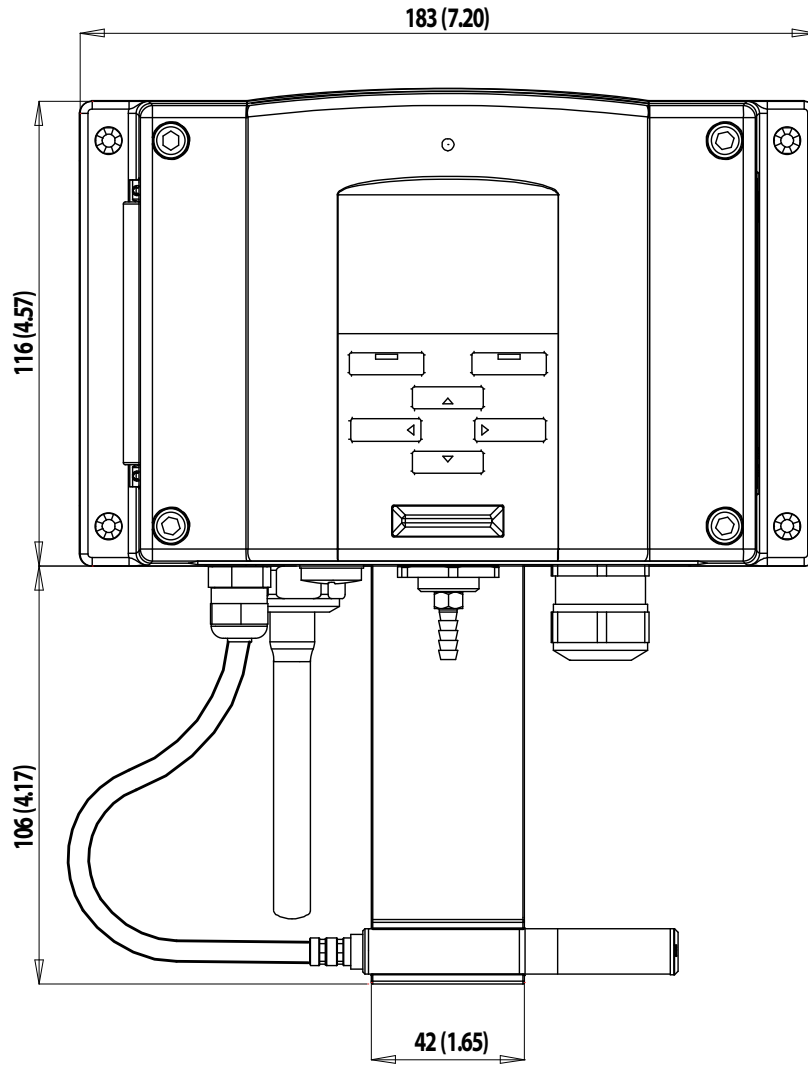


Figure 81 PTU301 Fixed Probe Dimensions



0911-064

Figure 82 PTU301 Short Cable Probe Dimensions

PTU303

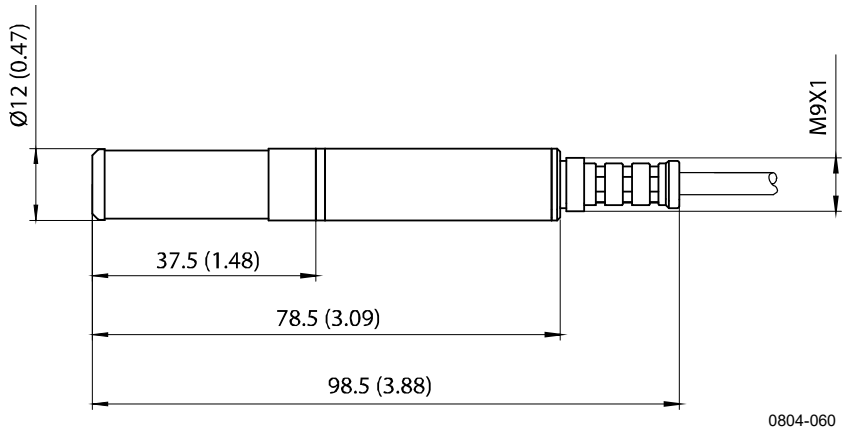


Figure 83 PTU303 Probe Dimensions

PTU307

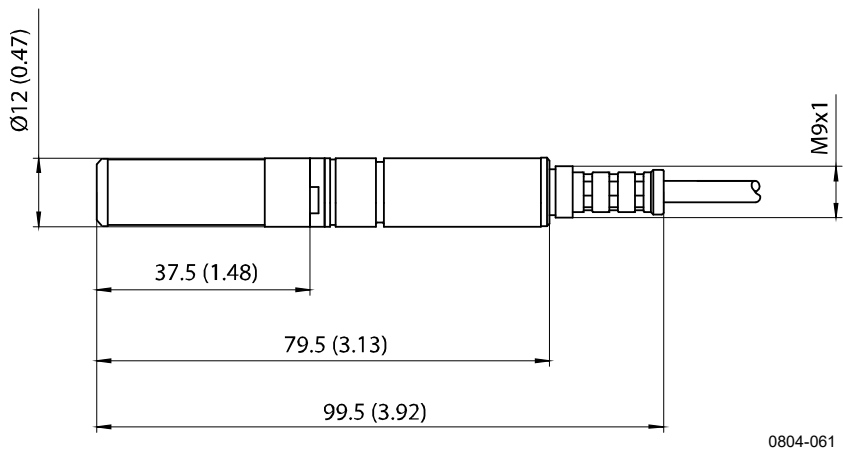


Figure 84 PTU307 Probe Dimensions

Temperature Probe

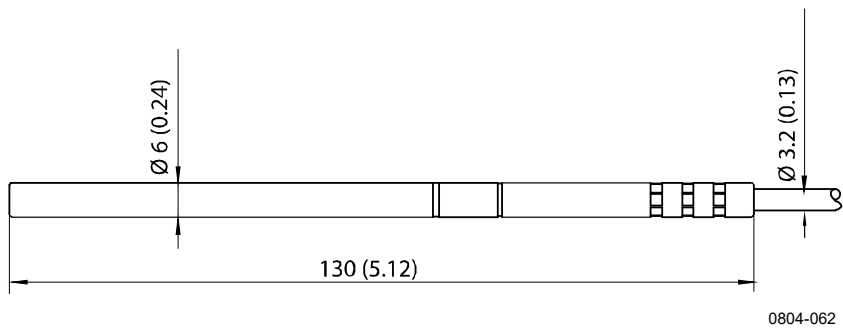


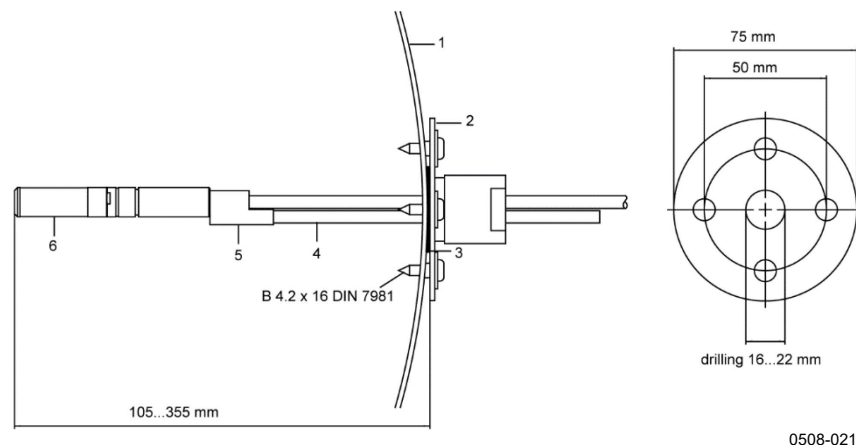
Figure 85 Optional Temperature Probe Dimensions

APPENDIX A

PROBE INSTALLATION KITS AND INSTALLATION EXAMPLES

Duct installation kits (for PTU303/307)

Duct installation kit includes a flange, a sealing ring, a supporting bar and probe attaching part for the probe and screws for attaching the flange to the duct wall. Vaisala order codes: 210697 (for PTU303 and PTU307), and 215003 for temperature probe.



0508-021

Figure 86 Duct Mounting Installation Kit

The following numbers refer to Figure 86 above:

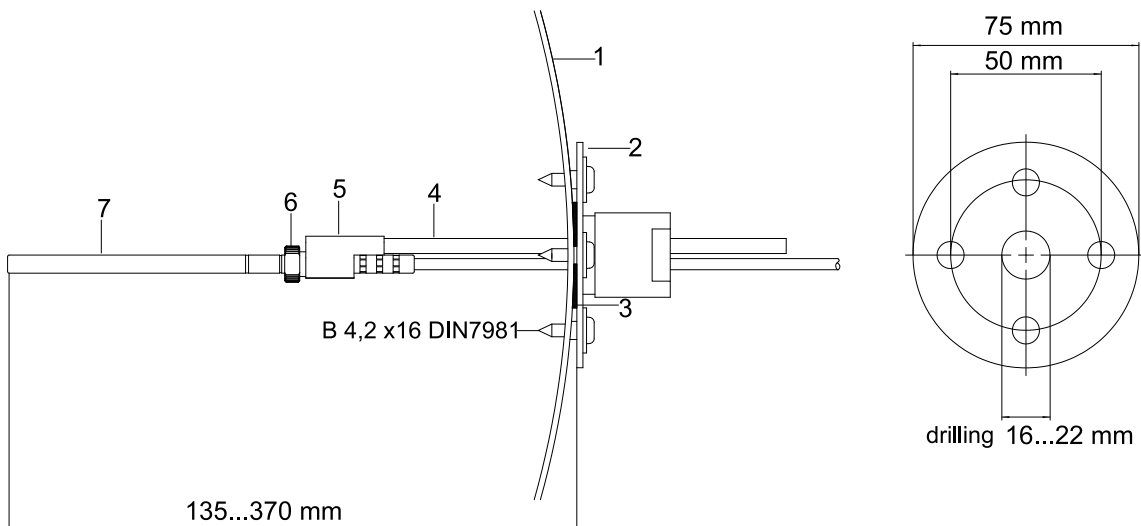
- 1 = Duct wall
- 2 = Flange
- 3 = Sealing ring
- 4 = Supporting bar
- 5 = Probe attaching part (to be fixed with the supporting bar)
- 6 = Relative humidity probe

NOTE

When the temperature difference between the duct and the air outside the duct is remarkable, the supporting bar must be installed as deep in the duct as possible. This prevents errors caused by the heat conduction in the bar and cable.

Duct Installation Kit for Temperature Probe (for PTU307)

Vaisala duct installation kit for the T-probe includes flange, supporting bar, probe attaching part, sealing ring and the fixing screws (4 pcs).
Vaisala order code: 215003.



0507-019

Figure 87 Duct Mounting Installation Kit for T-Probe

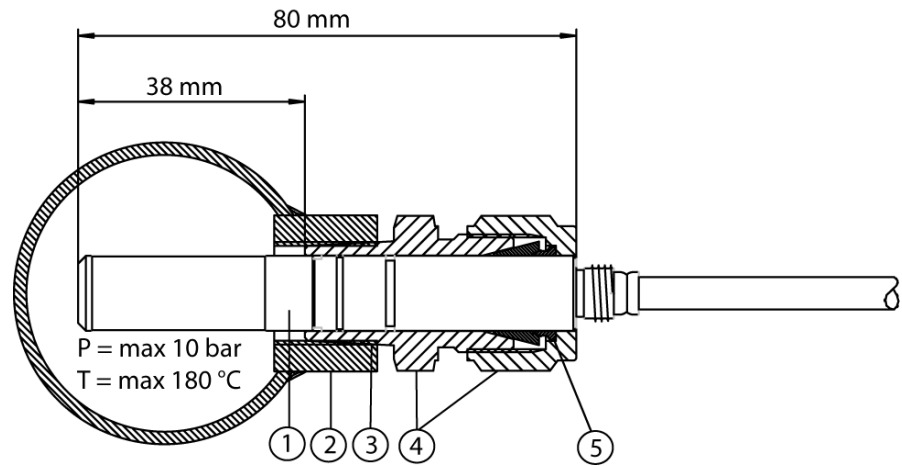
The following numbers refer to Figure 87 above

- 1 = Duct wall
- 2 = Flange
- 3 = Sealing ring
- 4 = Supporting bar
- 5 = Probe support (to be fixed to the supporting bar)
- 6 = Retainer bushing (to be fixed to the probe support)
- 7 = Temperature probe (to be fixed to the retainer bushing)

Pressure Tight Swagelok Installation Kits (For PTU307)

RH Probe Installation

Swagelok installation kit for the relative humidity probe includes Swagelok connector with ISO3/8" or NPT1/2" thread. Vaisala order codes: SWG12ISO38 or SWG12NPT12.



0508-032

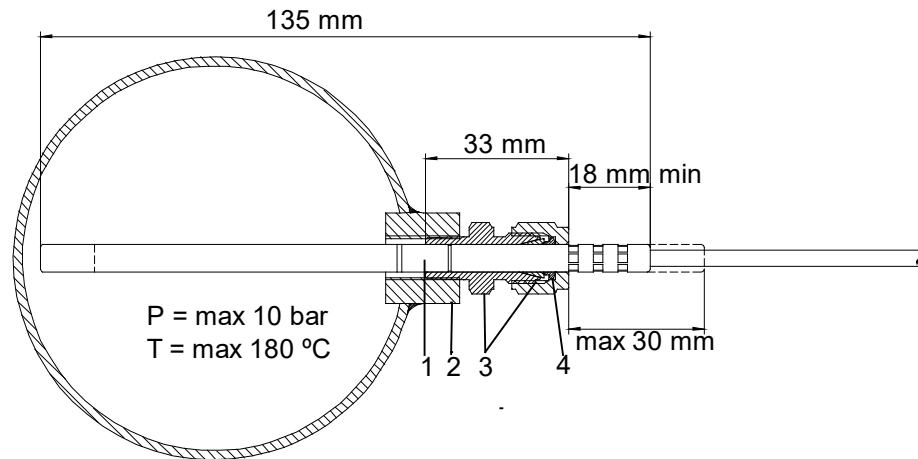
Figure 88 Swagelok Installation Kit for RH-probe

The following numbers refer to Figure 88 above:

- 1 = Relative humidity probe
- 2 = Duct connector
- 3 = ISO3/8" or NPT1/2" thread
- 4 = Swagelok connector
- 5 = Ferrules

Temperature Probe Installation

Swagelok installation kit for T-probe includes Swagelok connector with either ISO1/8" or NPT1/8" thread. Vaisala order codes: SWG6ISO18 or SWG6NPT18.



0508-016

Figure 89 Swagelok Installation Kit for T-Probe

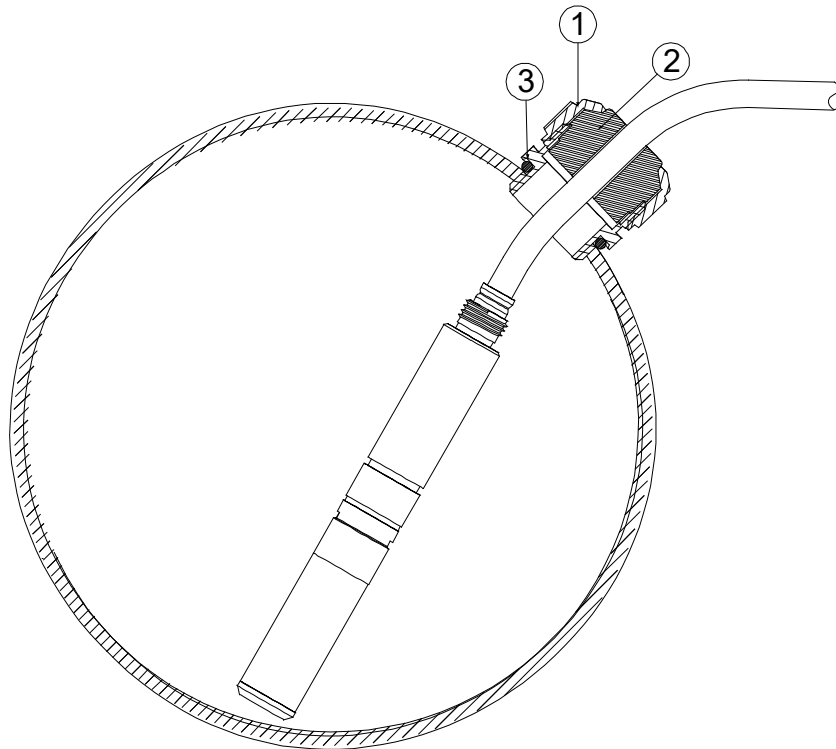
The following numbers refer to Figure 89 above

- 1 = T-probe
- 2 = Duct connector
- 3 = Swagelok connector
- 4 = Ferrules

Examples of Vapor Tight Installations with Cable Gland

RH-Probe Installations (for PTU303/307)

Cable gland AGRO is available from Vaisala (order code: HMP247CG.)

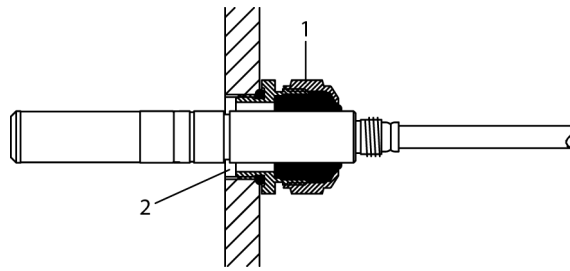


0508-026

Figure 90 Cable Installation with Cable Gland

The following numbers refer to Figure 90 above

- 1 = Nut (to be tightened to the body)
- 2 = Seal
- 3 = Body and O-ring



0508-018

Figure 91 Probe Installation with Cable Gland

Probe installation with a cable gland is not available from Vaisala.

The following numbers refer to Figure 91 above

- 1 = AGRO 1160.20.145 (T= -40 ... +100 °C) Not available from Vaisala.
- 2 = In pressurized places, use a locking ring (example: 11x 1 DIN471).

T- Probe Installations (PTU307)

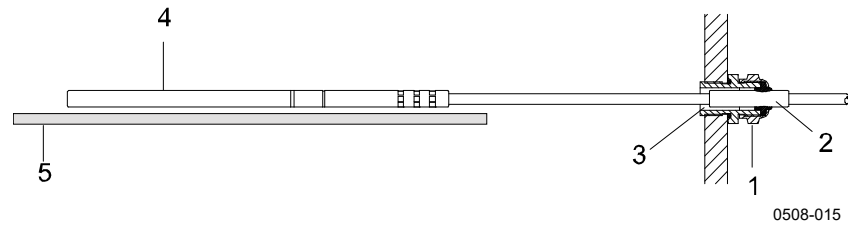


Figure 92 Vapor Tight Installation

Vapor Tight Installation is not available from Vaisala.

The following numbers refer to Figure 92 above:

- 1 = Cable gland. For example AGRO 1100.12.91.065 (T= -25 ... +200 °C)
- 2 = In pressurized processes, use a locking ring (example: 6x 0.7 DIN471)

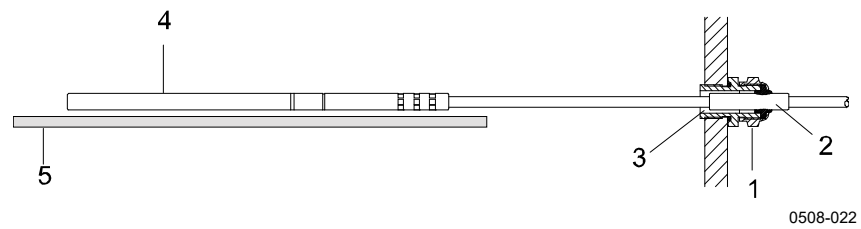


Figure 93 Wall Mounting Installation

Wall Mounting Installation is not available from Vaisala.

The following numbers refer to Figure 93 above:

- 1 = Cable gland. For example AGRO 1100.12.91.065
- 2 = Compacted PTFE sleeve
- 3 = Silicon glue between the PTFE sleeve and the cable
- 4 = Temperature probe
- 5 = Recommended support to keep the probe in horizontal position

Meteorological Installation Kit (for PTU307)

The Vaisala Meteorological Installation Kit HMT330MIK with a static pressure head enables the PTU307 to be installed outdoors to obtain reliable measurements for meteorological purposes. For more information, see HMT330MIK brochure and order form.

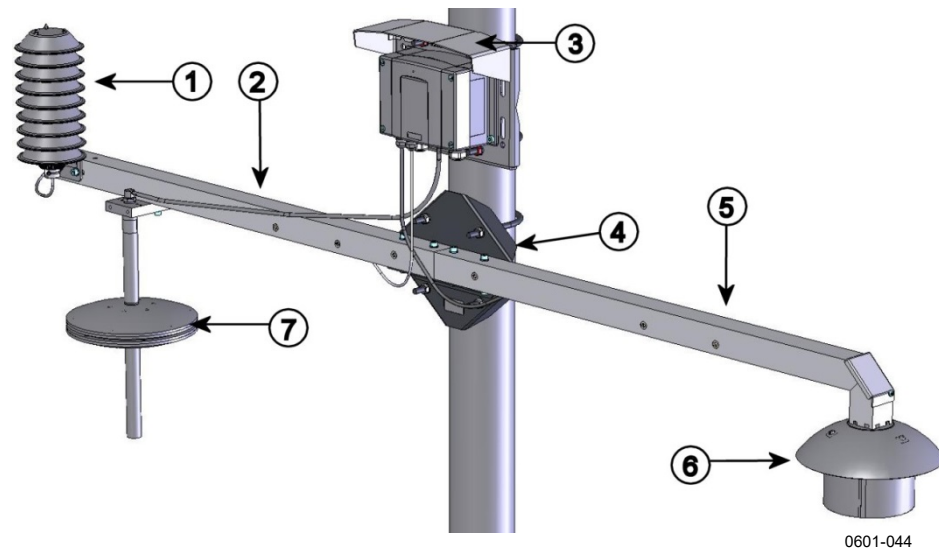


Figure 94 Meteorological Installation Kit for Outdoor Installation

The following numbers refer to Figure 94 above:

- 1 = Radiation shield for the additional T-probe or humidity probe
- 2 = T support bar
- 3 = Transmitter mounting plate
- 4 = Pole mounting plate for support bars
- 5 = Td support bar
- 6 = Radiation shield for the warmed humidity probe
- 7 = Static pressure head

APPENDIX B

CALCULATION FORMULAS

This Appendix contains the formulas used for the calculated output quantities.

The PTU300 series transmitters measure relative humidity and temperature. From these values dew point, mixing ratio, absolute humidity and enthalpy in normal pressure are calculated using the following equations:

Dew point:

$$T_d = \frac{T_n}{\frac{m}{\log\left(\frac{P_w}{A}\right)} - 1} \quad (1)$$

P_w is the water vapor pressure. The parameters A , m , and T_n depend on temperature according to the following table:

t	A	m	T _n
<0 °C ¹⁾	6.1134	9.7911	273.47
0 ... 50 °C	6.1078	7.5000	237.3
50 ... 100 °C	5.9987	7.3313	229.1
100 ... 150 °C	5.8493	7.2756	225.0
150 ... 180 °C	6.2301	7.3033	230.0

1) Used for frost point calculation if the dew point is negative

Mixing ratio:

$$x = 621.99 \times \frac{P_w}{p - P_w} \quad (2)$$

Absolute humidity:

$$a = 216.68 \cdot \frac{P_w}{T} \quad (3)$$

Enthalpy:

$$h = (T - 273.15) \cdot (1.01 + 0.00189 \cdot x) + 2.5 \cdot x \quad (4)$$

The water vapor saturation pressure P_{ws} is calculated by using two equations (5 and 6):

$$\Theta = T - \sum_{i=0}^3 C_i T^i \quad (5)$$

where:

T = temperature in K

C_i = coefficients

C_0 = 0.4931358

C_1 = $-0.46094296 \cdot 10^{-2}$

C_2 = $0.13746454 \cdot 10^{-4}$

C_3 = $-0.12743214 \cdot 10^{-7}$

$$\ln P_{ws} = \sum_{i=-1}^3 b_i \Theta^i + b_4 \ln \Theta \quad (6)$$

where:

$$\begin{aligned} b_i &= \text{coefficients} \\ b_{-1} &= -0.58002206 * 10^4 \\ b_0 &= 0.13914993 * 10^1 \\ b_1 &= -0.48640239 * 10^{-1} \\ b_2 &= 0.41764768 * 10^{-4} \\ b_3 &= -0.14452093 * 10^{-7} \\ b_4 &= 6.5459673 \end{aligned}$$

The water vapor pressure is calculated using:

$$P_w = RH \cdot \frac{P_{ws}}{100} \quad (7)$$

Parts per million by volume is calculated using:

$$ppm_v = 10^6 \cdot \frac{P_w}{(p - P_w)} \quad (8)$$

Symbols:

$$\begin{aligned} T_d &= \text{Dew point temperature (}^\circ\text{C)} \\ P_w &= \text{water vapor pressure (hPa)} \\ P_{ws} &= \text{water vapor saturation pressure (Pa)} \\ RH &= \text{relative humidity (\%)} \\ x &= \text{mixing ratio (g/kg)} \\ p &= \text{atmospheric pressure (hPa)} \\ A &= \text{absolute humidity (g/m}^3\text{)} \\ T &= \text{temperature (K)} \\ h &= \text{enthalpy (kJ/kg)} \end{aligned}$$

Height compensated pressure values (QFE, QNH, and HCP) are calculated using the following equations:

$$QFE = p \cdot \left(1 + \frac{h_{QFE} \cdot g}{R \cdot T} \right) \quad (9)$$

where:

- p = measured air pressure
- h_{QFE} = height difference between the barometer and the reference level (m)
- g = 9.81 (m/s²)
- R = 287 (J/kg/K)
- T = temperature (K)

$$QNH = QFE \cdot e^{\frac{h_{QNH} \cdot g}{R \cdot \left(T_0 + \frac{\alpha \cdot h_{QNH}}{2} \right)}} \quad (10)$$

where:

- h_{QNH} = station elevation (m)
- g = 9.81 (m/s²)
- R = 287 (J/kg/K)
- T_0 = 288.15 (K)
- α = -0.0065 (K/m)

$$HCP = p - 0.1176 \cdot h_{HCP} \quad (11)$$

where:

- p = measured air pressure
- H_{HCP} = height difference between the barometer and the reference level (m)

APPENDIX C

MODBUS REFERENCE

This appendix describes the Modbus functions and data of the transmitter.

Function Codes

PTU300 supports all Modbus conformance class 0 and class 1 function codes defined in Open Modbus/TCP Specification, Release 1.0.

Table 45 Supported Function Codes

Function Code	Name	Notes
01 (0x01)	Read Coils	Class 1
02 (0x02)	Read Discrete Inputs	Class 1
03 (0x03)	Read Holding Registers	Class 0
04 (0x04)	Read Input Registers	Class 1
05 (0x05)	Write Single Coil	Class 1
06 (0x06)	Write Single Register	Class 1
07 (0x07)	Read Exception Status	Class 1
08 (0x08)	Diagnostics	
15 (0x0F)	Write Multiple Coils	Class 2
16 (0x10)	Write Multiple Registers	Class 0
22 (0x16)	Mask Write Register	Class 2
23 (0x17)	Read/Write Multiple Registers	Class 2
43 / 14 (0x2B / 0x0E)	Read Device Identification	

Class 0 function codes are enough to access all measurement data and configuration settings of the PTU300 transmitter. In addition, all class 1 and some class 2 commands are also supported giving better compatibility and allowing more efficient communication when needed.

Modbus diagnostic and device identification data can be read out only with the function codes dedicated for those purposes (08 and 43 / 14).

Register Map

All data available via the Modbus interface is grouped in six contiguous blocks of registers as described in Table 46 below.

Table 46 PTU300 Modbus Register Blocks

Address	Data Format	Description
0001...0068	32-bit IEEE float	Measurement data (read-only)
0257...0290	16-bit signed integer	
0513...0517	Bit field	Status registers (read-only)
0769...0790	32-bit IEEE float	Configuration settings
1025...1035	16-bit signed integer	
1281...1288	Bit field	Configuration flags

The addresses are 1-based decimal Modbus data model addresses without the first digit (e.g. 0xxxx, 1xxxx, 3xxxx, or 4xxxx). Subtract 1 to get address field values used in Modbus Protocol Data Unit (PDU).

The register map is the same for all Modbus function codes. For example, function codes 03 and 04 return exactly same result, as do 01 and 02.

Function codes 01 and 02 return 0 if the corresponding register has value 0x0000 and 1 if the register is non-zero. Writing with function codes 05 or 15 effectively writes value 0x0000 or 0x0001 in the register(s).

Data Encoding

All numeric values are available both in 32-bit IEEE floating point and 16-bit signed integer formats.

32-Bit Floating Point Format

Floating point values are represented in standard IEEE 32-bit floating point format. Least-significant 16 bits of floating point numbers are placed at the smaller Modbus address as specified in Open Modbus TCP Specification, Release 1.0. This is also known as “little-endian” or “Modicon” word order.

NOTE

Despite the specification, some Modbus masters may expect “big-endian” word order (most-significant word first). In such case, you must select “word-swapped” floating point format in your Modbus master for PTU300 Modbus registers.

A “quiet NaN” value is returned for unavailable values. Writing any NaN or infinite value is silently ignored. A quiet NaN is, for example, 0x7FC00000; however, the master should understand any NaN value.

NOTE

A complete 32-bit floating point value should be read and written in a single Modbus transaction (e.g. function codes 05, 06, and 22 do not have an effect on floating point values).

16-Bit Integer Format

16-bit integer values are scaled to include the necessary decimals (see corresponding register table for the scaling factor). Negative values (when applicable) are represented in 2's complement (65535 = -1, 65534 = -2, etc.).

NOTE

Measurement parameters with normally positive values (for example, 0 ... 100 %RH) may occasionally return small negative values because of measurement inaccuracy. These negative values are returned as large 16-bit integer values (2's complement).

If the scaled value does not fit in the range 0...65535 (16-bit range), the value is "wrapped" to the range by adding or subtracting 65536 as many times as needed. For example, barometric pressure values are usually around 1013.25 hPa, which is displayed in 16-bit format as 35789 (same as -29747). You will need to add suitable offset to the 16-bit data in the Modbus master to get valid value out:

$$35789 + 65536 = 101325$$

However, most of the measurement data values do not need any offset.

A zero 16-bit value is returned for unavailable values. There is no way to distinguish missing values from actual zero values if the zero value is included in the valid measurement range of the parameter.

NOTE

If your Modbus master supports 32-bit floating point values, always use them instead of 16-bit integer registers.

The use of 16-bit integer values is not recommended in critical applications because you cannot distinguish true zero values from zero values generated by measurement failures.

In addition to this, 2's complement makes negative values look like large positive values, which must be taken into account when utilizing the 16-bit register values.

When writing 16-bit values in configuration registers, they are always processed as signed integers in the range of -32768...+32767. You shall use the floating point registers to write values outside this 16-bit signed

integer range. Maximum writable value is 32767 also for configuration registers that do not accept negative values.

Measurement Data (Read-Only)

Table 47 Measurement Data Registers

Name	Float	Integer	Unit
RH	0001...0002	0257 (×0.01)	%
T	0003...0004	0258 (×0.01)	°C
T _a	0005...0005	0259 (×0.01)	°C
T _d	0007...0008	0260 (×0.01)	°C
T _{d/f}	0009...0010	0261 (×0.01)	°C
a	0015...0016	0264 (×0.01)	g/m ³
x	0017...0018	0265 (×0.01)	g/kg
T _w	0019...0020	0266 (×0.01)	°C
H ₂ O	0021...0022	0267 (×1)	ppmv
p _w	0023...0024	0268 (×0.1)	hPa
p _{ws}	0025...0026	0269 (×0.1)	hPa
H	0027...0028	0270 (×0.01)	kJ/kg
ΔT	0031...0032	0272 (×0.01)	°C
P	0043...0044	0278 (×0.01)	hPa
QNH	0045...0046	0279 (×0.01)	hPa
QFE	0047...0048	0280 (×0.01)	hPa
HCP	0049...0050	0281 (×0.01)	hPa
P _{3h}	0051...0052	0282 (×0.01)	hPa
P ₁	0053...0054	0283 (×0.01)	hPa
P ₂	0055...0056	0284 (×0.01)	hPa
H ₂ O	0065...0066	0289 (×1)	ppmw
P _{3h} WMO tendency code	0067...0068	0290 (×1)	

Available measurements depend on the instrument configuration. Values may be unavailable also in case of device failure. Read status registers or exception status outputs to check for failures.

NOTE

Only real-time data can be read from the instrument. Data that is recorded in the transmitter's memory (internal memory or data logger module) cannot be read through Modbus.

Status Registers (Read-Only)

Table 48 Status Registers

Name	Address	Description
Fault status	0513	1 = No errors
Online status	0514	1 = Online data available
Pressure stability	0515	1 = OK
Error code (bits 15...0)	0516	Bit field that represents the error codes listed in Table 37 on page 162. Active errors are set to 1. For example, if bit 14 is set to 1, error code E14 is active.
Error code (bits 31...16)	0517	

Error information can be retrieved also with function code 08, sub-function 02.

NOTE

Basic status information of the PTU300 transmitter is also available with the Read Exception Status function code 07. For details, see section Exception Status Outputs on page 216.

Configuration Registers

Configuration parameter registers are used to configure the measurement. Writing out-of-range values is silently ignored.

Table 49 Configuration Parameter Registers

Name	Float	Integer	Valid Range
Pressure setting default value	0769...0770	1025 (×1)	0...9999 hPa
Pressure setting temporary value	0771...0772	1026 (×1)	0...9999 hPa
Chemical purge interval	0773...0774	1027 (×1)	10...2880 min
Molecular weight for ppm _w calculation	0775...0776	1028 (×0.001)	0...999.999 g/mol
QNH height	0781...0782	1031 (×0.1)	-100 ... +9999 m
QFE height	0783...0784	1032 (×0.1)	±100 m
HCP height	0785...0786	1033 (×0.1)	±30 m
Maximum pressure change	0787...0788	1034 (×0.01)	0...10 hPa
Maximum pressure difference	0789...0790	1035 (×0.01)	0...10 hPa

If you modify the pressure setting repeatedly, modify the temporary value at register 0771...0772 (1026) instead of the permanent setting at register 0769...0770 (1025). Set the temporary value to zero to return to the default pressure setting.

Non-metric units are not available on Modbus. If they are needed, calculate the conversion outside the transmitter.

Configuration flags are used to select some basic options of the instrument and to manually start the sensor operations.

Table 50 Configuration Flag Registers

Name	Address	Description
Standard filtering on/off	1281	1 = Filtering on
Extended filtering on/off	1282	1 = Extended filtering on
Automatic chemical purge on/off	1283	1 = Automatic purge on. See configuration register 0773...0774 (1027).
Start-up chemical purge on/off	1284	1 = Start-up purge on
Chemical purge in progress	1285	1 = Purge in progress (write 1 for manual start)
Sensor heating on/off	1287	1 = Sensor heating on (optional feature)
Pressure compensation	1288	0 = Measured, 1 = Fixed

Flags 1281 and 1282 are mutually exclusive.

The pressure compensation value is set with configuration registers 0769...0770 (1025) or 0771...0772 (1026).

Some of the configuration registers might not have an effect depending on the instrument model and configuration.

Other configuration settings are not usually needed and are not available using the Modbus interface. The service cable must be used to change other configuration settings if needed.

Exception Status Outputs

Exception status outputs (read with function code 07) tell the summary of the PTU300 transmitter status as described in Table 51 below.

Table 51 PTU300 Exception Status Outputs

Output	Name	Description
0 (0x01)	Fault status	1 = No errors
1 (0x02)	Online status	1 = Online data available
2 (0x04)	Pressure stability	1 = OK

Status information is available also with register access; see section Status Registers (Read-Only) on page 215.

Diagnostic Sub-Functions

PTU300 supports some of the Modbus diagnostic functions described in the Modbus Application Protocol Specification V1.1b. These diagnostic functions are accessed with function code 08. See Table 52 below for details.

Table 52 PTU300 Modbus Diagnostics

Code	Sub-Function Name	Notes
00 (0x00)	Return Query Data	
01 (0x01)	Restart Communications Option	Cancels the “Listen Only” mode. Data field must be set to “00 00” for Restart Communications Option. Sub-Function 01 with data field “FF 00” is rejected.
02 (0x02)	Return Diagnostic Register	Non-zero if there are active transmitter errors. For same error information, see status registers 0516 and 0517. The value of the Diagnostic Register is a logical OR of these two status registers.
04 (0x04)	Force Listen Only Mode	Puts device “off-line”
10 (0x0A)	Clear Counters and Diagnostic Register	Diagnostic Register cannot be cleared
11 (0x0B)	Return Bus Message Count	Total number of messages seen on the bus/interface
12 (0x0C)	Return Bus Communication Error Count	Number of messages with bad Modbus RTU CRC or Modbus TCP frame
13 (0x0D)	Return Bus Exception Error Count	Number of Modbus exception responses sent
14 (0x0E)	Return Slave Message Count	Number of Modbus messages processed
15 (0x0F)	Return Slave No Response Count	Number of Modbus messages received without sending a response. This happens for received broadcast messages (Modbus RTU only) or when PTU300 is in the “Listen Only” mode.

Although Modbus Diagnostics are standardized only for serial line devices, PTU300 supports the same diagnostic functions also on Modbus TCP.

NOTE

Resetting, powering up the transmitter, or reselecting the Modbus mode (by serial command or with the user interface) resets all Modbus diagnostic counters and cancels any “Listen Only” mode.

Device Identification Objects

PTU300 Modbus conforms to the extended identification level defined in the Modbus Application Protocol Specification V1.1b. Both stream access and individual access to the objects is supported.

Table 53 PTU300 Modbus Device Identification

Object Id	Object Name	Description
0x00	VendorName	"Vaisala"
0x01	ProductCode	Product code (e.g. "PTU300")
0x02	MajorMinorVersion	Software version (e.g. "5.10")
0x03	VendorUrl	"http://www.vaisala.com/"
0x04	ProductName	Product name of the instrument
0x80	SerialNumber	Serial number (e.g. "D0920002")
0x81	CalibrationDate	Date of the last calibration (e.g. "2011-02-07", empty if not available)
0x82	CalibrationText	Information text of the last calibration (empty if not available)

Exception Responses

Exception responses from the transmitter are according to the Modbus Application Protocol Specification V1.1b.

Table 54 PTU300 Modbus Exception Responses

Code	Name	Reason
01	ILLEGAL FUNCTION	Unsupported function code
02	ILLEGAL DATA ADDRESS	Address out of valid ranges
03	ILLEGAL DATA VALUE	Otherwise invalid request

Accessing unavailable (unsupported or temporarily missing) registers inside ranges specified in Table 47 does not generate an exception. "Unavailable" value (a quiet NaN for floating point data or 0x8000 for integer data) is returned instead. An exception is generated only for any access outside the register blocks defined in section Register Map on page 212.

www.vaisala.com

