



# MODEL - 26880

## RACK MOUNTING PANEL (FOR 26800 TRANSLATOR)

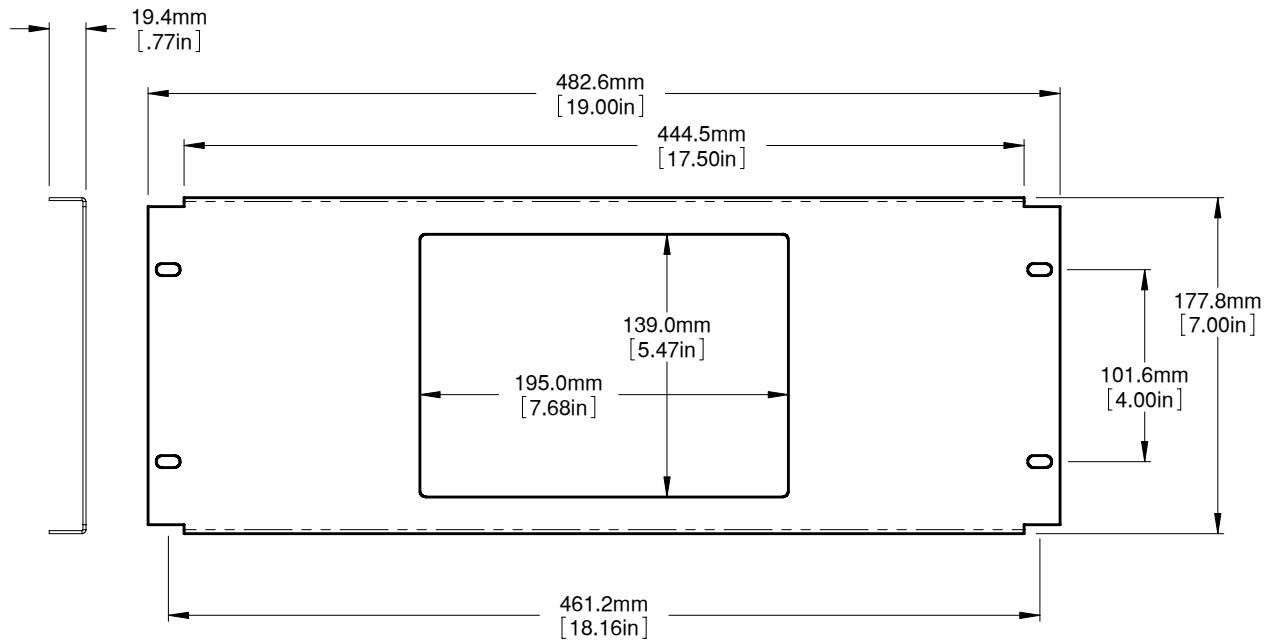
DWG: S26880(A)

REV: A

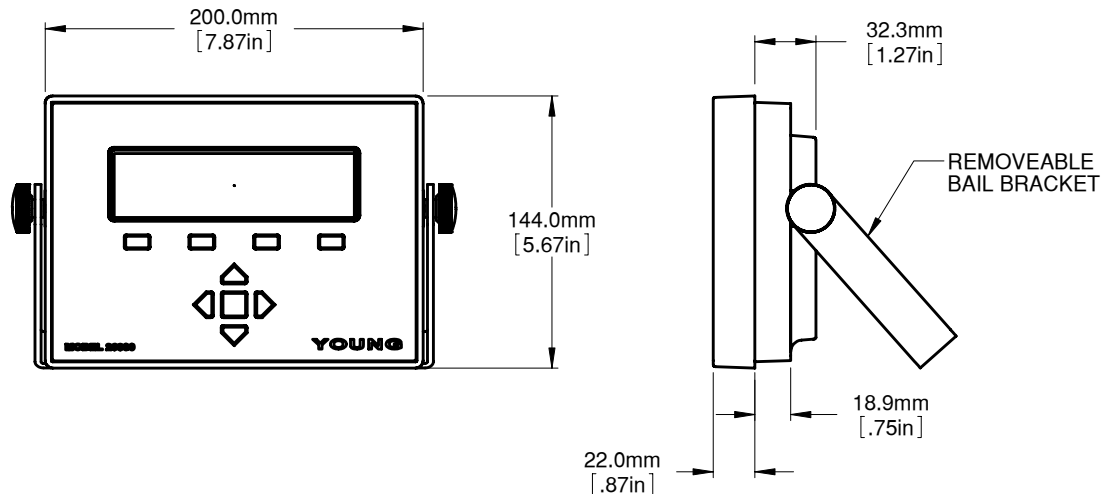
DRW: JMT

CHK:

DATE: 09/30/08



### 26800 METEOROLOGICAL TRANSLATOR



#### INSTALLING 26800 IN PANEL:

1. REMOVE BAIL BRACKET, KNOBS AND BRACKET CLIPS FROM BACK OF HOUSING.
2. INVERT BRACKET CLIP AND RE-ATTACH TO CASE BACK TO CLAMP UNIT TO RACK PANEL.
3. RETAIN BAIL BRACKET, KNOBS AND WASHERS FOR FUTURE USE AS SELF STANDING UNIT.