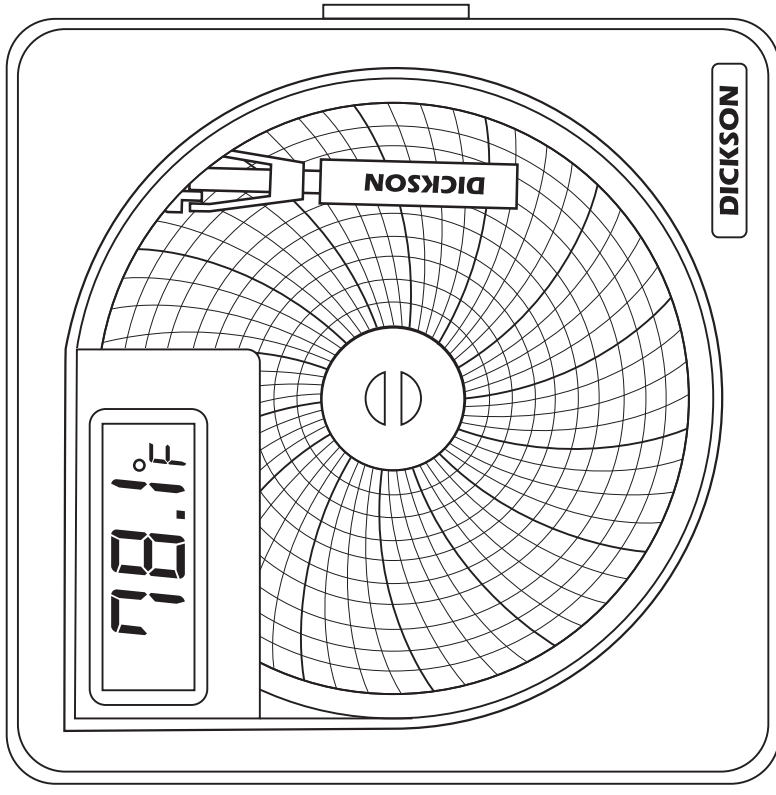


# USER MANUAL & PRODUCT GUIDE



**Need additional support?**  
Web: [DicksonData.com](http://DicksonData.com)  
Telephone: 630.543.3747  
Email: [support@dicksondata.com](mailto:support@dicksondata.com)  
930 S. Westwood Avenue  
Addison, IL 60101

**SL4**  
4" TEMPERATURE CHART RECORDER

## GETTING STARTED

### IMPORTANT

Dickson Chart Recorder accuracy specifications are only valid with the use of authentic Dickson brand charts and pens. The specifications for chart printing, die cutting and paper absorption rates, and the complementary bleed rate specifications of pens are critical factors in determining system accuracy.

### TO BEGIN OPERATION

This recorder comes with 1 AA battery installed.

1. Set chart rotation: the switch is located in the battery compartment. Unscrew the battery door. Make sure the switch is set to the correct chart rotation speed.
2. Replace the chart paper
3. Set time by inserting a coin into the chart hub and turning it clockwise until the current hour is referenced to the time indicator (time indicator is directly to the right and below the pen tip).
4. Remove protective pen cap

### BATTERY REPLACEMENT

- The battery compartment is located on the back of the unit
- The recorder uses a standard AA battery for up to two years of battery life
- Insert new battery with positive end up

### CHART NOT ROTATING

- Make sure the chart paper is not ripped in the center around the Chart Hub
- Make sure the chart is not hung up or restricted
- Make sure there is a good battery being used and it is installed correctly

### PEN DOES NOT MATCH DISPLAY

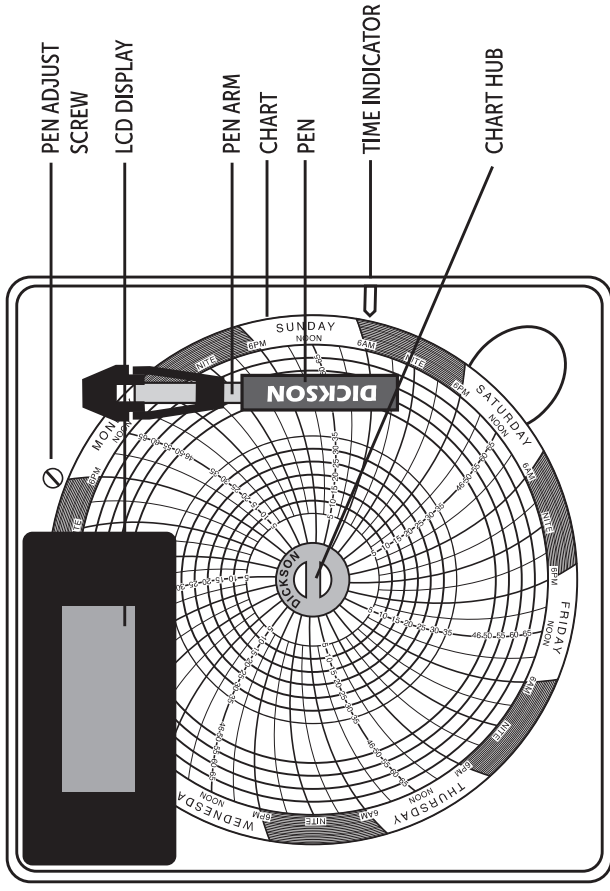
- The chart recorder and digital display are two independent measuring instruments, with different specifications. There is a certain amount of discrepancy allowed between chart and display, depending on the range of the chart recorder. An SL4100, for example, has a scale of 0 to +100 degrees (a range of 100 degrees). That means a 2 degree tolerance for the chart. The digital display has a tolerance of 3.6 degrees, which means there is a maximum allowed discrepancy of 5.6 degrees between the chart and display. The chart may be adjusted using the pen adjust screw on the face of the unit. If the display is out of specification, the display can be replaced but not calibrated.

### FACTORY SERVICE & RETURNS

Contact Customer Service at 630.543.3747 for a Return Authorization Number (RA) before returning any instrument. Please have the model and serial numbers and PO ready before calling.

*Note: Dickson shall not be liable for consequential or incidental damages resulting from failure or malfunction of its products.*

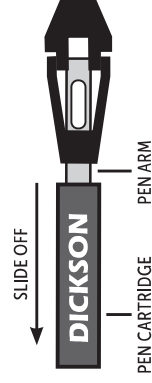
## CHART REPLACEMENT



1. Flip pen arm up and away from chart. Slip your finger under the chart and lift the chart off the chart hub
2. Put one new chart on the recorder
3. Make sure the center of the chart, between chart hub, is not torn
4. Set the time by inserting a coin in chart hub and turning clockwise until the current hour is referenced by the time indicator
5. Flip pen arm down

## PEN REPLACEMENT

### TOP SIDE OF PEN



1. Flip pen arm up
2. Slide used pen cartridge off pen arm
3. Slide new pen cartridge on pen arm
4. Make sure end of pen arm comes into contact with pen tip
5. Remove pen cap
6. Flip pen arm down

### BOTTOM SIDE OF PEN

