

TC220 Series

Temperature Sensor, Top Exit, °C Output



VIBRATION ANALYSIS HARDWARE



Product Features

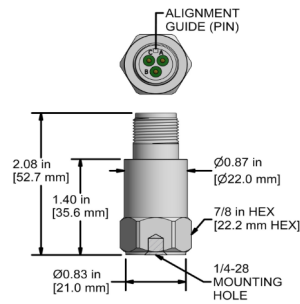
Temperature Output 10 mV/°C

Three Pin MIL Connector

- ▶ Low Cost Temperature Only Sensor
- ▶ Temperature Range: -40 to 250 °F (-40 to 121 °C)
- ▶ For Permanent Installation

TC220-1A 3 Pin Connector

Connector Pin	Polarity
A	(+) Power
B	(-) Common
C	(+) Temperature



Built To Order

Specifications	Standard	Metric	Specifications	Standard	Metric
Part Number	TC220	M/ or M8/TC220	Environmental		
Sensitivity (±10%)	10 mV/ °C		Operating Temperature Range	-40 to 250 °F	-40 to 121 °C
Temperature Measurement Range	-40 to 250 °F	-40 to 121 °C	Maximum Shock Protection	5,000 g, peak	
Temperature Output	10 mV/ °C		Electromagnetic Sensitivity	CE	
Temperature Sensor	750 mV = 25 °C (±1)		Sealing	Welded, Hermetic	
Electrical			Physical		
Voltage Source (IEPE)	4-10 VDC		Weight	2.3 oz	65 grams
Case Isolation	>10 ⁸ ohm		Case Material	316L Stainless Steel	
			Mounting Thread	1/4-28 Blind Tapped Hole	
			Connector (Non-Integral)	3 Pin MIL- C-5015	
			Mounting Torque	2 to 5 ft. lbs	2,7 to 6,8 Nm
				1/4-28 Stud	M6x1 or M8x1.25 Adapter Stud

Backed by our Unconditional Lifetime Warranty
www.ctconline.com | sales@ctconline.com | 585-924-5900

Mounting Hardware Supplied