

# UNIBLITZ

## AI25 and AIC10

1.5 - 25.0 mm Auto Iris and Iris Controller



[www.uniblitz.com](http://www.uniblitz.com)

# Uniblitz® AI25 and AIC10

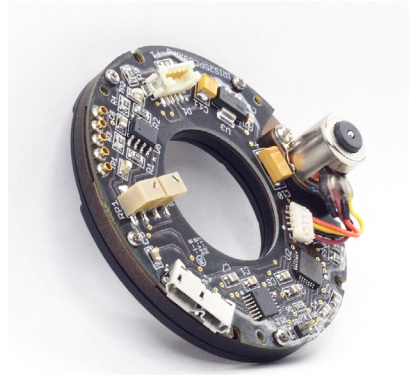
1.5 - 25.0 mm Auto Iris and Iris Controller

## Overview

The Uniblitz AI25 is a motorized/auto iris diaphragm that allows for the remote control of a variable 25mm aperture.

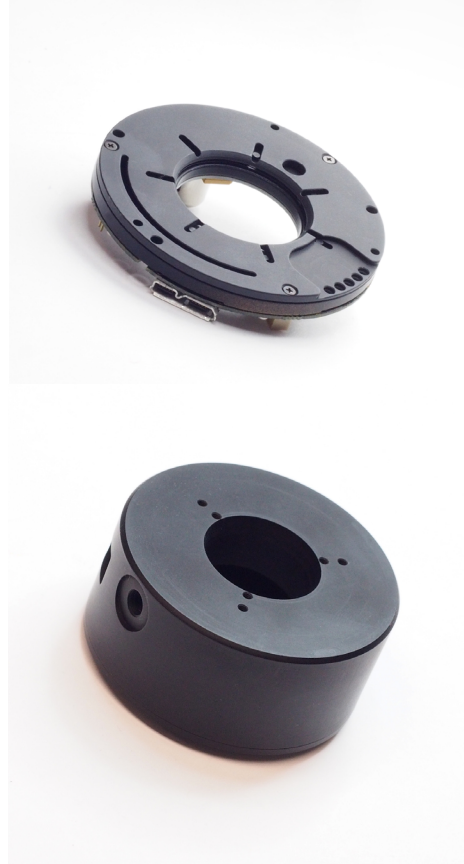
This electronically-controlled aperture is ideal for remote light attenuation or depth-of-field control. The iris's aperture closes down to 1.5mm, and the optional shutter attachment allows users to fully close the aperture.

The AIC10 Iris Controller features an intuitive button array and digital user interface, allowing it to operate the iris via a modified serial command protocol (which can be provided to manufacturers looking to use the AI25 in OEM applications). When



equipped, the AIC10 will also operate the shutter attachment independently from the iris. The shutter's electronic sync allows the AIC10 to indicate the shutter's state.

*Shown right: AI25 w/o shutter attachment (top); AI25 w/ housing (bottom)*



## AI25 Features

- **Operation Range:**  
1.5 - 25.0 mm
- **Closing speed:**  
0.22 seconds
- Low-profile form-factor
- Optional high speed shutter attachment
- **RoHS Compliant**

## AIC10 Features

- Intuitive digital user interface
- Optional shutter control (Iris requires shutter attachment)
- RS232 or TTL level signal control
- **RoHS Compliant**

# AI25 Technical Specifications

<b>Weight (Un-housed)</b>	1.31 oz (37.20 g)
<b>Weight (W/ Shutter)</b>	2.00 oz (56.80 g)
<b>Weight (Housed W/ Shutter)</b>	5.82 oz (164.90 g)
<b>Operating Temp. (°C)</b>	-10 - +65
<b>Number of Iris Blades</b>	7

<b>Number of Steps<sup>1</sup></b>	54
<b>Resolution (mm/step)</b>	0.44 ± 0.33
<b>Operation Range (mm)</b>	1.5 - 25.0
<b>Closing speed (min to max)</b>	0.22 seconds

<sup>1</sup> A step is equal to a single movement of the iris blades/aperture (while in the "Fine" resolution mode).

AI25 **2** **3** **4**

Ex: AI25S6T

**1** Iris Series:

- **AI25**

**2** Shutter Attachment:

- **N:** Omitted
- **S:** Included

**3** Housing:

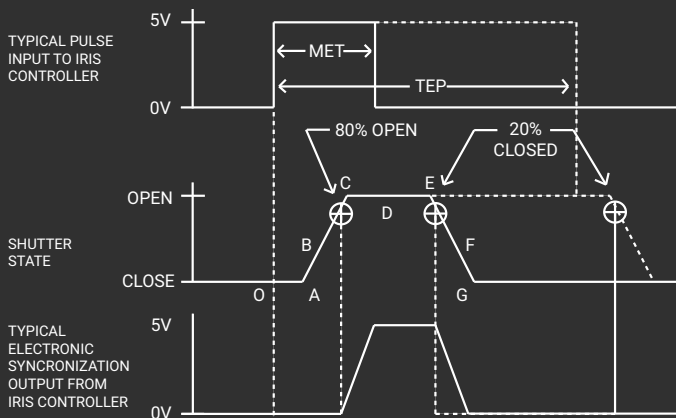
- **1:** Un-housed
- **6:** Housed

**4** Blade Coating:<sup>2</sup>

- **T:** Low Energy (Teflon®)

<sup>2</sup> Other blade options may be available in the future.

# Shutter Timing *(when equipped)*

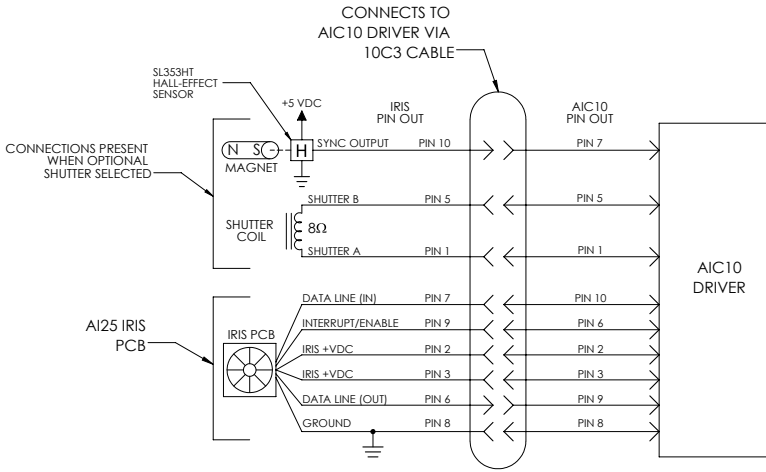


## DSS25B (w/ AIC10 and Teflon® coated blades)

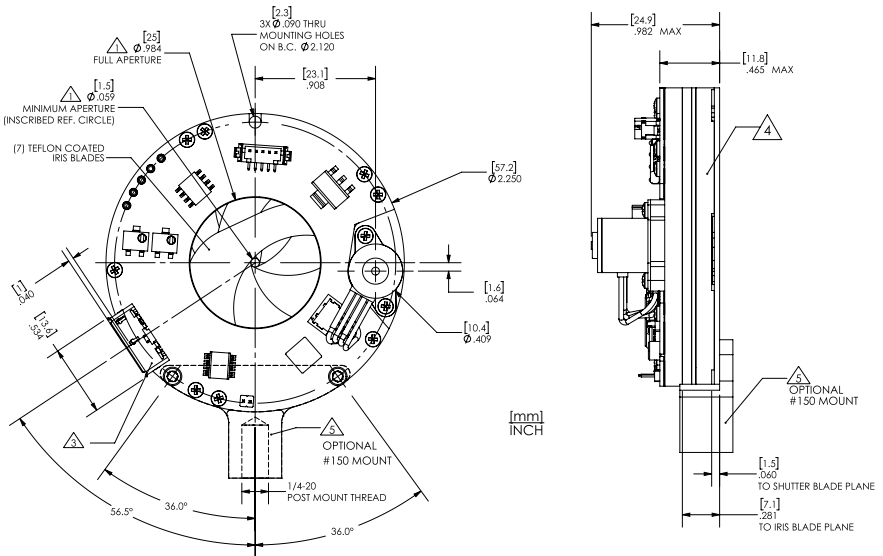
## Time (msec.)

O - A	Delay time on opening after current applied	13.2
A - C	Transfer time on opening	12.6
O - C	Total opening time	25.8
C - E	Min. dwell time with min. input pulse	23.2
B - F	Min. equivalent exp. time	36.6
D - E	Delay time on closing after current applied	14.0
E - G	Transfer time on closing	14.0
A - G	Total window time	50.8
MET	Min. exposure time	35.0
TEP	Typical exposure pulse	>35.0

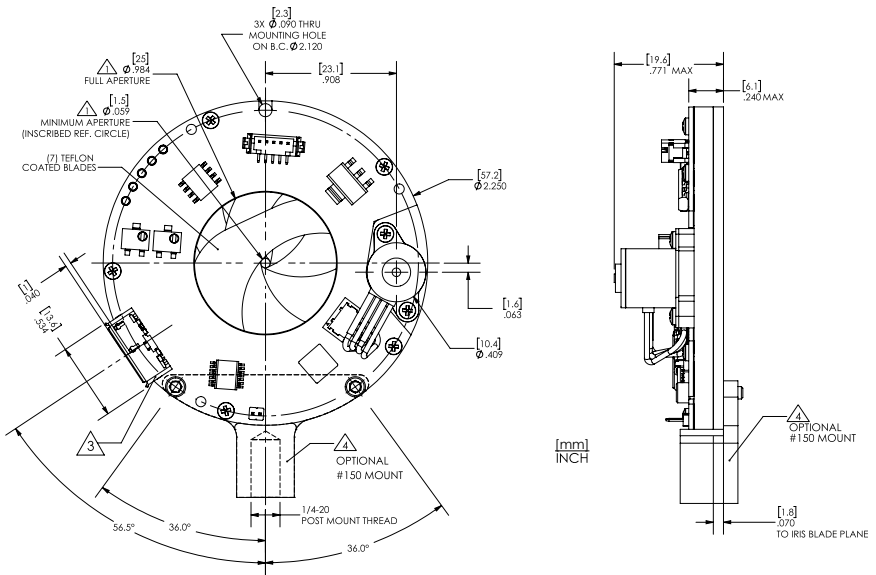
# AI25 Pin Connections



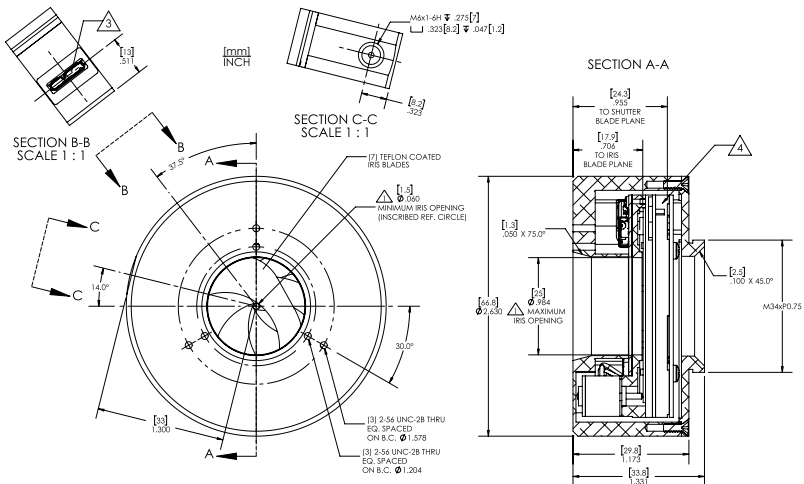
## AI25S1T (Un-housed - w/ Shutter Attachment)



# AI25N1T (Un-housed)



# AI25S6T (Housed - w/ Shutter Attachment)



# AIC10 Specifications



- 1 Power LED
- 2 Shutter / Sync Active LED
- 3 Display (Backlit LCD)
- 4 Shutter Activation
- 5 Iris - Full Open
- 6 Iris - Full Close
- 7 Increase Step / Menu Up
- 8 Select / Accept
- 9 Menu
- 10 Saved Location 1
- 11 Iris Input Mode
- 12 Local / Remote Mode Selection
- 13 Decrease Step / Menu Down
- 14 Calibrate Iris
- 15 Back / Return
- 16 Saved Location 2

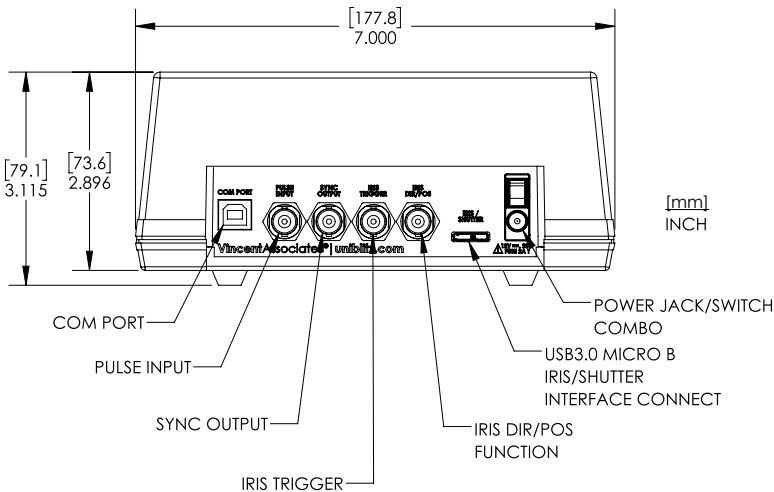


# What's Included

- AIC10 Iris Controller
- Manual (included on flash drive)
- 10C3 iris/shutter interconnect cable (3.0 m) - For interfacing AIC10 with iris/shutter
- USB-AB Cable (1.0 m) - For interfacing with computer
- PS12 Power Supply w/ US & Euro line cords



## AIC10 Rear Panel



# Contact Us

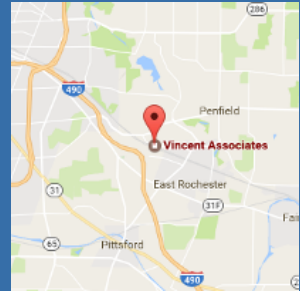
## Vincent Associates

**Tel:** +1 (585) 385-5930

**Website:** [www.uniblitz.com](http://www.uniblitz.com)

**Email:** [info@uniblitz.com](mailto:info@uniblitz.com)

803 Linden Ave. Rochester, NY, 14625



# Global Representatives

Australia/New Zealand

### **Adept Turnkey**

**Tel:** +61 (08) 9242 5411

[www.adept.net.au](http://www.adept.net.au)

Canada

### **Delta Photonics**

**Tel:** (416) 204-0115

[www.deltaphotonics.com](http://www.deltaphotonics.com)

[info@deltaphotonics.com](mailto:info@deltaphotonics.com)

China

### **ONSET Electro-Optics**

**Tel:** +86-512-6866-7233

[www.onset-eo.com](http://www.onset-eo.com)

[sales@onset-eo.com](mailto:sales@onset-eo.com)

France

### **Polytec**

**Tel:** +33 (0) 1 49 65 69 00

[www.polytec.com](http://www.polytec.com)

[e.dzamastagic@polytec.fr](mailto:e.dzamastagic@polytec.fr)

France

### **Acal BFi France**

**Tel:** +33 1 60 79 59 00

[www.acalbfi.com/se/](http://www.acalbfi.com/se/)

[photonique.fr@acalbfi.fr](mailto:photonique.fr@acalbfi.fr)

Germany

### **Acal BFi**

**Tel:** +49 (0) 8142 6520 0

[www.acalbfi.com/de/](http://www.acalbfi.com/de/)

[sales-de@acalbfi.de](mailto:sales-de@acalbfi.de)

Japan

### **Ad Science Inc.**

**Tel:** +81-47-434-2090

[www.ads-img.co.jp](http://www.ads-img.co.jp)

[ads-contact@ads-img.co.jp](mailto:ads-contact@ads-img.co.jp)

Taiwan

### **ONSET Electro-Optics**

**Tel:** +886-2-8919-1688

[www.onset-eo.com](http://www.onset-eo.com)

[sales@onset-eo.com](mailto:sales@onset-eo.com)

United Kingdom

### **Acal BFi UK**

**Tel:** +44 (0) 1189 788 878

[www.acalbfi.com/uk/](http://www.acalbfi.com/uk/)

[sales-uk@acalbfi.co.uk](mailto:sales-uk@acalbfi.co.uk)

# Notes

**Questions?** Please visit our website or  
email us at [info@uniblitz.com](mailto:info@uniblitz.com).

[www.uniblitz.com](http://www.uniblitz.com)

