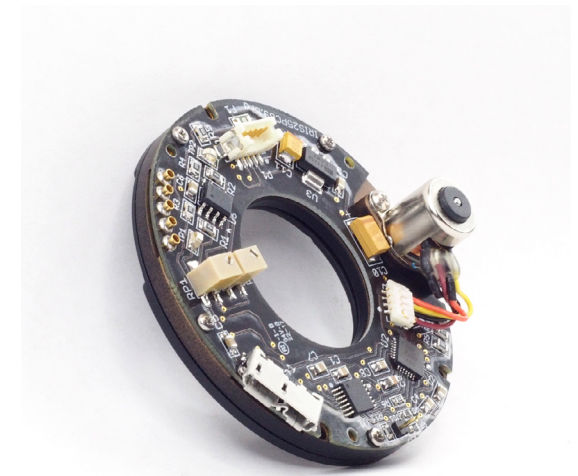


Uniblitz® AI25

1.5 - 25.0 mm Motorized Iris Diaphragm (Auto Iris)



Overview

The Uniblitz AI25 is a motorized iris diaphragm (auto iris) that allows for the remote control of a variable 25 mm aperture. The iris's aperture closes down to 1.5 mm, and an optional shutter attachment allows users to fully close the aperture. The AI25's low-profile form-factor means that it can be used in applications where spacial limitations are a consideration. An optional housing is available which gives the AI25 a compact package with no externally protruding components and two flat mounting surfaces.

Need Support? Please [visit our website](#) or email us at info@uniblitz.com.

Tel: 585-385-5930 | Toll-Free: 800-828-6972 | Fax: 585-385-6004 | 803 Linden Ave. Rochester, NY 14625

Updated 3/18 | Datasheet Version 5.2 | ©2018 Vincent Associates

Key Features

- Operation Range:
1.5 - 25.0 mm
- Closing speed:
0.22 seconds
- Resolution (mm/step):
0.44 ± 0.33
- Optional high speed shutter attachment
- **RoHS Compliant**
- Configured for the **AIC10 Iris Controller**

Product Options

AI25 **2** **3** **4**

Ex: AI25S6T

1 Iris Series:

- **AI25**

2 Shutter Attachment:

- **N:** Omitted
- **S:** Included

3 Housing:

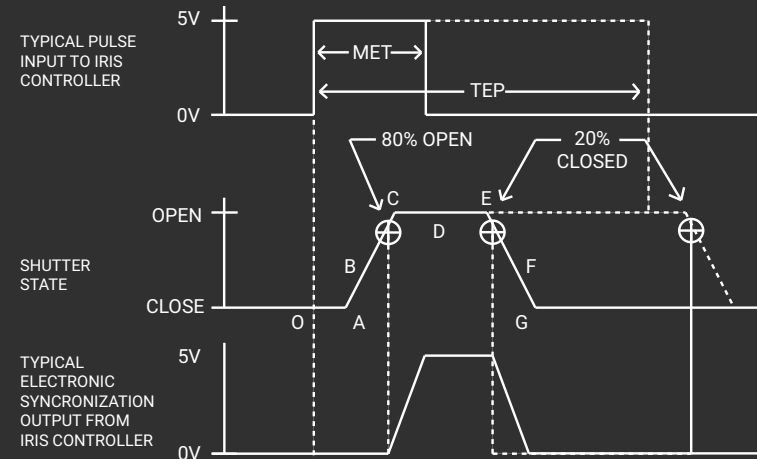
- **1:** Un-housed
- **6:** Housed

4 Blade Coating: ¹

- **T:** Low Energy (Teflon®)

¹ Other blade coating options may be available in the future.

Shutter Timing *(when equipped)*



DSS25B (w/ AIC10 and Teflon® coated blades)

Time (msec.)

O - A	Delay time on opening after current applied	13.2
A - C	Transfer time on opening	12.6
O - C	Total opening time	25.8
C - E	Min. dwell time with min. input pulse	23.2
B - F	Min. equivalent exp. time	36.6
D - E	Delay time on closing after current applied	14.0
E - G	Transfer time on closing	14.0
A - G	Total window time	50.8
MET	Min. exposure time	35.0
TEP	Typical exposure pulse	>35.0

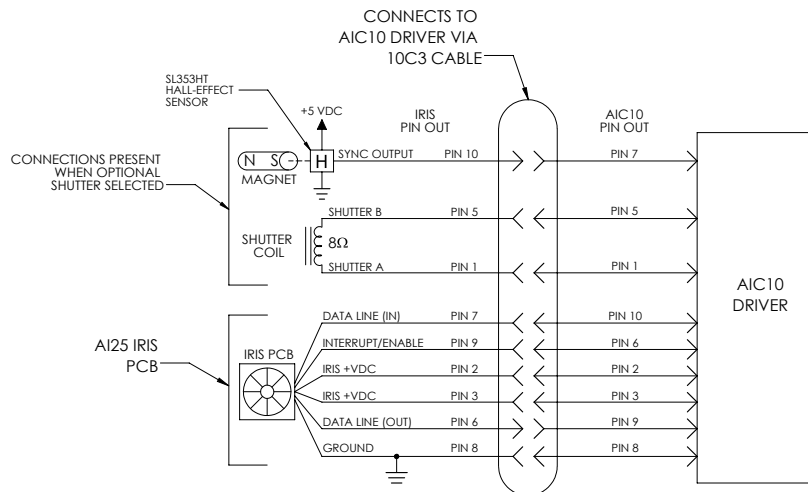
Technical Specifications

Number of Steps ²	Resolution (mm/step)	Operation Range (mm)	Closing Speed (min to max)
54	0.44 ± 0.33	1.5 - 25.0	0.22 seconds

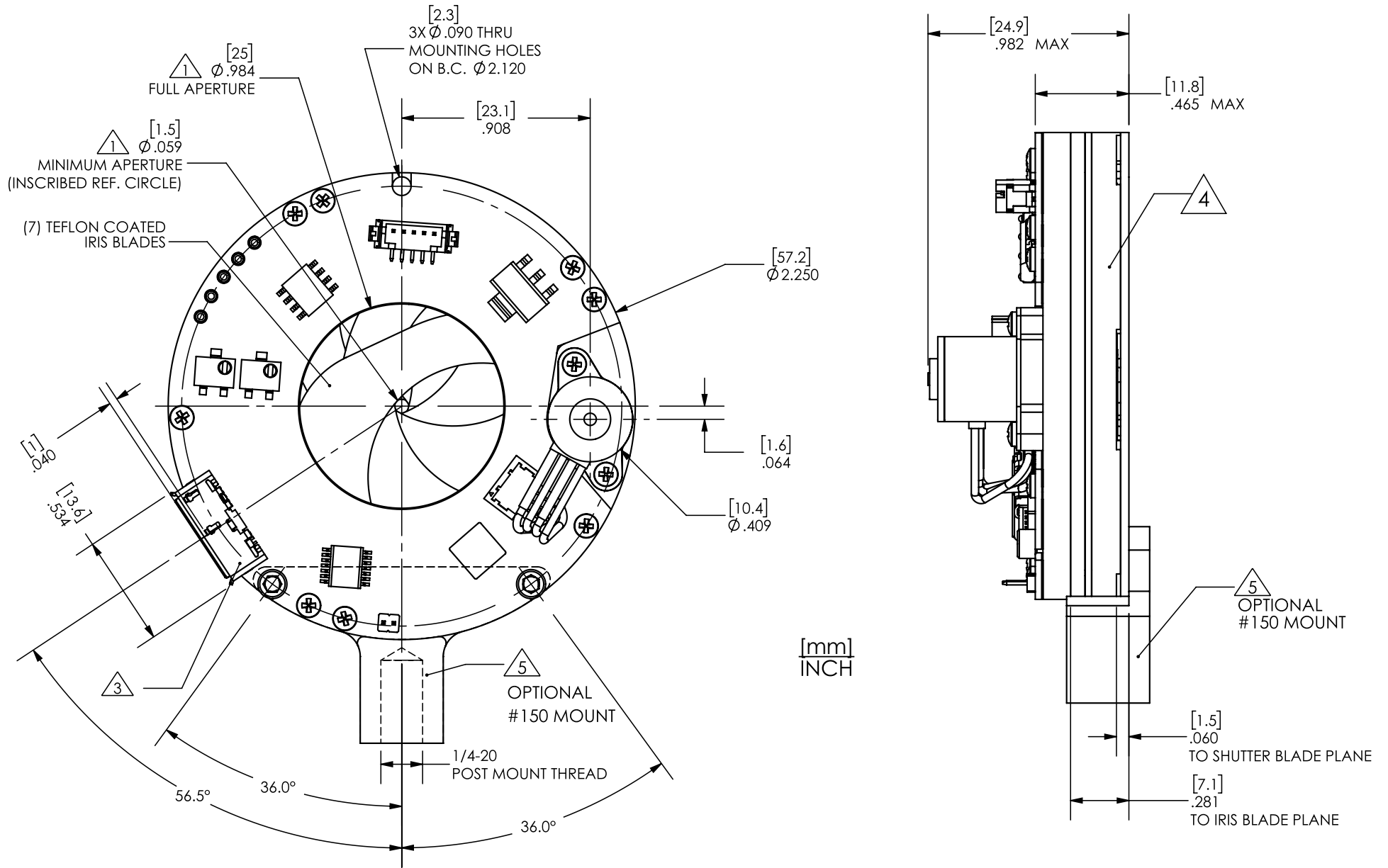
² A step is equal to a single movement of the iris blades/aperture (while in the "Fine" resolution mode).

Series	Weight (Un-housed)	Weight (W/ Shutter)	Weight (Housed W/ Shutter)	Operating Temp.	Number of Iris Blades
AI25	1.31 oz (37.20 g)	2.00 oz (56.80 g)	5.82 oz (164.90 g)	-10 - 65 °C	7

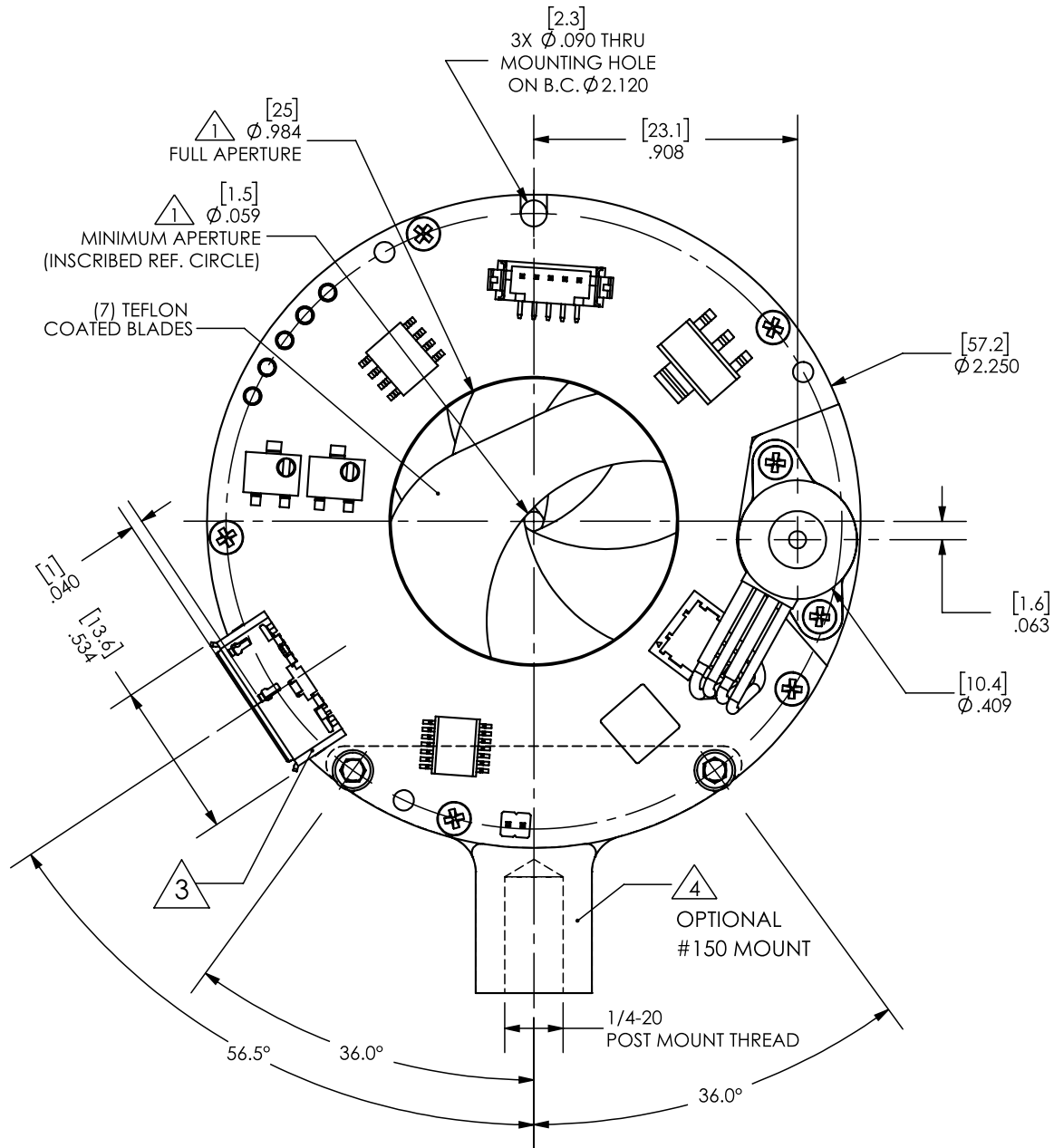
AI25 Pin Connections



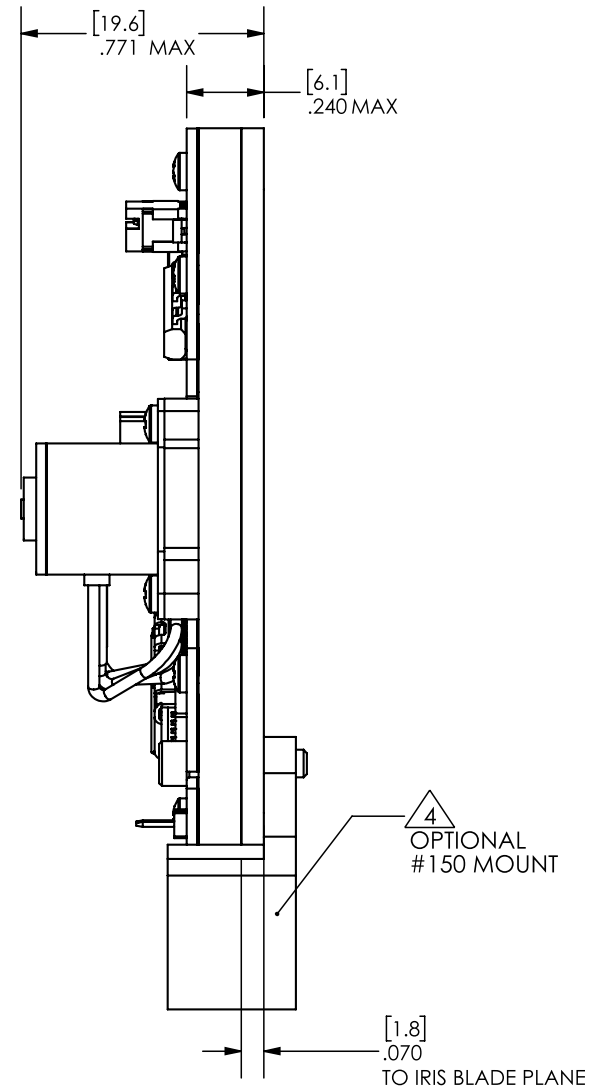
Technical Drawings - AI25S1T (Un-housed - w/ Shutter Attachment)



Technical Drawings - AI25N1T (Un-housed)



[mm]
INCH



Technical Drawings - AI25S6T *(Housed - w/ Shutter Attachment)*

