

# Uniblitz® XRS6

6mm Uni-Stable X-ray Shutter



## Overview

The Uniblitz XRS6 has been designed specifically for x-ray switching applications. The innovative platinum-iridium (PtIr) blade design allows beam extinction of 90% up to 30 keV x-ray energy (based upon the tenth value extinction of PtIr). The XRS6 is well suited for applications such as x-ray crystallography, medical x-ray imaging, etc.

Uni-stable shutter devices, like the XRS6, require power to hold the blades in the open state.

**Need Support?** Please [visit our website](#) or email us at [info@uniblitz.com](mailto:info@uniblitz.com).

Tel: 585-385-5930 | Toll-Free: 800-828-6972 | Fax: 585-385-6004 | 803 Linden Ave. Rochester, NY 14625  
Updated 1/17 | Datasheet Version 5.1 | ©2017 Vincent Associates

## Key Features

- 6mm aperture
- Uni-stable operation
- Capable of blocking x-ray energy (30 KeV)
- **RoHS Compliant**
- Transfer time on opening:  
**3.2 milliseconds**
- Total opening time:  
**4.4 milliseconds**
- Configured for the **VCM-D1 Shutter Driver**

# Product Options

XRS6 2 3 4 5 6 - 7 - 8

Ex: XRS6S2P0-EC-21

## 1 Shutter Series:

- **XRS6**

## 2 Driver Compatibility:

- **S:** Use with VCM-D1 (Std.)
- **E:** Use with D880C or VED24

## 3 Housing:

- **1:** Un-Housed
- **2:** #2 Housing

## 4 Blade Coating:

- **P:** 0.01" thick PtIr (10% iridium, 90% platinum)

## 5 Electronic Sync:

- **0:** Omitted
- **1:** Included

## 6 Connector:

- **L:** 18" flying leads (*Un-housed only*)
- Leave blank for 7-pin Wire Pro connector

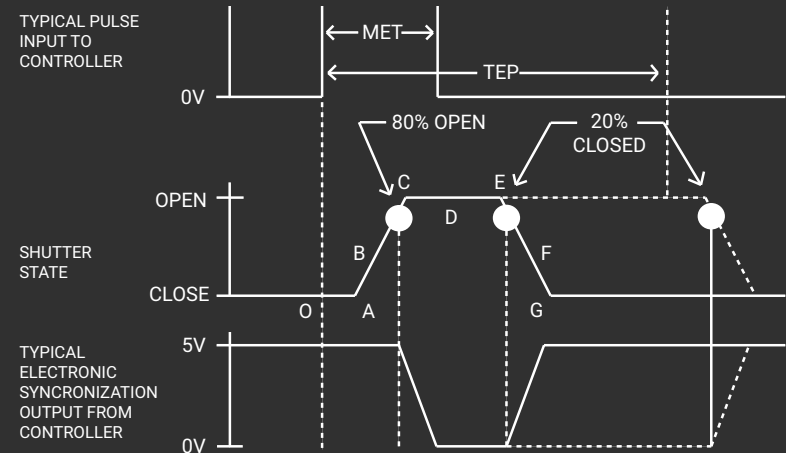
## 7 Encapsulated Coil:

- **EC:** Included
- Leave blank if not required

## 8 Mount: (#2 housing only)

- **21:** Zeiss Axiovert
- **24:** Olympus BX/IX
- **27:** Nikon
- **105:** C-Mount (Male)
- **106:** C-Mount (Female)
- Leave blank if not required

# Shutter Timing



## XRS6 (w/ VCM-D1 driver and PtIr blades)

## Time (msec.)

O - A	Delay time on opening after current applied	1.2
A - C	Transfer time on opening	3.2
O - C	Total opening time	4.4
C - E	Min. dwell time with min. input pulse	5.6
B - F	Min. equivalent exp. time	2.0
E - G	Transfer time on closing	3.8
A - G	Total window time	9.0
MET	Min. exposure time	5.0
TEP	Typical exposure pulse	>6.4

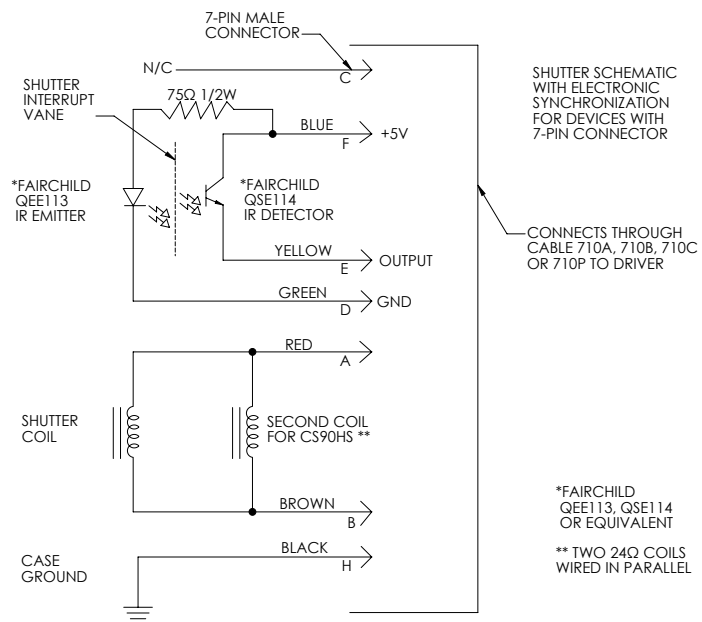
# Technical Specifications

Coil Resistance	Voltage to Open	Hold Voltage (Nominal) <sup>1</sup>
48 Ω	+65 VDC	+10 VDC

<sup>1</sup> Voltage level required across actuator coil when being held in the open position.

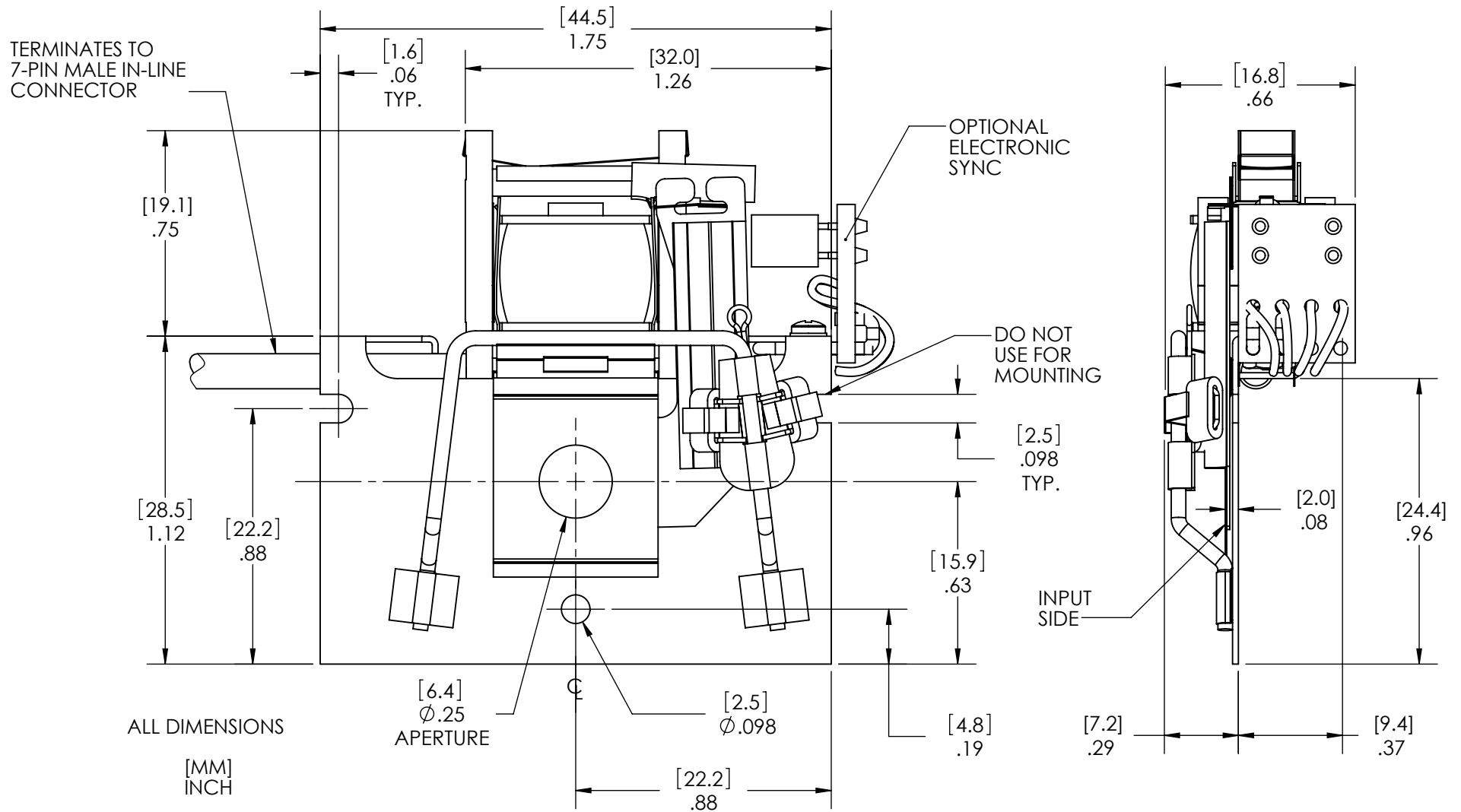
<sup>2</sup> (Continuous/Burst) Continuous frequency rating specified at shutter's minimum exposure pulse. Burst frequency rating specified for four (4) seconds maximum with one (1) minute minimum between bursts.

Series	Weight (Unhoused)	Weight (Housed)	Operating Temp.	Max. Opening Bounce	Max. Closing Bounce	Max. Freq. of Operation <sup>2</sup>	Number of Shutter Blades
XRS6	1.20 oz (0.04 kg)	7.46 oz (0.21 kg)	0 - 80 °C	15%	5%	10 Hz / 50 Hz	1

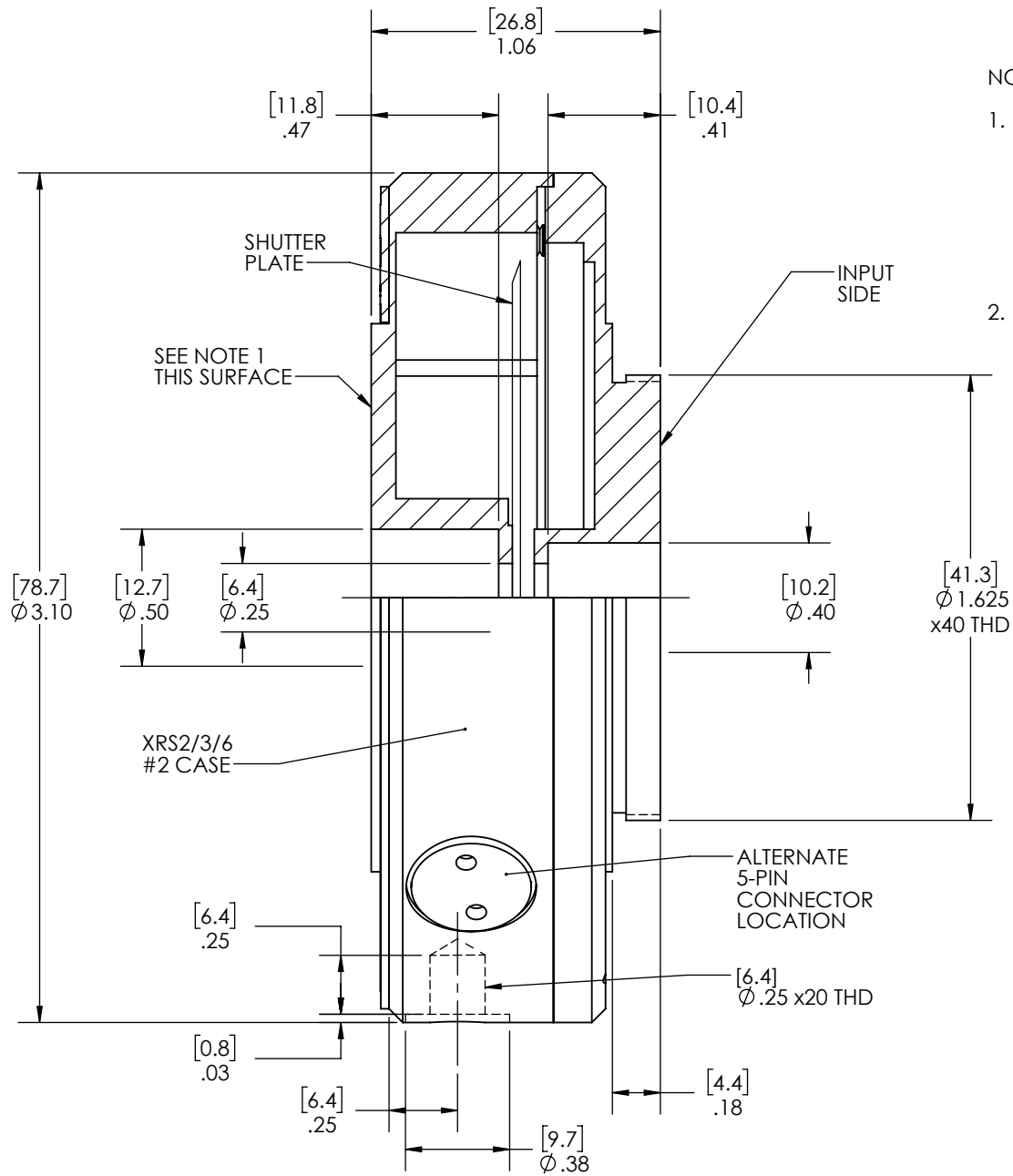


The electronic synchronization system provides a feedback signal (through the driver utilized) after the shutter transfers to the open state. The system incorporates an infrared emitting diode, an infrared sensitive detecting transistor, and an interrupting vane. The vane is attached to the shutter so as to block the light path between the emitter and detector in the closed position. When the shutter transfers to the 80% open position, the vane is removed from the infrared light path, allowing the emitter to switch the detector to the active state. For the XRS6, this system uses a similar activation flag attached to the mechanism, which triggers a reflective emitter/detector device. **No connection to the designated synchronization pins when no electronic sync. is selected.**

# Technical Drawings - Un-housed XRS6



# Technical Drawings - Housed XRS6



## NOTES:

- (3) #2-56 MOUNTING HOLES ON A  $\varnothing 1.204$  BOLT CIRCLE  $120^\circ$  APART.  
(3) #2-56 MOUNTING HOLES ON A  $\varnothing 1.578$  BOLT CIRCLE  $120^\circ$  APART.
- ALL DIMENSIONS [MM] INCH.

# Technical Drawings - XRS6 Connector Layout

