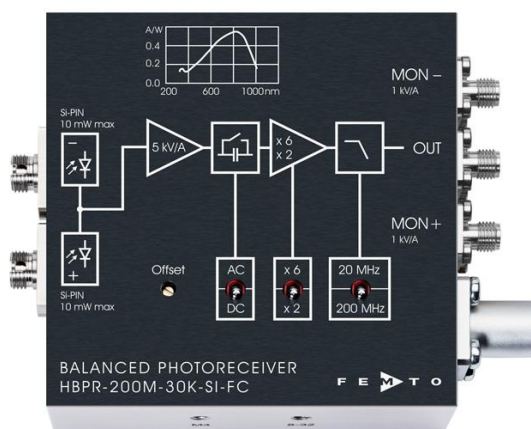


High-Speed Balanced Photoreceiver



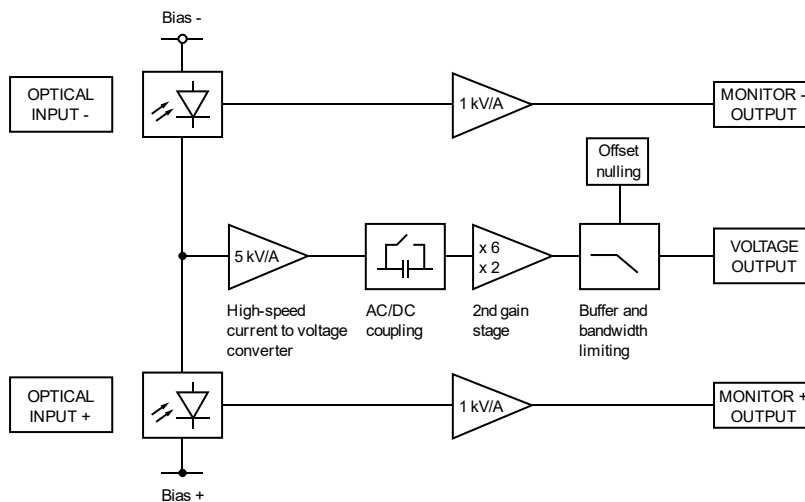
Features

- Bandwidth DC to 200 MHz
- Common-Mode Rejection Ratio (CMRR) 45 dB typ.
- SI-PIN photodiodes
- FC fiber optic inputs
- Spectral range 320 - 1000 nm
- Very low NEP, down to 7.8 pW/√Hz
- Transimpedance gain switchable 10 x 10³ V/A, 30 x 10³ V/A
- High dynamic input range up to 2 x 10 mW balanced optical power
- Fast monitor outputs with 10 MHz bandwidth and 1 x 10³ V/A gain
- Switchable low pass filter for minimizing wideband noise
- UNC 8-32 and M4 tapped holes for mounting on standard posts with metric and imperial thread

Applications

- Spectroscopy
- Heterodyne detection
- Optical coherence tomography (OCT)
- Optical delay measurement
- Differential optical front-end for oscilloscopes, spectrum analyzers, A/D converters and RF lock-in amplifiers

Block Diagram



High-Speed Balanced Photoreceiver

Available Input Version

HBPR-200M-30K-SI-FC



fix/permanent FC fiber connector for high coupling efficiency, excellent conversion gain accuracy and common mode rejection ratio (CMRR).

Related Models

Various free space or fiber coupled HBPR models, with bandwidth up to 500 MHz, in the spectral range from 320 nm to 1700 nm are available.

Example: FST input



1.035"-40 threaded flange for free space applications, compatible with many optical standard accessories.

See further information and separate datasheets on www.femto.de

Available Accessory

PS-15



power supply, input: 100 - 240 VAC, output: ± 15 VDC, $+400/-250$ mA

Specifications

Test conditions $V_s = \pm 15$ V, $T_A = 25$ °C, signal output terminated with 50Ω , Monitor outputs terminated with $1 M\Omega$

Gain

Transimpedance gain 10×10^3 V/A (2nd gain x2), 30×10^3 V/A (2nd gain x6) switchable (@ 50Ω load)

Gain accuracy ± 1 % electrical

Conversion gain 5.4×10^3 V/W typ. (@ 2nd gain x2, 850 nm)
 16.2×10^3 V/W typ. (@ 2nd gain x6, 850 nm)

Common mode rejection ratio (CMRR) 50 dB typ. ($f \leq 100$ MHz)
45 dB typ. ($f \leq 200$ MHz)

Frequency Response

Lower cut-off frequency DC / 10 Hz, switchable

Upper cut-off frequency 200 MHz, switchable to 20 MHz

Time Response

Rise/fall time (10 % - 90 %) 1.75 ns (@ 2nd gain x2); 1.85 ns (@ 2nd gain x6)
17.5 ns (low pass filter 20 MHz)

Input

Noise equivalent power (NEP) minimum 7.8 pW/ $\sqrt{\text{Hz}}$ (@ 850 nm)
8.8 pW/ $\sqrt{\text{Hz}}$ (@ 850 nm, 20 MHz)
19.0 pW/ $\sqrt{\text{Hz}}$ (@ 850 nm, 100 MHz)
33.0 pW/ $\sqrt{\text{Hz}}$ (@ 850 nm, 200 MHz)

Maximum differential CW power for linear amplification 185 μW (@ 2nd gain x2, DC-coupled, 850 nm)
62 μW (@ 2nd gain x6, DC-coupled, 850 nm)
850 μW (@ AC-coupled, 850 nm)

Max. optical CW balanced power (common mode power) 10 mW (on each photodiode, @ 850 nm)

Monitor optical saturation power (limited by Maximum Rating) 12 mW (@ 850 nm)

High-Speed Balanced Photoreceiver

Specifications (continued)

Detector	Detector	SI-PIN photodiode FC fiber connector
	Active area	Ø 800 µm suitable for fibers up to 400 µm core diameter
Signal Output	Spectral range	320 - 1000 nm
	Sensitivity	0.54 A/W typ. (@ 850 nm)
	Output voltage range	±1.0 V (@ 50 Ω load) for linear operation and low harmonic distortion
	Max. output voltage	±2.0 V (@ 50 Ω load)
Monitor Outputs	Offset voltage compensation	±100 mV typ., adjustable by offset potentiometer
	Output impedance	50 Ω (terminate with 50 Ω load)
	Slew rate	2800 V/µs
	Max. output current	70 mA
	Output return loss S22	-30 dB @ < 100 MHz -20 dB @ < 800 MHz
	Output noise	2.2 mV _{RMS} (15 mV _{PP}) (@ 2 nd gain x2) 6.0 mV _{RMS} (40 mV _{PP}) (@ 2 nd gain x6) 0.3 mV _{RMS} (2.0 mV _{PP}) typ. (@ 2 nd gain x2, BW: 20 MHz) 0.8 mV _{RMS} (5.3 mV _{PP}) typ. (@ 2 nd gain x6, BW: 20 MHz) (@ 50 Ω load, no signal on detectors, measurement bandwidth 2 GHz)
	Monitor output gain	1 x 10 ³ V/A (@ ≥ 100 kΩ load)
	Monitor output voltage range	0 ... +10 V (@ ≥ 100 kΩ load)
	Monitor output impedance	50 Ω (terminate with ≥ 100 kΩ load)
	Monitor output max. output current	30 mA typ.
Power Supply	Monitor output bandwidth	DC ... 10 MHz
	Monitor output noise	0.6 mV _{RMS} (4 mV _{PP}) (@ 100 kΩ load, no signal on detectors, measurement bandwidth 200 MHz)
Case	Supply voltage	±15 V (±14.5 V ... ±16.5 V)
	Supply current	-90 / +120 mA (depends on operating conditions, recommended power supply capability min. ±200 mA)
Temperature Range	Weight	350 g (0.77 lbs)
	Material	AlMg3Mn, nickel-plated
Absolute Maximum Ratings	Storage temperature	-40 ... +85 °C
	Operating temperature	0 ... +60 °C
	Max. CW power (averaged)	12 mW (on each photodiode)
	Power supply voltage	±20 V

High-Speed Balanced Photoreceiver

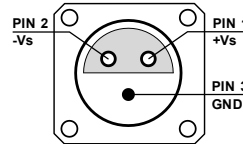
Connectors

Input FC fiber optic connector (FC/PC and FC/APC compatible)

Output SMA jack (female)

Power supply

Lemo® series 1S, 3-pin fixed socket
(mating plug type: FFA.1S.303.CLAC52)



Pin 1: +15 V
Pin 2: -15 V
Pin 3: GND

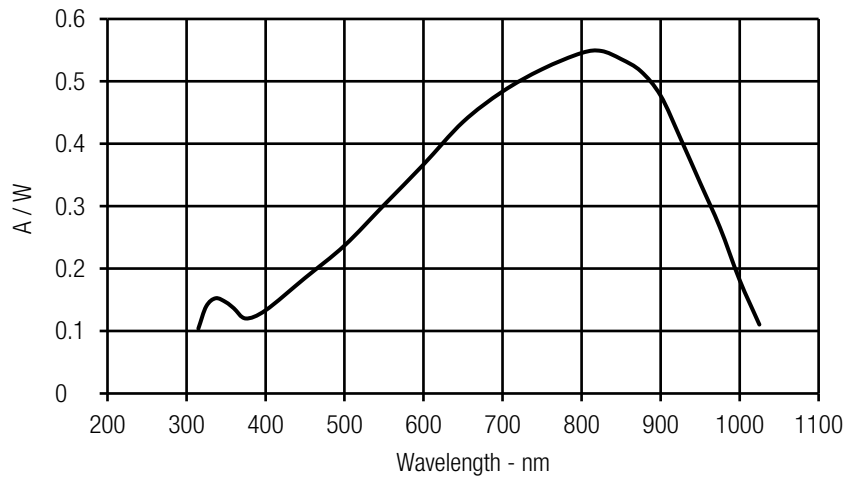
Scope of Delivery

HBPR-200M-30K-SI-FC, Lemo® 3-pin connector, 3 x adapter SMA (male) to BNC (female), datasheet

Ordering Information

HBPR-200M-30K-SI-FC FC fiber optic connector (FC/PC and FC/APC compatible)

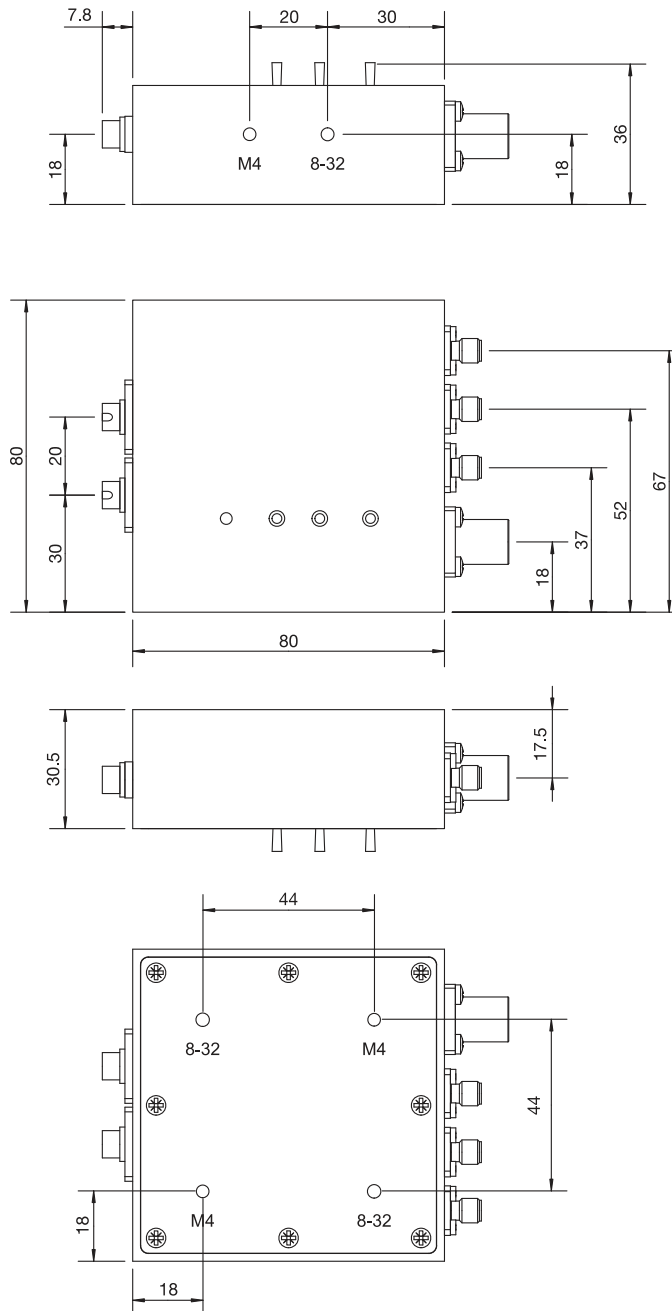
Spectral Responsivity



High-Speed Balanced Photoreceiver

Dimensions

Case dimensions for HBPR-200M-30K-SI-FC:



All measures in mm unless otherwise noted.

The bottom plate may be rotated to match the appropriate mounting thread to the optical axis by unscrewing the 8 screws.

FEMTO Messtechnik GmbH
 Klosterstr. 64
 10179 Berlin · Germany
 Phone: +49 30 280 4711-0
 Fax: +49 30 280 4711-11
 Email: info@femto.de
 www.femto.de

Specifications are subject to change without notice. Information provided herein is believed to be accurate and reliable. However, no responsibility is assumed by FEMTO Messtechnik GmbH for its use, nor for any infringement of patents or other rights of third parties which may result from its use. No license is granted by implication or otherwise under any patent or patent rights of FEMTO Messtechnik GmbH. Product names mentioned may also be trademarks used here for identification purposes only.

© by FEMTO Messtechnik GmbH · Printed in Germany