

High-Speed Balanced Photoreceiver



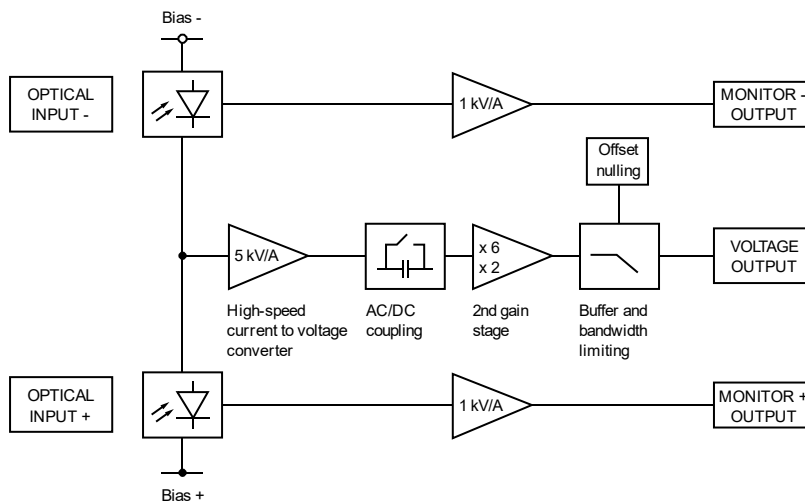
Features

- Bandwidth DC to 200 MHz
- Common-Mode Rejection Ratio (CMRR) 45 dB typ.
- SI-PIN detectors, 0.8 mm active diameter
- Spectral range 320 - 1000 nm
- Very low NEP, down to 7.8 pW/√Hz
- Transimpedance gain switchable 10 x 10³ V/A, 30 x 10³ V/A
- High dynamic input range up to 2 x 10 mW balanced optical power
- Fast monitor outputs with 10 MHz bandwidth and 1 x 10³ V/A gain
- Switchable low pass filter for minimizing wideband noise
- Free-space input 1.035"-40 threaded, alternatively 25 mm diameter unthreaded
- Easily convertible to fiber optic input (FC and FSMA) with optionally available screw-on adapters
- UNC 8-32 and M4 tapped holes for mounting on standard posts with metric and imperial thread

Applications

- Spectroscopy
- Heterodyne detection
- Optical coherence tomography (OCT)
- Optical delay measurement
- Differential optical front-end for oscilloscopes, spectrum analyzers, A/D converters and RF lock-in amplifiers

Block Diagram



High-Speed Balanced Photoreceiver

Available Input Versions

HBPR-200M-30K-SI-FST



Picture shows two 1.035"-40 threaded flanges with internally threaded coupler rings mounted (outer diameter 30 mm)

1.035"-40 threaded flange for free space applications, compatible with many optical standard accessories.

Optional: Fiber adapters PRA-FC, PRA-FCA, PRA-FSMA



HBPR-200M-30K-SI-FS



25 mm dia. unthreaded flange for free space applications compatible with many optical standard accessories.

Related Models

Various free space or fiber coupled HBPR models, with bandwidth up to 500 MHz, in the spectral range from 320 nm to 1700 nm are available.

Example: FC input



fix/permanent FC fiber connector for high coupling efficiency, excellent conversion gain accuracy and common mode rejection ratio (CMRR).

See further information and separate datasheets on www.femto.de

Available Accessories

PRA-FC
PRA-FCA
PRA-FSMA



fiber-adapter with external 1.035"-40 thread (suitable for FST models only)

PS-15



power supply, input: 100 - 240 VAC, output: ±15 VDC, +400/-250 mA

High-Speed Balanced Photoreceiver

Specifications	<p>Test conditions $V_S = \pm 15\text{ V}$, $T_A = 25\text{ }^\circ\text{C}$, signal output terminated with $50\ \Omega$, Monitor outputs terminated with $1\ \text{M}\Omega$</p>
Gain	<p>Transimpedance gain $10 \times 10^3\ \text{V/A}$ (2nd gain x2), $30 \times 10^3\ \text{V/A}$ (2nd gain x6) switchable (@ $50\ \Omega$ load)</p> <p>Gain accuracy $\pm 1\%$ electrical</p> <p>Conversion gain $5.4 \times 10^3\ \text{V/W}$ typ. (@ 2nd gain x2, 850 nm) $16.2 \times 10^3\ \text{V/W}$ typ. (@ 2nd gain x6, 850 nm)</p> <p>Common mode rejection ratio (CMRR) 50 dB typ. ($f \leq 100\ \text{MHz}$) 45 dB typ. ($f \leq 200\ \text{MHz}$)</p>
Frequency Response	<p>Lower cut-off frequency DC / 10 Hz, switchable</p> <p>Upper cut-off frequency 200 MHz, switchable to 20 MHz</p>
Time Response	<p>Rise/fall time (10% - 90%) 1.75 ns (@ 2nd gain x2); 1.85 ns (@ 2nd gain x6) 17.5 ns (low pass filter 20 MHz)</p>
Input	<p>Noise equivalent power (NEP) minimum $7.8\ \text{pW}/\sqrt{\text{Hz}}$ (@ 850 nm) $8.8\ \text{pW}/\sqrt{\text{Hz}}$ (@ 850 nm, 20 MHz) $19.0\ \text{pW}/\sqrt{\text{Hz}}$ (@ 850 nm, 100 MHz) $33.0\ \text{pW}/\sqrt{\text{Hz}}$ (@ 850 nm, 200 MHz)</p> <p>Maximum differential CW power for linear amplification $185\ \mu\text{W}$ (@ 2nd gain x2, DC-coupled, 850 nm) $62\ \mu\text{W}$ (@ 2nd gain x6, DC-coupled, 850 nm) $850\ \mu\text{W}$ (@ AC-coupled, 850 nm)</p> <p>Max. optical CW balanced power (common mode power) 10 mW (on each photodiode, @ 850 nm)</p> <p>Monitor optical saturation power (limited by Maximum Rating) 12 mW (@ 850 nm)</p>
Detector	<p>Detector SI-PIN photodiode</p> <p>Active area $\varnothing 800\ \mu\text{m}$</p> <p>Spectral range 320 - 1000 nm</p> <p>Sensitivity $0.54\ \text{A/W}$ typ. (@ 850 nm)</p>
Signal Output	<p>Output voltage range $\pm 1.0\ \text{V}$ (@ $50\ \Omega$ load) for linear operation and low harmonic distortion</p> <p>Max. output voltage $\pm 2.0\ \text{V}$ (@ $50\ \Omega$ load)</p> <p>Offset voltage compensation $\pm 100\ \text{mV}$ typ., adjustable by offset potentiometer</p> <p>Output impedance $50\ \Omega$ (terminate with $50\ \Omega$ load)</p> <p>Slew rate $2800\ \text{V}/\mu\text{s}$</p> <p>Max. output current 70 mA</p> <p>Output return loss S22 $-30\ \text{dB}$ @ $< 100\ \text{MHz}$ $-20\ \text{dB}$ @ $< 800\ \text{MHz}$</p> <p>Output noise $2.0\ \text{mV}_{\text{RMS}}$ ($13\ \text{mV}_{\text{PP}}$) (@ 2nd gain x2) $5.5\ \text{mV}_{\text{RMS}}$ ($36\ \text{mV}_{\text{PP}}$) (@ 2nd gain x6) $0.3\ \text{mV}_{\text{RMS}}$ ($2.0\ \text{mV}_{\text{PP}}$) typ. (@ 2nd gain x2, BW: 20 MHz) $0.8\ \text{mV}_{\text{RMS}}$ ($5.3\ \text{mV}_{\text{PP}}$) typ. (@ 2nd gain x6, BW: 20 MHz) (@ $50\ \Omega$ load, no signal on detectors, measurement bandwidth 2 GHz)</p>

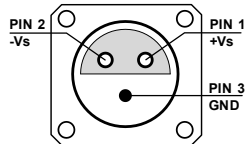
High-Speed Balanced Photoreceiver

Specifications (Continued)

Monitor Outputs	Monitor output gain	1×10^3 V/A (@ ≥ 100 k Ω load)
	Monitor output voltage range	0 ... +10 V (@ ≥ 100 k Ω load)
	Monitor output impedance	50 Ω (terminate with ≥ 100 k Ω load)
	Monitor output max. output current	30 mA typ.
	Monitor output bandwidth	DC ... 10 MHz
	Monitor output noise	0.6 mV _{RMS} (4 mV _{PP}) (@ 100 k Ω load, no signal on detectors, measurement bandwidth 200 MHz)
	Input Flange	Material
Coupler Ring (FST version only)	Material	1.4305 stainless steel, glass bead blasted
Power Supply	Supply voltage	± 15 V (± 14.5 V ... ± 16.5 V)
	Supply current	-90 / +120 mA (depends on operating conditions, recommended power supply capability min. ± 200 mA)
Case	Weight	410 g (0.9 lbs)
	Material	AlMg3Mn, nickel-plated
Temperature Range	Storage temperature	-40 ... +85 °C
	Operating temperature	0 ... +60 °C

Absolute Maximum Ratings	Max. CW power (averaged)	12 mW (on each photodiode)
	Power supply voltage	± 20 V

Connectors	Input	FS version	25 mm dia. unthreaded flange for free space applications
		FST version	1.035"-40 threaded flange for free space applications and for use with various types of optical standard accessories
	Output	SMA jack (female)	
	Power supply	Lemo® series 1S, 3-pin fixed socket (mating plug type: FFA.1S.303.CLAC52)	



Pin 1: +15 V

Pin 2: -15 V

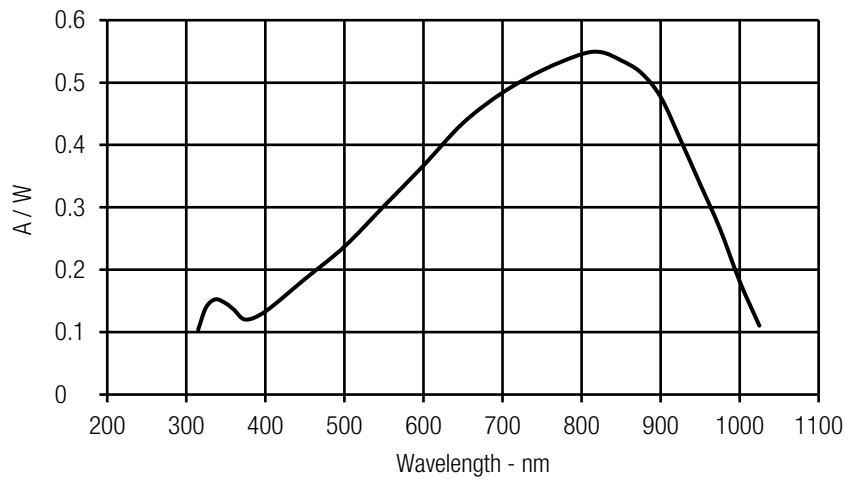
Pin 3: GND

Scope of Delivery	HBPR-200M-30K-SI, 2 x threaded coupler ring (FST version only), Lemo® 3-pin connector, 3 x adapter SMA (male) to BNC (female), datasheet	
-------------------	--	--

Ordering Information	HBPR-200M-30K-SI-FS	25 mm dia. unthreaded flange for free space applications
	HBPR-200M-30K-SI-FST	1.035"-40 threaded flange for free space applications and for use with various types of optical standard accessories

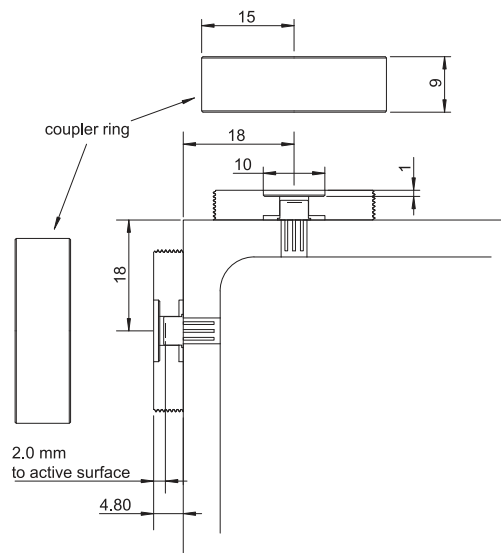
High-Speed Balanced Photoreceiver

Spectral Responsivity

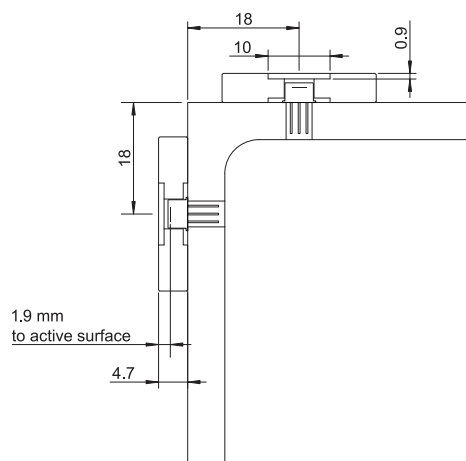


Detector Position

HBPR-200M-30K-SI-FST (1.035"-40 threaded free space input)



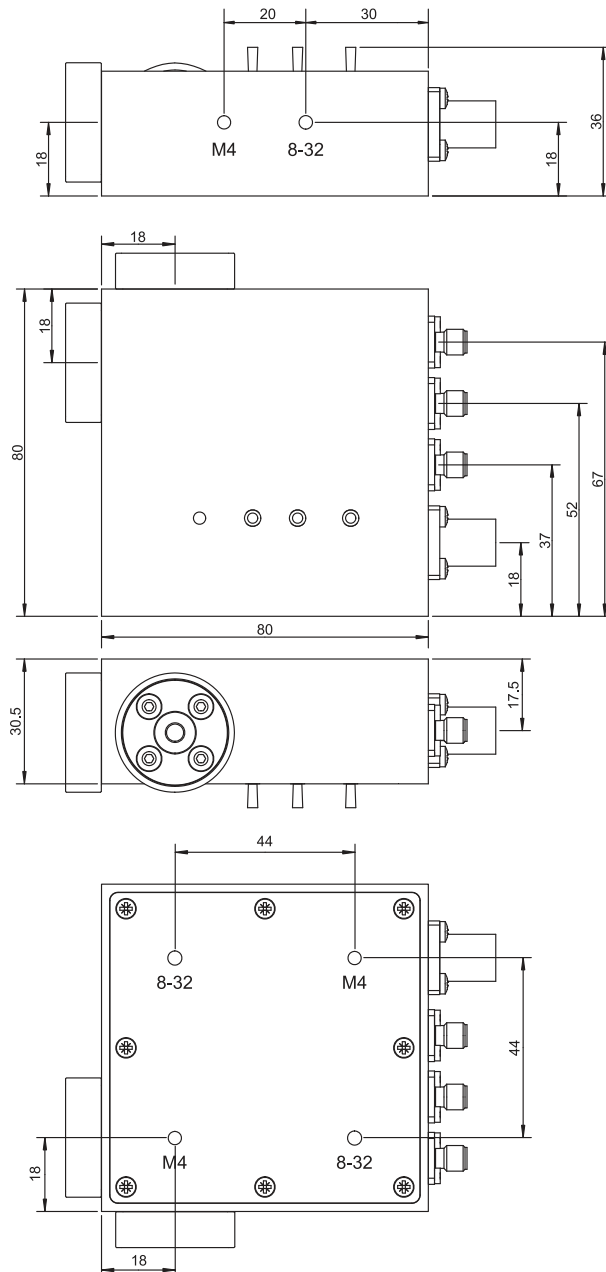
HBPR-200M-30K-SI-FS (25 mm dia. unthreaded free space input)



High-Speed Balanced Photoreceiver

Dimensions

Case dimensions for HBPR-200M-30K-SI (FS/FST model):



All measures in mm unless otherwise noted.

The bottom plate may be rotated to match the appropriate mounting thread to the optical axis by unscrewing the 8 screws.

FEMTO Messtechnik GmbH
 Klosterstr. 64
 10179 Berlin · Germany
 Phone: +49 30 280 4711-0
 Fax: +49 30 280 4711-11
 Email: info@femto.de
 www.femto.de

Specifications are subject to change without notice. Information provided herein is believed to be accurate and reliable. However, no responsibility is assumed by FEMTO Messtechnik GmbH for its use, nor for any infringement of patents or other rights of third parties which may result from its use. No license is granted by implication or otherwise under any patent or patent rights of FEMTO Messtechnik GmbH. Product names mentioned may also be trademarks used here for identification purposes only.

© by FEMTO Messtechnik GmbH · Printed in Germany