

Spanner Wrench for Fiber Adapter

Features

- **Spanner wrench for externally threaded fiber adapter series (PRA-FC, PRA-FSMA)**
- **Lightweight and durable material**
- **Allows adjustments in tight spaces**

Applications

- **Mounting of FEMTO fiber adapters to optical flanges with 1.035"-40 thread**

Scope of Delivery

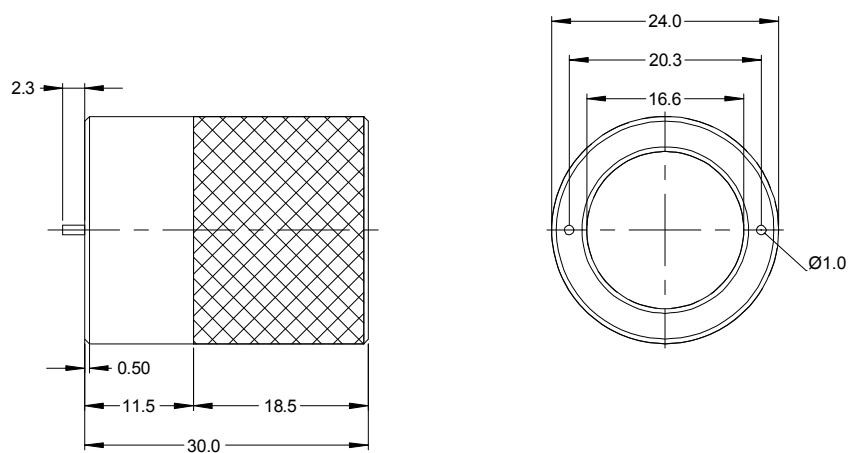
AT-W1, datasheet, transport package

Specifications

General Data

Material Al, anodized
 Weight 12 g (0.03 lb)

Dimensions



All measures in mm unless otherwise noted.

FEMTO Messtechnik GmbH
 Klosterstr. 64
 10179 Berlin · Germany
 Phone: +49 30 280 4711-0
 Fax: +49 30 280 4711-11
 Email: info@femto.de
 www.femto.de

Specifications are subject to change without notice. Information provided herein is believed to be accurate and reliable. However, no responsibility is assumed by FEMTO Messtechnik GmbH for its use, nor for any infringement of patents or other rights of third parties which may result from its use. No license is granted by implication or otherwise under any patent or patent rights of FEMTO Messtechnik GmbH. Product names mentioned may also be trademarks used here for identification purposes only.

© by FEMTO Messtechnik GmbH · Printed in Germany